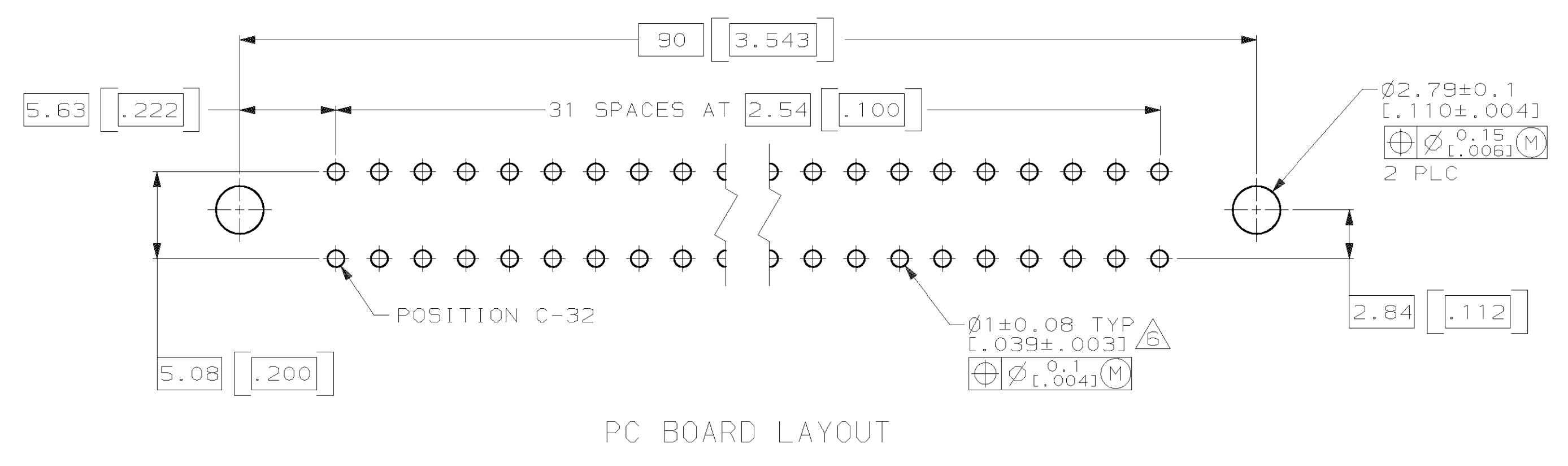
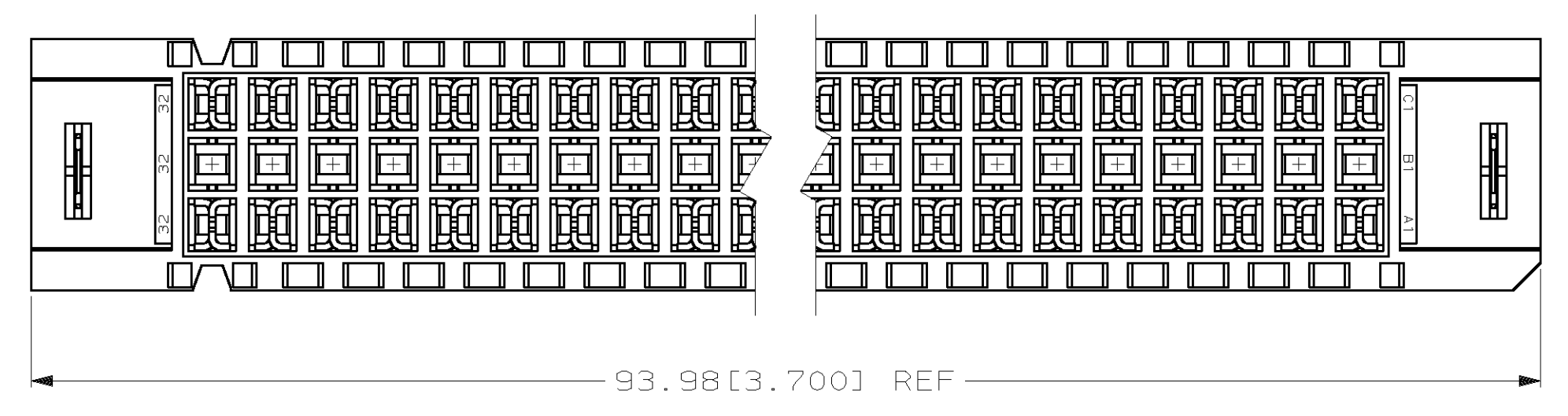
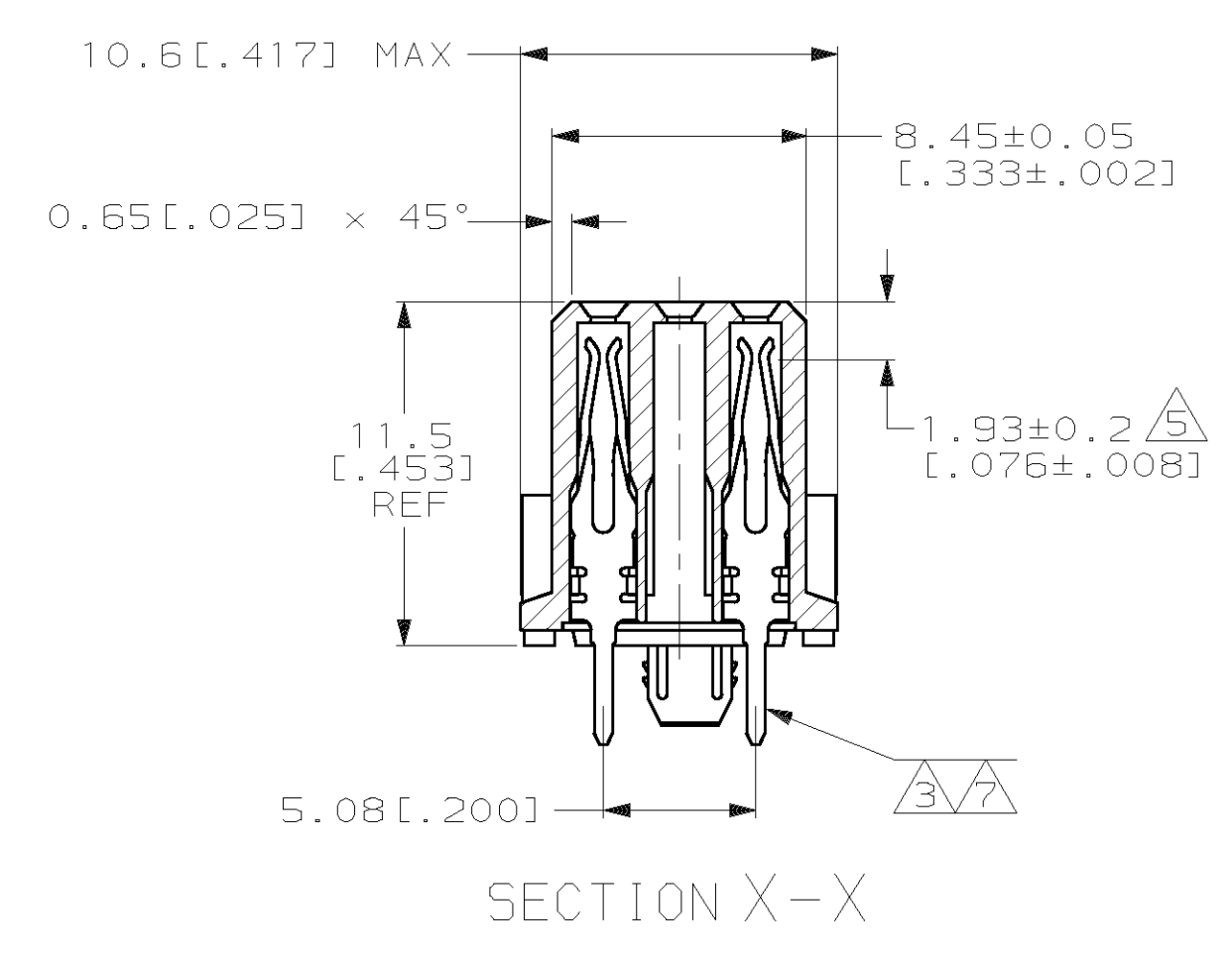
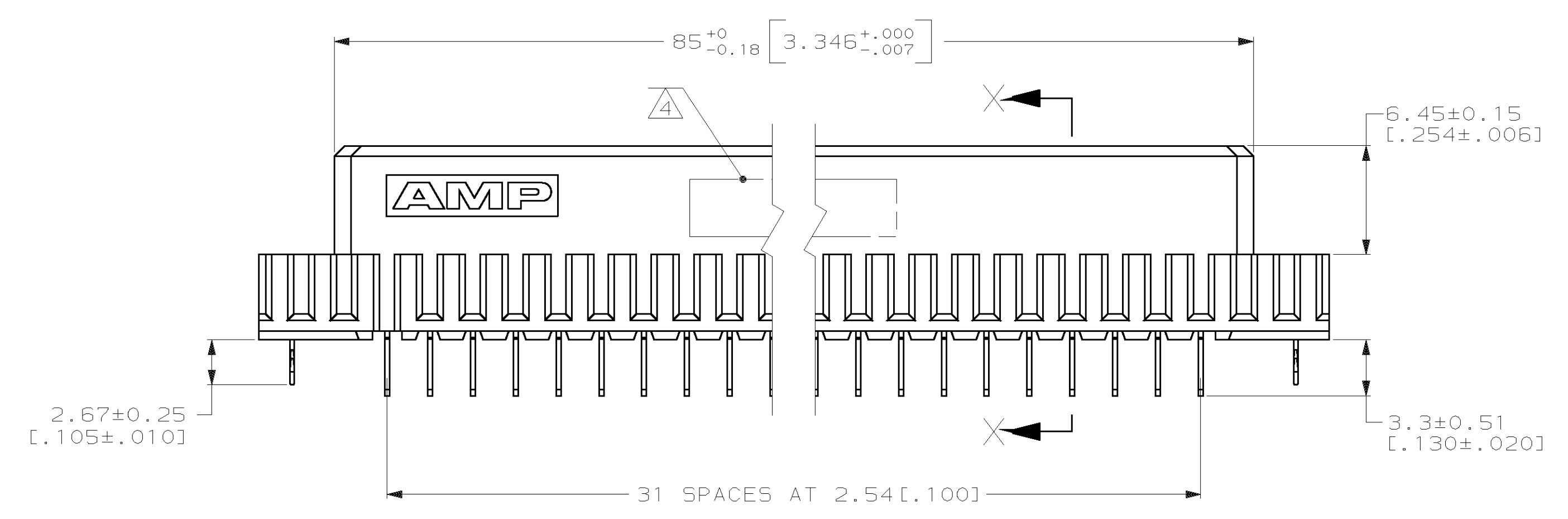
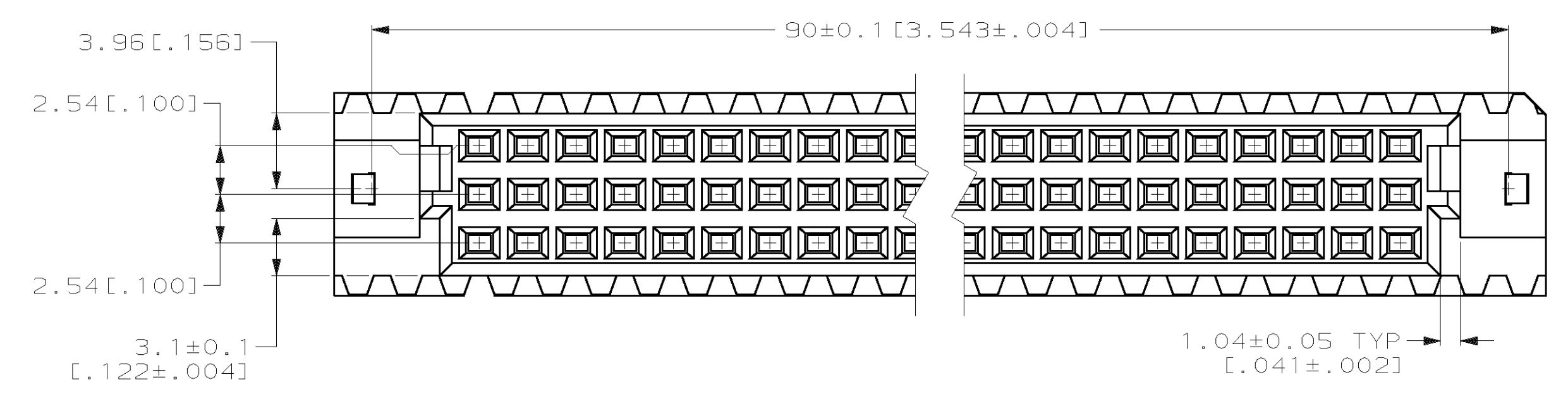


LOC		DIST		P		F		ZONE		LTR		REVISIONS			
AD	25											DESCRIPTION	DATE	APPD	
												E	EC 0010-1488-95	4/1/96	CR
												F	EC 0504-0087-96	11/18/96	CR
												G	REV PER EC OUTB-0367-00	09 JAN 01	CR



- △ HOUSING MATERIAL: GLASS-FILLED POLYESTER. COLOR: GRAY.
- △ CONTACT MATERIAL: PHOSPHOR BRONZE.
- △ CONTACT FINISH: DIN 41612 CLASS 3 IN CONTACT AREA. 0.00127[0.000050] NICKEL UNDERPLATE ALL OVER. TIN-LEAD PLATE ON TAILS.
- △ PART NUMBER, DATE CODE IDENTIFICATION, CSA LOGO IN THIS APPROXIMATE AREA, ON REVERSE SIDE.
- △ CONTACT POINT.
- △ RECOMMENDED HOLE SIZE FOR MANUAL APPLICATION OF CONNECTOR ONTO PC BOARD.
- △ CONTACT FINISH: DIN 41612 CLASS 2 IN CONTACT AREA. 0.00127[0.000050] NICKEL UNDERPLATE ALL OVER. TIN-LEAD PLATE ON TAILS.

NOTES	POSITIONS LOADED	C	B	A	NO. OF LOADED POSITION	ASSY PART NUMBER
SUPERSEDED BY 650983-5	1 THRU 32	X	-	X	64	650983-9
SUPERSEDED BY 650983-5	1 THRU 32	X	-	X	64	650983-5
SUPERSEDED BY 650983-5	1 THRU 32	X	-	X	64	650983-4

DO NOT SCALE PRINT. UNLESS SPECIFIED DIMENSIONS IN mm [INCHES] TOLERANCES ON: 1 PLC DEC ± - 2 PLC DEC ± 0.13[0.005] ANGLES ± -	DR L. BRINER 6/17/91 CHK N. DRASHER 6/24/91 APPD N. DRASHER 6/24/91 APPD K.R. PARMER 6/24/91 PRODUCT SPEC -	AMP INCORPORATED Harrisburg, Pa. 17105			
HSG △ CONT △	APPLICATION SPEC -				
FINISH CONT △	WEIGHT -	SCALE 4:1	SHEET 1 OF 1		