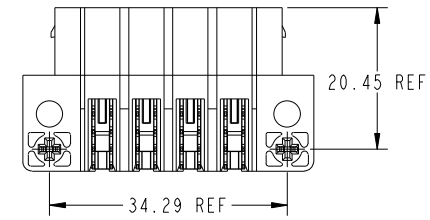
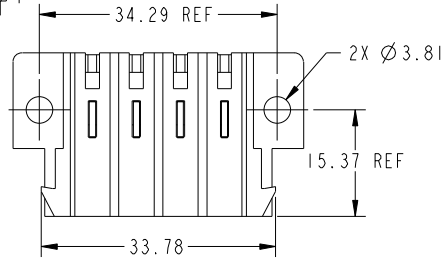


Tous droits strictement réservés. Reproduction ou communication a des tiers interdite sous quelque forme que ce soit sans autorisation écrite du propriétaire. Propriete de c FCI. Droits de reproduction FCI.

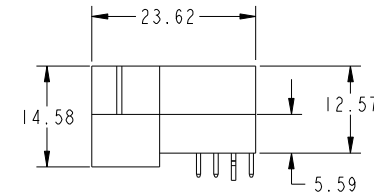
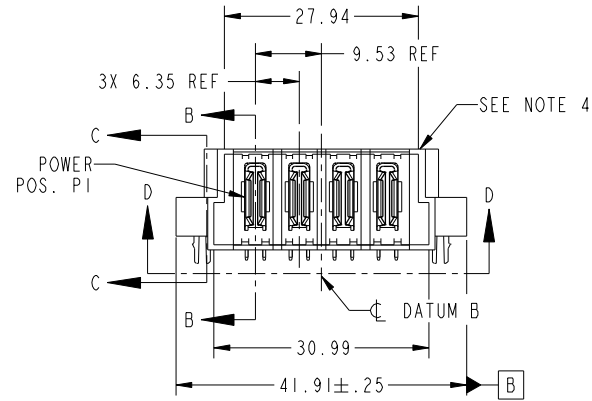
All rights strictly reserved. Reproduction or issue to third parties in any form whatever is not permitted without written authority from the proprietor. Property of FCI. Copyright FCI.



PRODUCT NO.	POWER					
51939-311... NOTE 3	E1	P1	P2	P3	P4	E2
	PA	PA	PA	PA		



VIEW D-D



CODE	DIM "M" MATING LENGTH	CONTACT TYPE
PA	[N/A]	POWER
HA	[N/A]	HOLD-DOWN

mat'l code		SEE NOTE		tolerances unless otherwise specified		CUSTOMER		FCI	
ltr	ecn no.	dr	date	linear	0.X ± 0.3	COPY		www.fciconnect.com	
A	DG07-0315	JMG	07/23/07	angles	0.XX ± 0.13	projection		title	
					0.XXX ± 0.051	MIM		4P	
				dr	JM Guo 07/23/07	scale		RIGHT ANGLE SOLDER HEADER	
				enr	Jerome Chen 07/23/07	1:1		product family	
				chr	Gary Hsieh 07/23/07	A		PwrBlade	
				appd	Joseph Hsia 07/23/07	size		code	
sheet index	revision sheet	A	A	A		dwg no		213	
1	2	3				51939-311		sheet 1 of 3	
						cage code		B	
						22526			

Pro/E

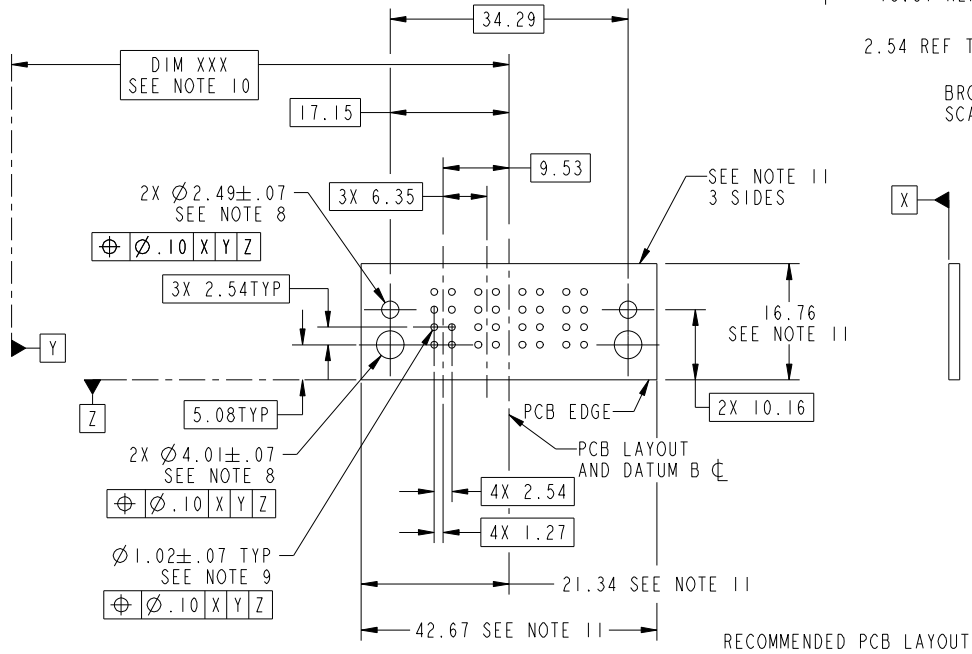
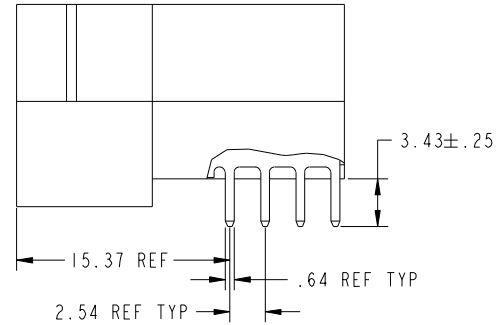
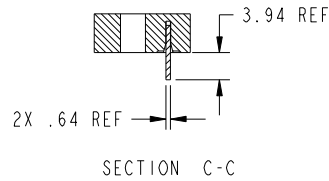
cage code 22526

Tous droits strictement reserves. Reproduction ou communication a des tiers interdite sous quelque forme que ce soit sans autorisation écrite du propriétaire. Propriete de c FCI. Droits de reproduction FCI.



All rights strictly reserved. Reproduction or issue to third parties in any form whatever is not permitted without written authority from the proprietor. Property of FCI. Copyright FCI.

PRODUCT NUMBER  
51939-311--  
NOTE: 3



mat'l code		SEE NOTE		tolerances unless otherwise specified		CUSTOMER		FCI	
ltr	ecn no.	dr	date	linear	0.X ±0.3	COPY		www.fciconnect.com	
A				angles	0.XX ±0.13	projection		title	
					0.XXX ±0.051	MIM		4P RIGHT ANGLE SOLDER HEADER	
				dr	JM Guo 07/23/07	product family		PwrBlade	code
				enr	Jerome Chen 07/23/07	size		dwg no	213
				chr	Gary Hsieh 07/23/07	scale		51939-311	sheet
				appd	Joseph Hsia 07/23/07	1:1		2 of 3	
sheet index	revision sheet								

cage code 22526

Pro/E

Tous droits strictement reserves. Reproduction ou communication a des tiers interdite sous quelque forme que ce soit sans autorisation écrite du propriétaire. Propriete de c FCI. Droits de reproduction FCI.



All rights strictly reserved. Reproduction or issue to third parties in any form whatever is not permitted without written authority from the proprietor. Property of FCI. Copyright FCI.

PRODUCT NUMBER  
51939-311--  
NOTE: 3

NOTES:

1. DIMENSIONS AND TOLERANCES ARE IN ACCORDANCE WITH ASME Y14.5M, 1994 UNLESS OTHERWISE SPECIFIED.

CONNECTOR NOTES:

- 2. HOUSING MATERIAL: UL 94 V-0 GLASS FILLED  
HIGH-TEMP THERMOPLASTIC  
POWER CONTACT MATERIAL: COPPER ALLOY  
SIGNAL PIN MATERIAL: COPPER ALLOY
- 3. 51939-311; 51939-311LF PLATING SPEC. SEE PRINT:10064183
- 4. MANUFACTURER'S NAME, P/N, AND DATE CODE TO APPEAR ON THIS SURFACE.
- 5. PRODUCT SPECIFICATION GS-12-149.  
APPLICATION SPECIFICATION BUS-20-067.
- 6. PACKAGED IN TRAYS.

PCB NOTES:

- 7. ALL HOLE DIAMETERS ARE FINISHED HOLE SIZE.
- 8. MOUNTING HOLES, WHERE APPLICABLE, ARE UNPLATED.
- 9.  $\varnothing 1.151 \pm 0.025$  DRILLED HOLES PLATED WITH  
0.008 MIN SnPb OR Sn OVER 0.03  
TO 0.08 Cu PLATING TO ACHIEVE  
 $\varnothing 1.02 \pm .07$  HOLE.
- 10. "DIM XXX" TO BE DETERMINED BY THE CUSTOMER.
- 11. CONNECTOR KEEP-OUT ZONE.

mat'l code				SEE NOTE	tolerances unless otherwise specified	CUSTOMER	FCI www.fciconnect.com	
ltr	ecr no.	dr	date	linear	0.X ± 0.3	COPY	title	
A					0.XX ± 0.13	projection	4P	
				angles	0.XXX ± 0.051		RIGHT ANGLE SOLDER HEADER	
				dr	0° ± 2°	MIM	product family	PwrBlade
				enr	JM Guo 07/23/07	scale	size	code
				chr	Jerome Chen 07/23/07	1:1	dwg no	213
				appd	Gary Hsieh 07/23/07	A	51939-311	sheet
					Joseph Hsia 07/23/07			3 of 3
sheet index	revision sheet							

cage code 22526

Pro/E