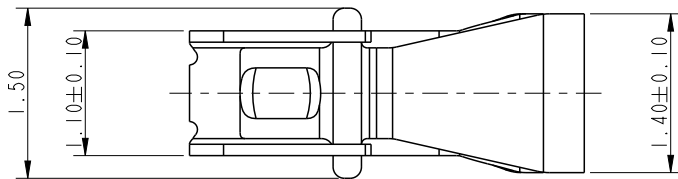
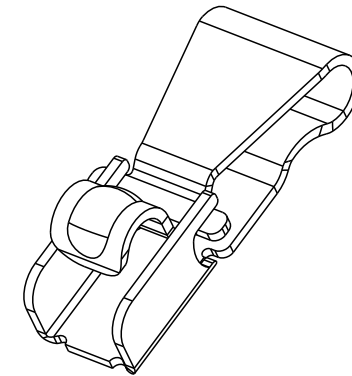
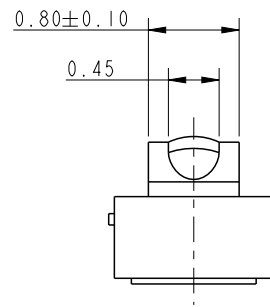
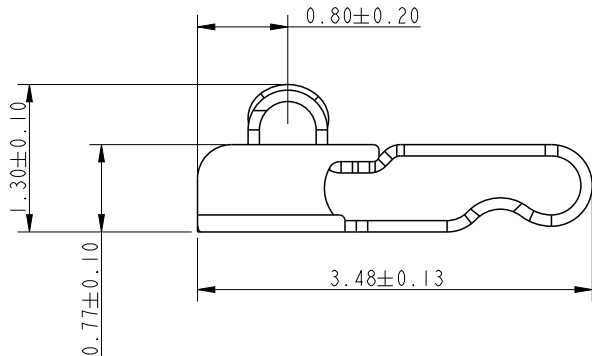


	PRODUCT NO.
FCI	10118533-001RLF
	10118533-003RLF
	10118533-009RLF



NOTES:

1. MATERIAL: COPPER ALLOY.
2. CONTACT PLATING:
CONTACT AREA: PLATING Au OR GXT OVER Ni UNDERPLATE.
(GXT = GOLD FLASH + PdNi)
SOLDER AREA: PLATING GOLD FLASH OVER Ni UNDERPLATE.
3. PACKAGING: TAPE & REEL
4. PART NUMBER DESCRIPTION:
10118533- 0 0 X X X

LF: LEAD FREE

R: TAPE & REEL

CONTACT PLATING:

1: 1um Au over Ni

3: Gold flash over Ni

9: 1um GXT over Ni



Copyright FCI.

spec ref *		dr Andy Lu 2012/08/24		projection 	mm 	size A4	scale 15.000
tolerance std ASME Y14.5		eng Andy Lu 2012/08/27				ecn no -	
TOLERANCES UNLESS OTHERWISE SPECIFIED		chr -				rel level Released	
appr Pei-Ming Zheng 2012/08/28		product family -		dwg no 10118533		rev A	
surface - ASME Y14.5	linear	0.X	±0.3	 www.fci.com	title ANTENNA CONNECTOR UNIVERSAL CONTACT cat. no. -	Product - Customer Drw	
		0.XX	±0.15			sheet 1 of 1	
		0.XXX	±0.050				
	angular	0°	±3°				