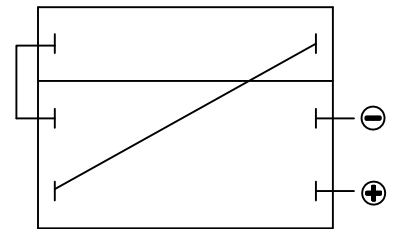
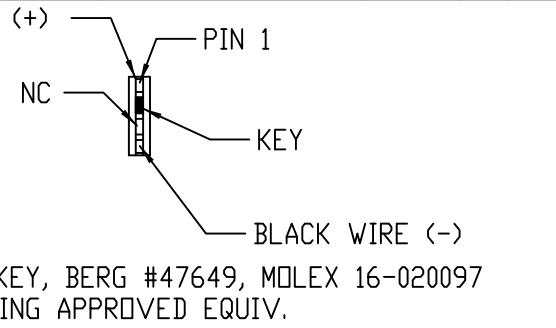
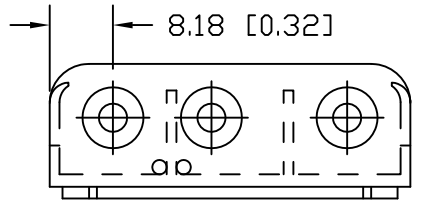
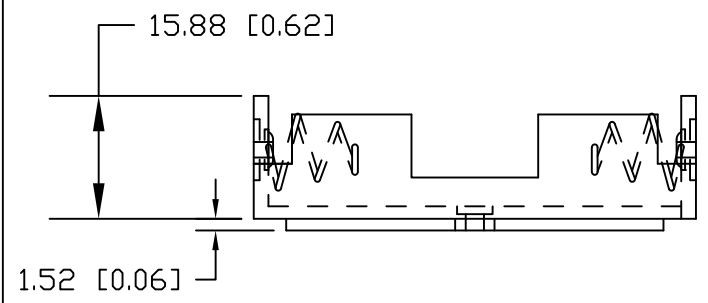
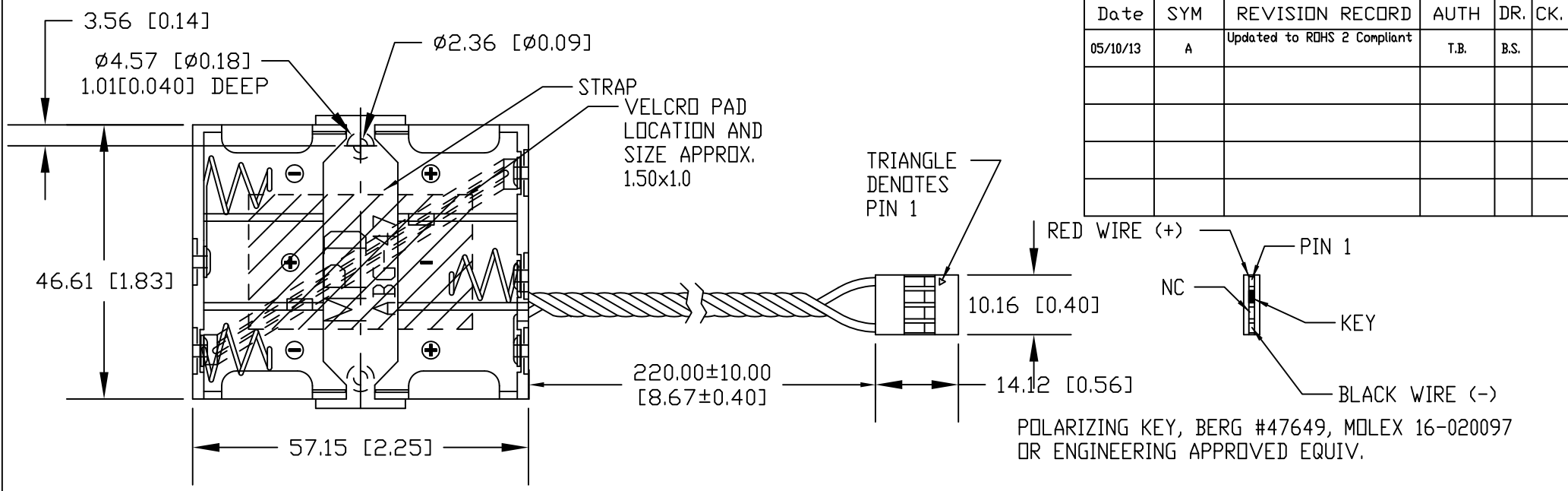


Date	SYM	REVISION RECORD	AUTH	DR.	CK.
05/10/13	A	Updated to ROHS 2 Compliant	T.B.	B.S.	



NOTES:

MATERIAL:

HOUSING: IMPACT RESISTANCE NYLON #6, BLACK, UL 94V-2

SPRING: SPRING STEEL, NICKLE PLATED

WIRE: 24AWG PVC, UL1007, #E41396, CSA #TR-64
80°C 300V, RED (+), BLACK (-), AWM VW-1, TWISTED


CONNECTOR: BERG, MOLEX OR EQUIV.
BERG #65039-033, MOLEX #50-57-9004 OR EQUIV.

FEMALE 4-PIN CONNECTOR. PIN CENTERS=.100".

CONTACTS: BERG, MOLEX OR EQUIV.
BERG #47565, MOLEX #16-02-0097

SELECT GOLD IN MATING AREA, NICKLE PLTD. OVERALL.

ROHS 2 COMPLIANT

Tolerance (Inches)	 Memory Protection Devices, Inc 200 Broad Hollow Road, Farmingdale, New York 11735		
	Decimal ±.5 (.020)	Scale	Drawn By B.S. Approved By T.B.
Fractional ± .8 (.030)	Title 3 "AA" BATTERY HOLDER FOR MEMORY BACKUP		
Angular ± 3°	Date 05/10/13	Drawing Number BH3AA-211	