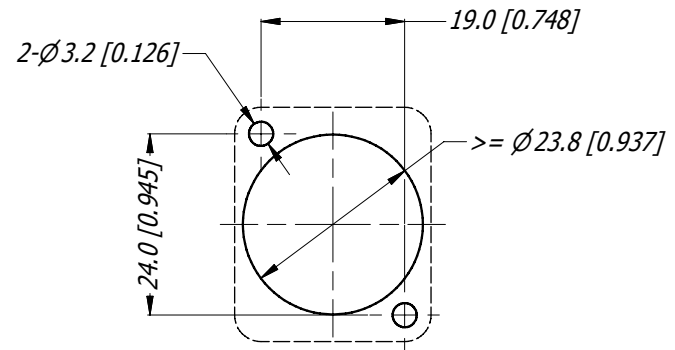
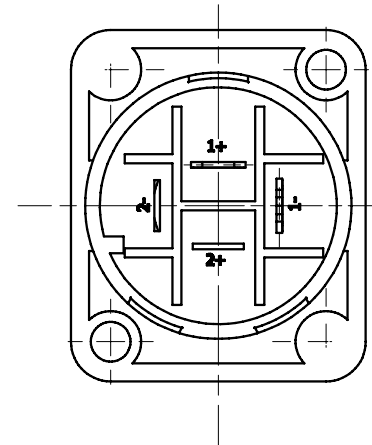
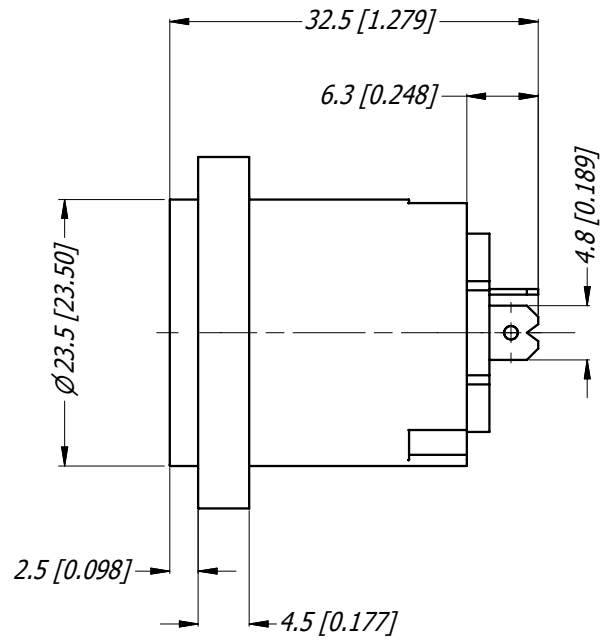
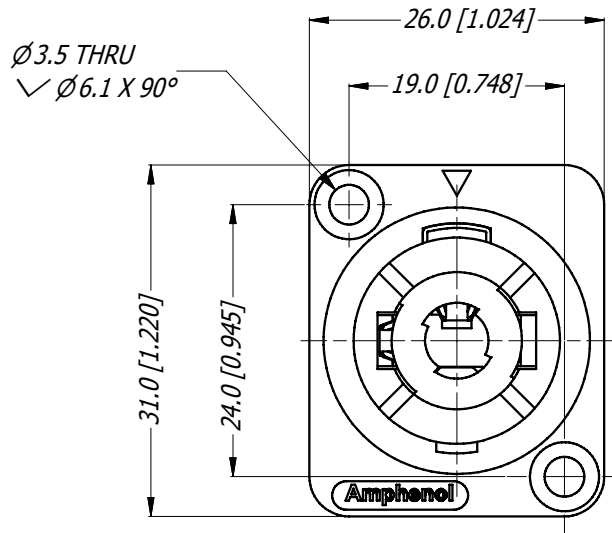
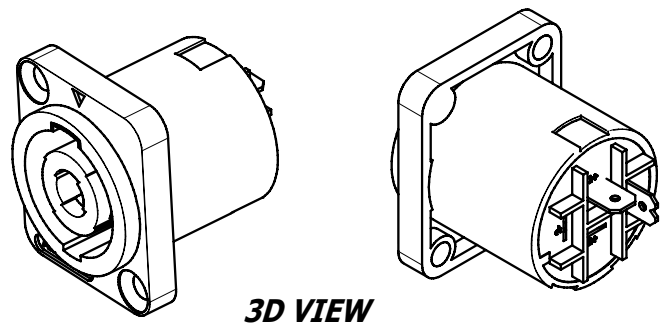


LEGEND  = KEY PRODUCT CHARACTERISTICS

REVISION HISTORY				
REV	DESCRIPTION	BY	DATE	ECN
0	FIRST ISSUE	H.H	14/02/11	8990



PANEL CUTOUT (1:1)



3D VIEW



UNLESS OTHERWISE SPECIFIED TOLERANCE TO BE		THIS DOCUMENT IS THE PROPERTY OF AMPHENOL AUSTRALIA PTY. LTD. NO PART THEREOF MAY BE REPRODUCED AND USED WITHOUT THE PRIOR WRITTEN CONSENT OF THE OWNER				Amphenol Amphenol Australia Pty.Ltd, 2 Fiveways Blvd, Keysborough, VIC 3173	
LINEAR	ANGULAR	MATERIAL:	DRN:	DATE:	TITLE:	PART No.	
X ± 0.5	X° ± 1	REFER TO COMPONENTS	HH	10/02/11	SP SERIES CONNECTOR LOUDSPEAKER 2 POLE, SOLDER	SP-2-MD	
X.X ± 0.1	X.X° ± 30°	BREAK ALL SHARP EDGES AND REMOVE ALL BURRS	CKD:	14/02/11		DRAWING No.	SHEET
X.XX ± 0.05	X.XX° ± 15°	DO NOT SCALE	APP'D:	14/02/11		55010735-000-2	2/2
DIMENSIONS IN MILLIMETRES		FINISH:	SCALE:	SIZE:	CAD FILE:	55010735000210	
			3:2	A4			



THIRD ANGLE PROJECTION