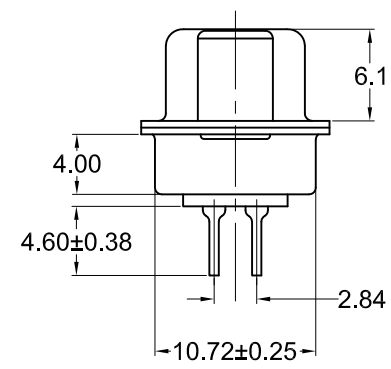
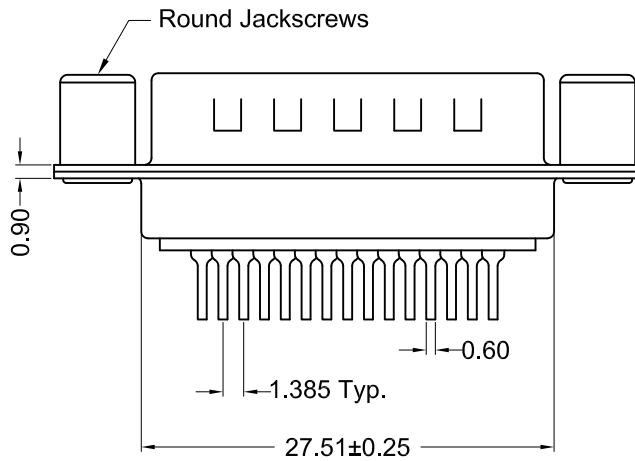


Recommended PCB Layout
(Top View)



Material and Finish

- Shell: Steel, nickel plated
- Insulator: PBT thermoplastic with glass-fiber reinforcement, UL94V-0 rated
Color: Black
- Contact Material:
Plug - Brass
- Contact Plating Options:
Standard: gold flash on mating end, tin on termination end, nickel underplate on entire contact
15 Option: 15u" gold on mating end, tin on termination end, nickel underplate on entire contact
30 Option: 30u" gold on mating end, tin on termination end, nickel underplate on entire contact

Electrical Specifications

- Rated Current: 2A
- Rated Voltage: 30V RMS
- Insulation Resistance:
more than 1000 megohms at 500V DC
- Contact Resistance:
13 milliohms max.
- Dielectric Withstanding Voltage:
1000V for 1 minute
- Operating Temperature:
-55°C to +105°C

Part Number	Contact Area Plating Finish
K85X-AD-15P-R	Gold Flash (standard)
K85X-AD-15P-R15	15u" Gold (15 option)
K85X-AD-15P-R30	30u" Gold (30 option)



Tolerances
X.X ± 0.25
X.XX ± 0.15
Unless Stated
Otherwise

REV.	DATE	DESCRIPTION	REV. BY	CHK. BY	DRAWN BY	DATE
A1	02/25/09	New Drawing	S. Vien	H. MA	S. Vien	01/16/09
A2	12/31/17	ECO #17-030	J. Elbanna	C. Furumasa		
						UNITS
						mm

K85X-AD-15P-R

D-Sub, Vertical, PCB Mount, RoHS Compliant
15 Pin Male, Round Jackscrews

