

PRODUCT NUMBER

10118085-YXX-XXLF

PLATING
 1=0.76µm GXT/GOLD ON CONTACT
 2µm TIN MIN ON TAILS
 4=2µm TIN MIN FULL PLATED

RoHS COMPATIBLE,
 SEE NOTE 4

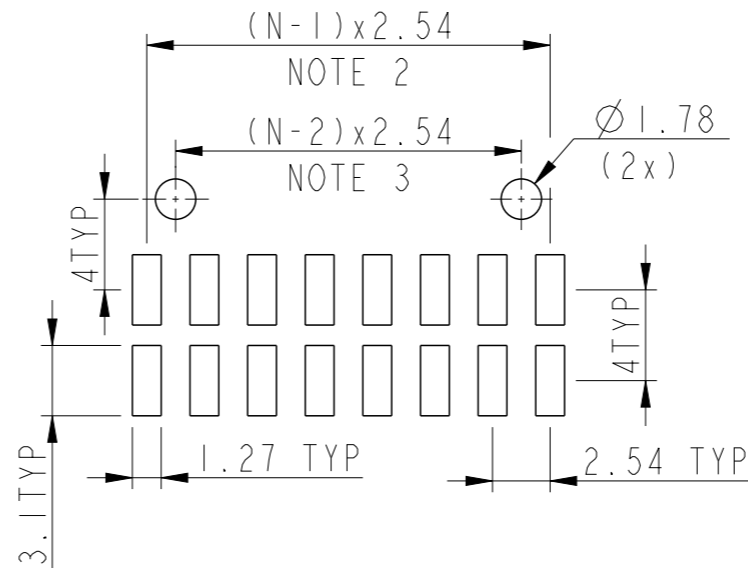
TOTAL Nb OF POSITIONS
 04 TO 30 AS AVAILABLE

PACKAGING
 NOTE 3

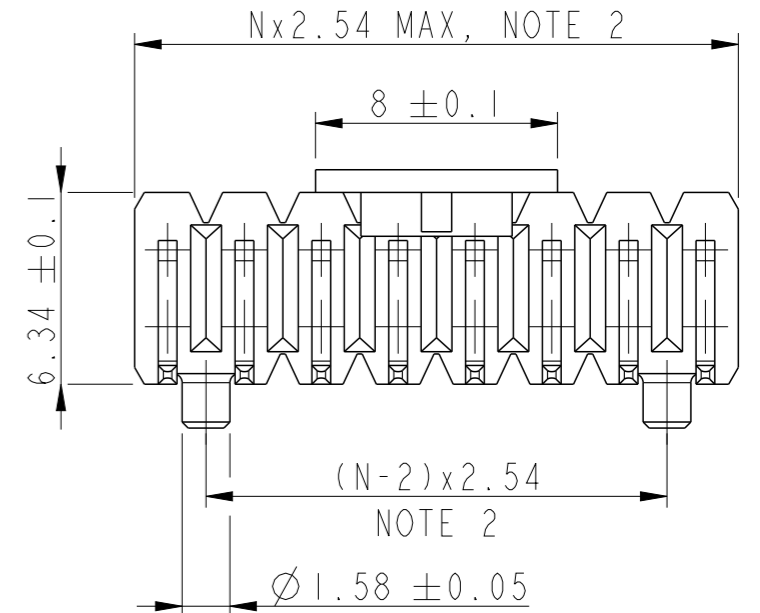
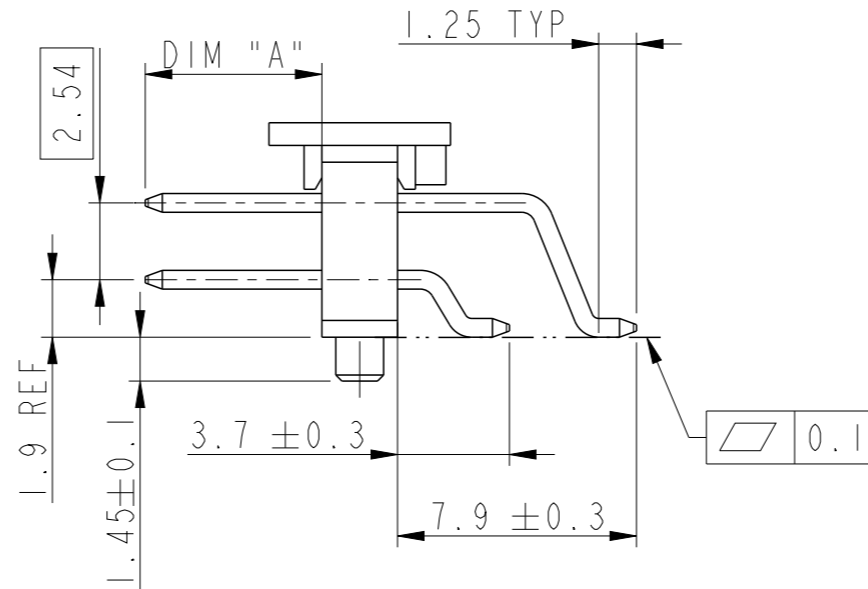
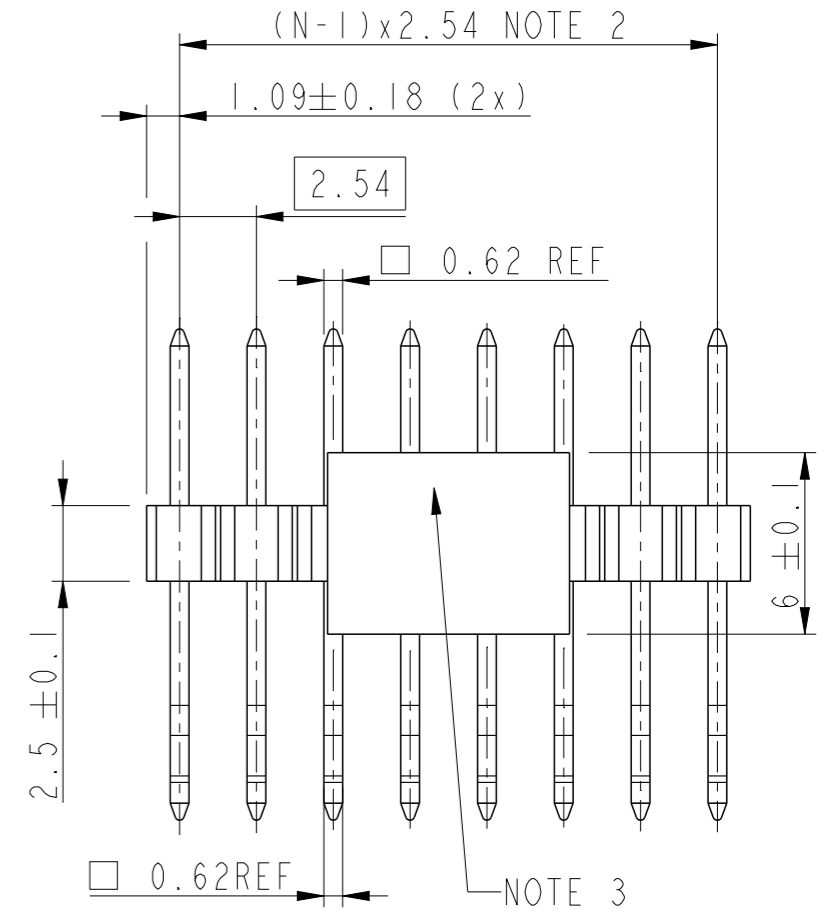
STYLE	DIM "A" ±0.2
01	5.84
02	8.08
03	10.70

NOTES:

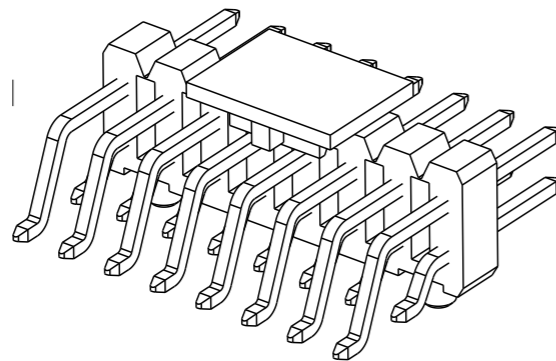
- 1 - MATERIAL:
 - BODY: HIGH TEMPERATURE THERMOPLASTIC
UL94V-0 COLOUR BLACK
 - PIN: COPPER ALLOY
- 2 - TO DETERMINATE DIMENSIONS :
N = NUMBER OF POSITIONS PER ROW
- 3 - PACKAGING:
 - A = TAPE & REEL PACKAGING WITH PICK UP CAP AS PER GS14-2357
 - AV= TAPE & REEL PACKAGING WITH PICK UP CAP FOR CUSTOMER DEDICATED PART
 - V = BLIBOX PACKAGING FOR CUSTOMER DEDICATED PART
 - = POLYBAGS
- 4 - RoHS COMPATIBLE PRODUCT SPECIFICATIONS :
 - a - PLATING :
"LF" MEANS THE PRODUCT IS LEAD FREE, 2µm MINIMUM MATTE TIN OVER 1.27µm, MINIMUM NICKEL UNDERPLATED
 - b - MANUFACTURING PROCESS COMPATIBILITY :
THE HOUSING WILL WITHSTAND EXPOSURE TO 260°C PEAK TEMPERATURE FOR 30 SECONDS MAX IN CONVECTION INFRA-RED OR VAPOR PHASE OR REFLOW OVEN
 - c - LABELLING :
MEETS PACKAGING SPECS AS PER GS-14-920
 - d - LEGAL STATEMENT :SEE GS-47-0004
- 5 - PRODUCT SPECIFICATION AS PER BUS-12-114 EXCEPT
PIN RETENTION FORCE 5N MIN



PCB LAYOUT



SCALE 3:1



spec ref	-	dr	Aymeric Soudy	2014/02/24	projection	MM	size	A3	scale	4:1
tolerance std	ISO 406 ISO 1101	eng	Laurent Mulin	2020/08/18			ecn no	ELX-F-38051-1	rel level	Released
TOLERANCES UNLESS OTHERWISE SPECIFIED		chr	-	appr						
surface	linear	0.X	±0.3	Amphenol FCI www.fci.com	2.54mm UNSH HEADER HORIZ		dwg no	10118085	rev	E
		0.XX	±0.13		DOUBLE ROW SMT WITH PEG					
		0.XXX	±0.050		cat. no.	-				
ISO 1302	angular	0°	±2°							