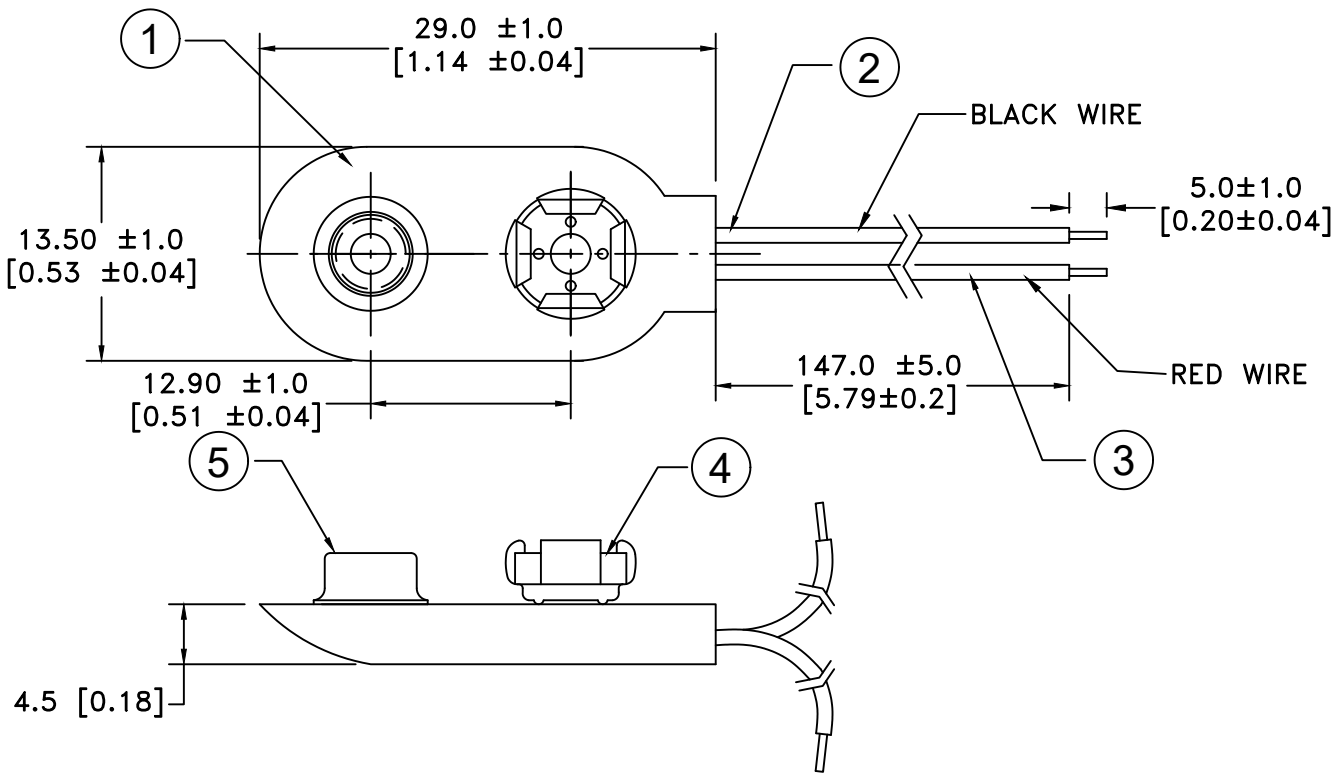


Date	SYM	REVISION RECORD	AUTH	DR.	CK.
6/07/19	C	UPDATED ALL DIMENSIONS	T.B.	B.S.	



NOTE:
ROHS COMPLIANT

N0.	PART NAME	MATERIAL	QTY.	Tolerance (Except as noted)
1	COVER	PVC COVER OVER FIBERBOARD	1	decimal
2	BLACK WIRE(-)	22 AWG, UL-1007, CSA TR-64, 300V, 80°C	1	±.5 (.020)
3	RED WIRE (+)	22 AWG, UL-1007, CSA TR-64, 300V, 80°C	1	Fractional
4	FEMALE SNAP	BRASS, NICKLE PLATED	1	± .8 (.030)
5	MALE SNAP	BRASS NICKLE PLATED	1	Angular
				± 3°

MPD Memory Protection Devices, Inc
200 Broad Hollow Road, Farmingdale, New York 11735

Scale: Drawn By B.S.
Approved By T.B.

Title: 9 VOLT BATTERY SNAP-I STYLE-6" WIRE LEADS, 22 AWG

Date: 6/07/19
Drawing Number: BS6I-22