

THIS DRAWING IS UNPUBLISHED.

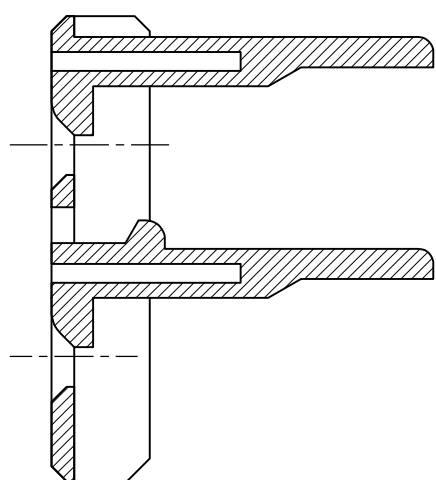
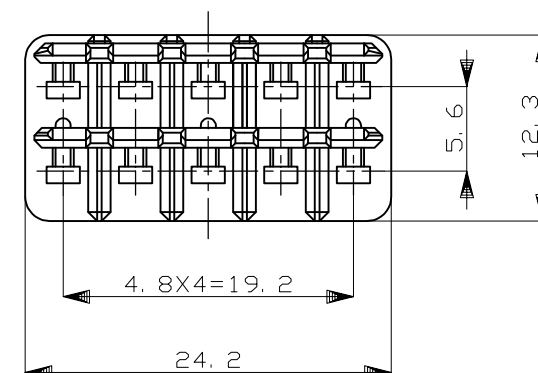
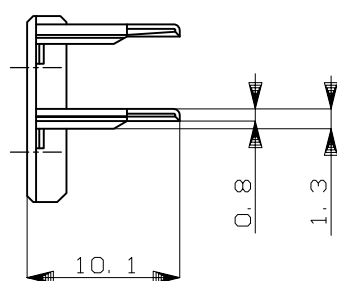
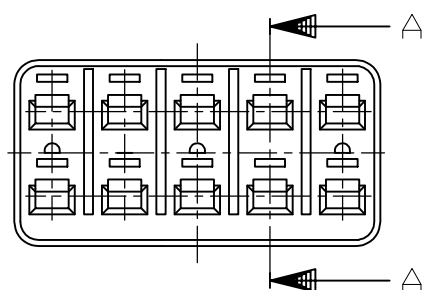
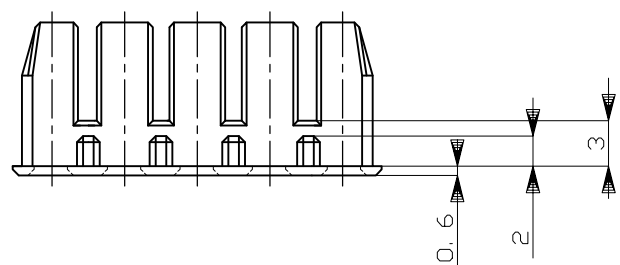
RELEASED FOR PUBLICATION

ALL RIGHTS RESERVED.

© COPYRIGHT - By -

REVISIONS

P	LTR	DESCRIPTION	DATE	DWN	APVD
	B2	REVISED	ECR-18-009736	22JUN2018	TS HY



SECTION
断面 A-A
(尺度 5:1)

1. 本品は、プラグハウジング型番 174655及び 2822395に装着される

1. TO BE MATED WITH PLUG HOUSING PART NUMBER 174655 AND 2822395

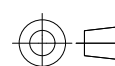
HB	自然色 (NATURAL)	1-174656-1
V-2	黄 (YELLOW)	174656-7
使用材料難燃グレード (FLAMMABILITY OF MATERIAL)	色 (COLOR)	型番 (PART NUMBER)

GENERAL TOLERANCE

0 < * ≤ 10	: ±0.2
10 < * ≤ 30	: ±0.25
30 < * ≤ 100	: ±0.3
ANGLES	: ±3°

THIS DRAWING IS A CONTROLLED DOCUMENT.

DIMENSIONS:
mm



TOLERANCES UNLESS OTHERWISE SPECIFIED:

0 PLC	± -
1 PLC	± -
2 PLC	± -
3 PLC	± -
4 PLC	± -
ANGLES	± -

MATERIAL

PBT

FINISH

-

DWN 7/7'87

K.ODA

CHK 7/9'87

Y.MATSUSAKA

APVD 11/4'88

M.NOGUCHI

PRODUCT SPEC
108-5262

APPLICATION SPEC

WEIGHT

0.8 g

NAME
10P. ECONOSEAL J-MARKII+ CONNECTOR
DOUBLE LOCK PLATE FOR PLUG HOUSING

SIZE

CAGE CODE

DRAWING NO

A3 174656 C-174656

RESTRICTED TO

-

CUSTOMER DRAWING

SCALE 5:1

SHEET 1 OF 1

REV B2

STE TE Connectivity Ltd.