

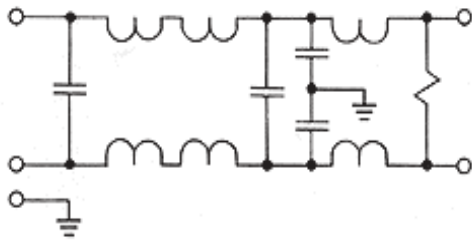
SX

ENHANCED PERFORMANCE SWITCH MODE EMI FILTER

FEATURES

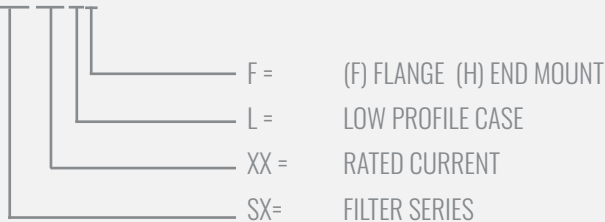
- » **Rated currents** include **3A, 7.5A, 15A, 20A, 30A, 45A and 60A**
- » Available with **QD** (tabs), **S** (studs) and **C** (connectors) option
- » Enhanced Performance Design
- » End Mount, Low Profile, Connector & Flange Mount Available
- » Agency Approved to UL E78081, CSA LR53652
- » Y-cap value can be adjusted to fit specification

ELECTRICAL SCHEMATIC

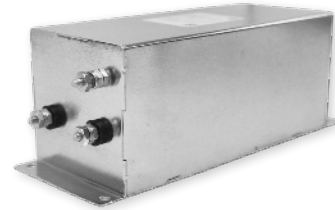


HOW TO ORDER

SX XX LF



NOTE: USE ANY COMBINATION OF -X (AMPS) WITH ANY -Y RATINGS
E.G. **SX30 F** (30 AMPS FLANGE MOUNT)



SPECIFICATIONS

OPERATING FREQUENCY 50/60Hz
MAX. OPERATING VOLTAGE 250VAC +10%
TERMINALS (-T) QD: 0.25 TABS
STUDS: 8-32 (3-30A),

TYP. WEIGHT, LBS (KG) 0.5 - 5.25 (0.27 - 5.80)

LEAKAGE CURRENT

@ 250 VAC 60 Hz 0 - 2.2 mA Max.

HIPOT RATINGS

LINE TO GROUND 2200 VDC - 2550 VDC

TYPICAL APPLICATIONS

- ✓ Household Appliances
- ✓ Industrial Equipment
- ✓ Power Supplies
- ✓ Consumer Electronics
- ✓ Office Automation Equipment
- ✓ Data Processing Systems

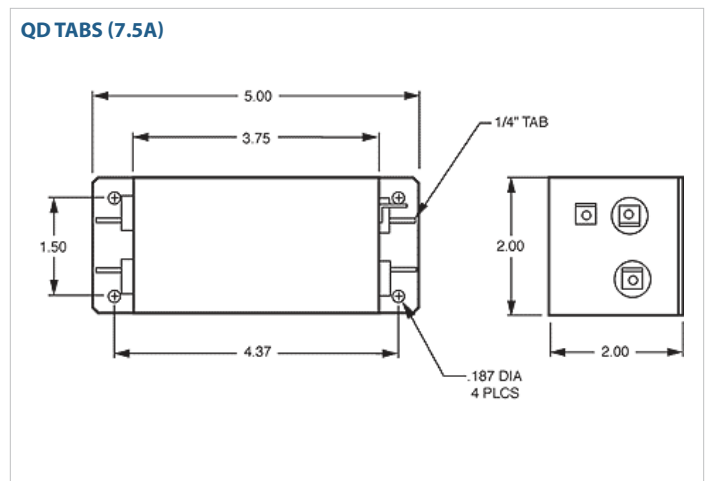
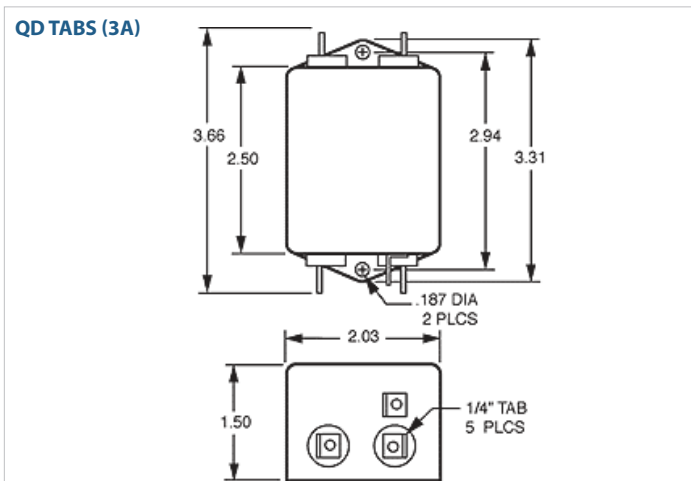
SX

ENHANCED PERFORMANCE SWITCH MODE EMI FILTER

MODEL NO.	RATED CURRENT (A) @ 40° C	Y-CAP, nF	LEAKAGE CURRENT, mA @ 250V AC, 60 Hz	TERMINAL OPTIONS			MAX. DIMENSIONS" (MM)		
				(QD) INPUT/ OUTPUT	(S) INPUT/ OUTPUT	(C) INPUT/ OUTPUT	WIDTH	(LENGTH)	HEIGHT
SX3	3	2x.0047μF	0.8mA	✓			2.03"	3.7"	1.5"
SX3 S	3	2x.0047μF	0.8mA		✓		2.03"	3.76"	1.5"
SX3C	3	*	*			✓	*	*	*
SX7 F	7.5	2x.0047μF	0.8mA	✓			2"	4.95"	2"
SX7L	7.5	2x.0047μF	0.8mA	✓			2.05"	6.44"	1.5"
SX7L S	7.5	2x.0047μF	0.8mA		✓		*	*	*
SX7	7.5	*	0.8mA	*	*	*	*	*	*
SX7 S	7.5	*	*		✓		*	*	*
SX15 F	15	2x.01μF	1.4mA		✓		3"	5.51"	2.75"
SX15	15	*	1.4mA				*	*	*
SX20 F	20	2x.01μF	1.4mA		✓		3"	6.26"	2.75"
SX20A F	20	2x.01μF/2x .0047μF	1.4mA		✓		3"	6.26"	2.75"
SX20	20	*	1.4mA	*	*	*	*	*	*
SX30 F	30	2x.01μF	1.4mA		✓		3"	8.26"	2.75"
SX30 H	30	2x.01μF	1.4mA		✓		3"	8.26"	2.75"
SX30A F	30	2x.01μF/2x .0047μF	2.1mA		✓		3"	8.26"	2.75"
SX30	30	*	1.4mA	*	*	*	*	*	*
SX45	45	*	1.8mA	*	*	*	*	*	*
SX60	60	*	2.2mA	*	*	*	*	*	*

*Contact factory for part data.

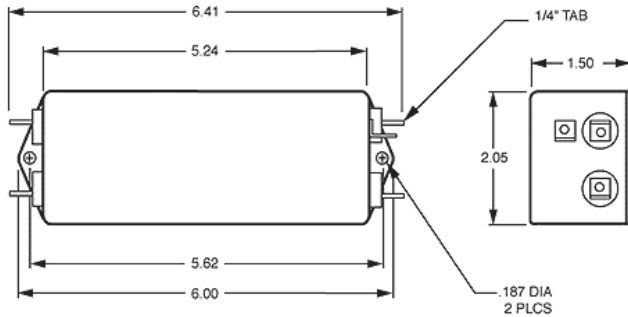
SX MECHANICAL OUTLINES (MM)



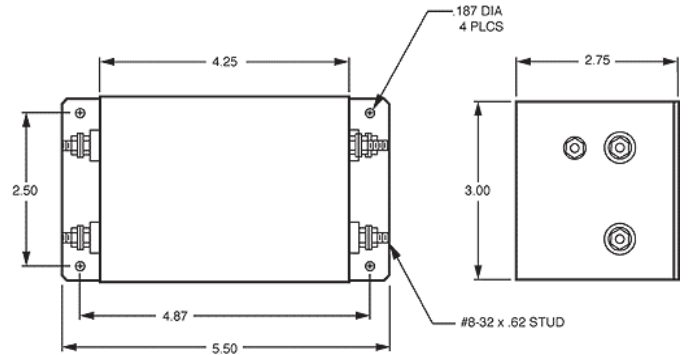
SX

ENHANCED PERFORMANCE SWITCH MODE EMI FILTER

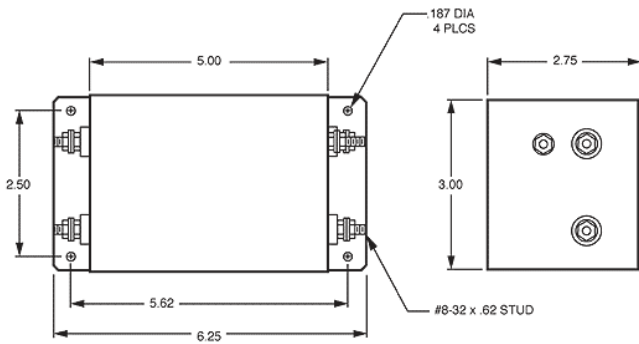
QD TABS (7.5A) LOW PROFILE



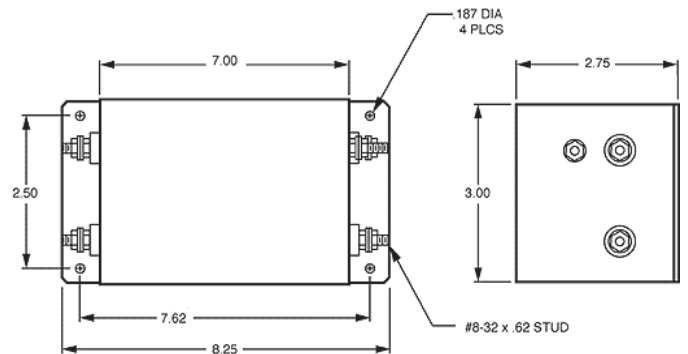
STUDS (15A)



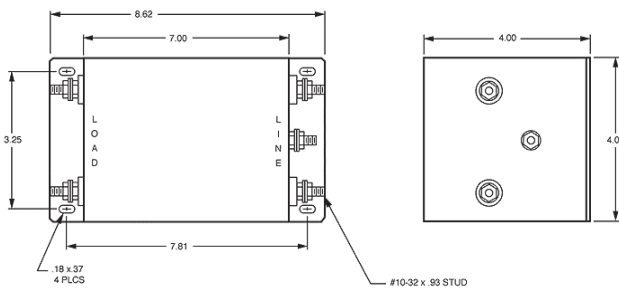
STUDS (20A)



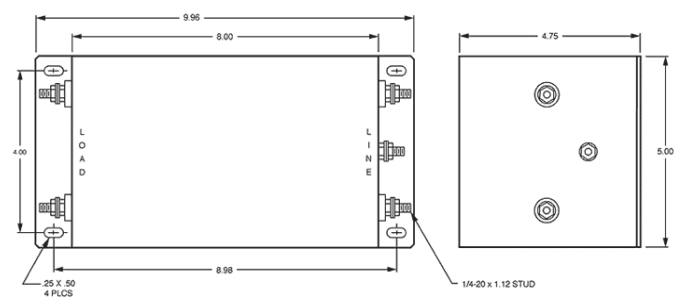
STUDS (30A)



STUDS (45A)



STUDS (60A)



TYPICAL TOLERANCE: +/-0.02" (0.50MM)

SX

ENHANCED PERFORMANCE SWITCH MODE EMI FILTER

TYPICAL INSERTION LOSS, dB (50/50 Ohm)

Amps	Freq (MHz)	0.15	0.5	1.0	10	30
3	CM (dB)	60	65	55	60	63
	DM (dB)	60	65	55	64	68
7.5	CM (dB)	60	65	55	60	63
	DM (dB)	60	65	55	64	68
15	CM (dB)	60	65	55	60	63
	DM (dB)	60	65	55	64	68
20	CM (dB)	60	65	55	60	63
	DM (dB)	60	65	55	64	68
30	CM (dB)	60	65	55	60	63
	DM (dB)	55	65	55	64	68
45	CM (dB)	60	65	55	60	63
	DM (dB)	60	65	55	64	68
60	CM (dB)	60	65	55	60	63
	DM (dB)	60	65	55	64	68