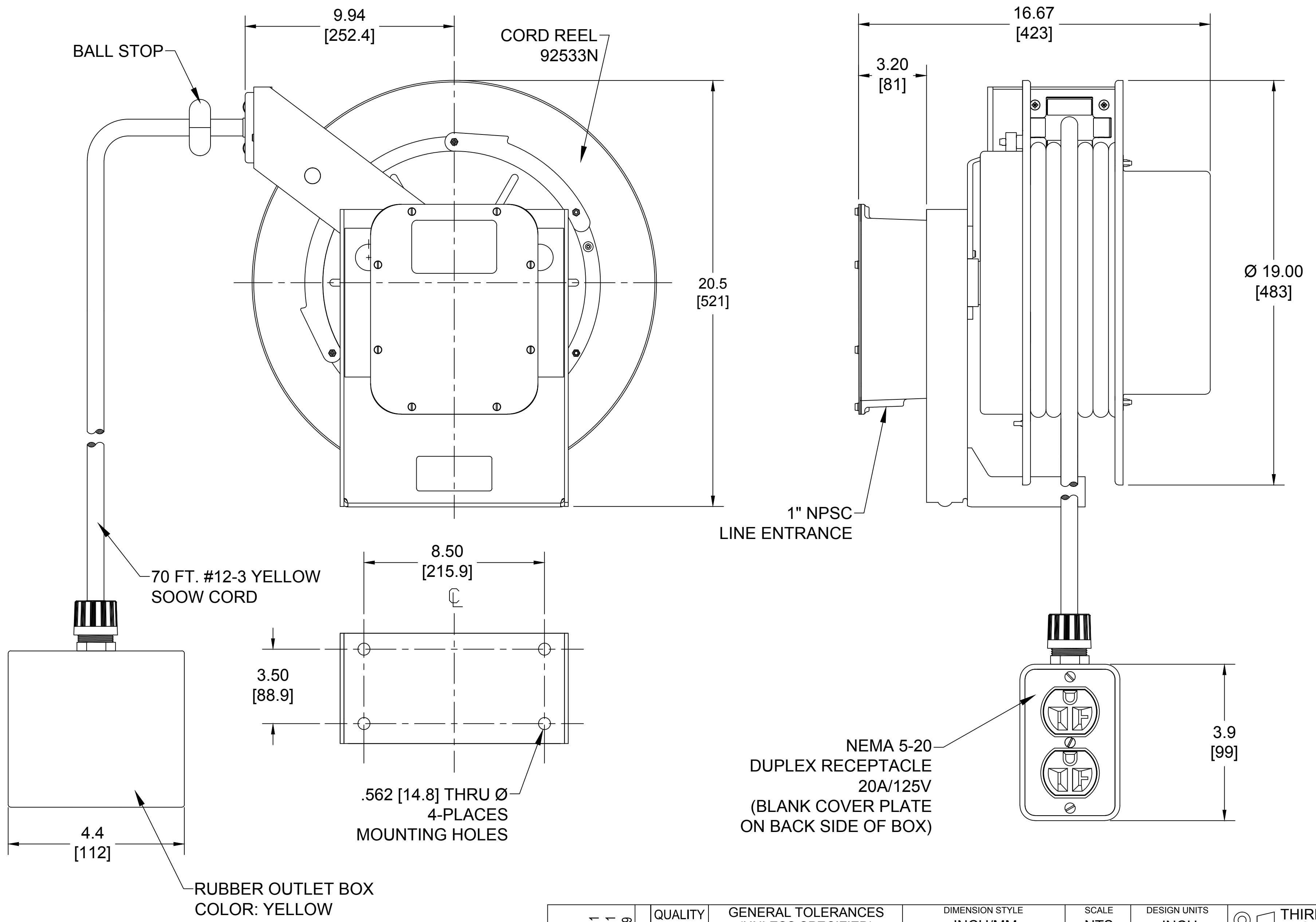


13 12 11 10 9 8 7 6 5 4 3 2 1

J  
I  
H  
G  
F  
E  
D  
C  
B  
A



RELEASE SALES DWG EC NO.: IFC2016-1111 DRWN: HRUIZ01 2016/02/11 CH'KD: HKNEELAN 2016/02/11 APPR: JFMURPHY 2016/02/29	QUALITY SYMBOL ▽=0 ◻=0	GENERAL TOLERANCES (UNLESS SPECIFIED) 4 PLACES ±--- ±--- 3 PLACES ±--- ±.005 2 PLACES ±.13 ±.010 1 PLACE ±.25 ±.020	DIMENSION STYLE INCH/MM	SCALE NTS	DESIGN UNITS INCH	THIRD ANGLE PROJECTION
	DRAWN BY HRUIZ01	DATE 2016/02/11	TITLE <b>92533N CABLE REEL          70' #12-3 SOOW          SINGLE 20A/125V RCPTL.</b>			
	CHECKED BY HKNEELAN	DATE 2016/02/11	MOLEX INCORPORATED			
	APPROVED BY JFMURPHY	DATE 2016/02/29	MATERIAL NO. 1300840388	DOCUMENT NO. SD-130084-011	SHEET NO. 1 OF 1	
	DRAFT WHERE APPLICABLE MUST REMAIN WITHIN DIMENSIONS		THIS DRAWING CONTAINS INFORMATION THAT IS PROPRIETARY TO MOLEX INCORPORATED AND SHOULD NOT BE USED WITHOUT WRITTEN PERMISSION			

13 12 11 10 9 8 7 6 5 4 3 2 1