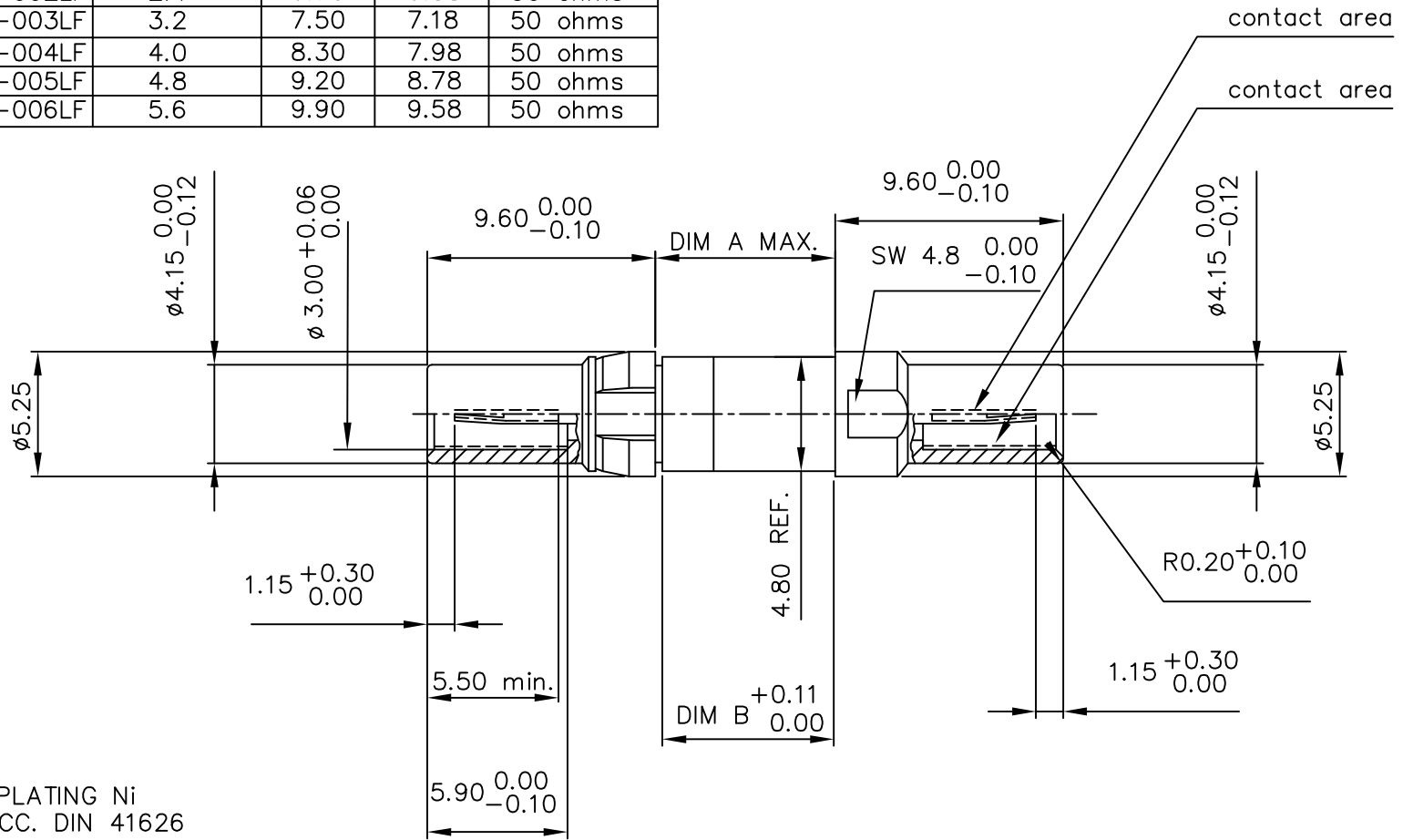


Tous droits strictement réservés. Reproduction ou communication o des tiers interdite sous quelque forme que ce soit sans autorisation écrite du propriétaire. Property of FCI b.v. © FCI b.v.


Reproduction or issue to third parties in any form, whatever is not permitted without written authority from the proprietor. Property of FCI b.v. © FCI b.v.

PRODUCT NUMBER	PCB THICKNESS	DIM A	DIM B	IMPEDANCE
70200-001LF	1.6	5.90	5.58	50 ohms
70200-002LF	2.4	6.70	6.38	50 ohms
70200-003LF	3.2	7.50	7.18	50 ohms
70200-004LF	4.0	8.30	7.98	50 ohms
70200-005LF	4.8	9.20	8.78	50 ohms
70200-006LF	5.6	9.90	9.58	50 ohms



- NOTES:
- 1 UNDERPLATING Ni
 - 2 DIM. ACC. DIN 41626
 - 3 GEN. TOL. ±0.10
 - 4 THIS PRODUCT WITH "LF" SUFFIX MEETS EUROPEAN UNION DIRECTIVES AND OTHER COUNTRY REGULATIONS AS DESCRIBED IN GS -22-008.
 - 5 THE PRODUCT IS NOT INTENDED TO BE EXPOSED TO A MANUFACTURE AND SOLDER PROCESS.

1.3øm Au MIN
PLATING CONTACT AREA

mat'l. code		tolerances unless otherwise specified		CUSTOMER COPY		 www.fciconnect.com	
ltr	ecn no	dr	date	linear	projection	title	
A	H00365	DAN	900718		⊕	FEMALE/FEMALE	
B	H00367	DAN	900731			Coax Coupler 50ohms	
C	H00495	DAN	901022	angles		product family	
D	H20350	DAN	920305	dr	D ANDREWS	900718	ETRAL(tm)
E	H50483	RVI	950828	engr	P SCHALK	950821	code
F	605-0342	CLU	050920	chr	A v Zanten	900718	213
				app	v Woensel	900718	sheet
sheet index	revision	F					1 of 1
	sheet	1					