

2.83 ±0.25
(POWER TAILS)

1.58 MIN
(PCB THICKNESS)

14.4

ALLOW EXTRA SPACE
4.00 MM PER SIDE
(REQUIRED FOR RE-WORK PER AS-46436-100)

"A" ±0.75

8.00 TYP

18.0

SP3

SP1

molex

molex

molex

molex

molex

molex

molex

molex

"B" MIN
(KEEP-OUT ZONE)

9.32

18.50 MIN
(KEEP-OUT ZONE)

SP3

SP1

SP3

SP1

SP3

SP1

SP3

SP1

SP3

SP1

SP3

SP1

SP3

SP1

SP3

SP1

SP3

SP1

SP3

SP1

SP3

SP1

SP3

SP1

SP3

SP1

SP3

SP1

SP3

SP1

SP3

SP1

SP3

SP1

SP3

SP1

SP3

SP1

SP3

SP1

SP3

SP1

SP3

SP1

SP3

SP1

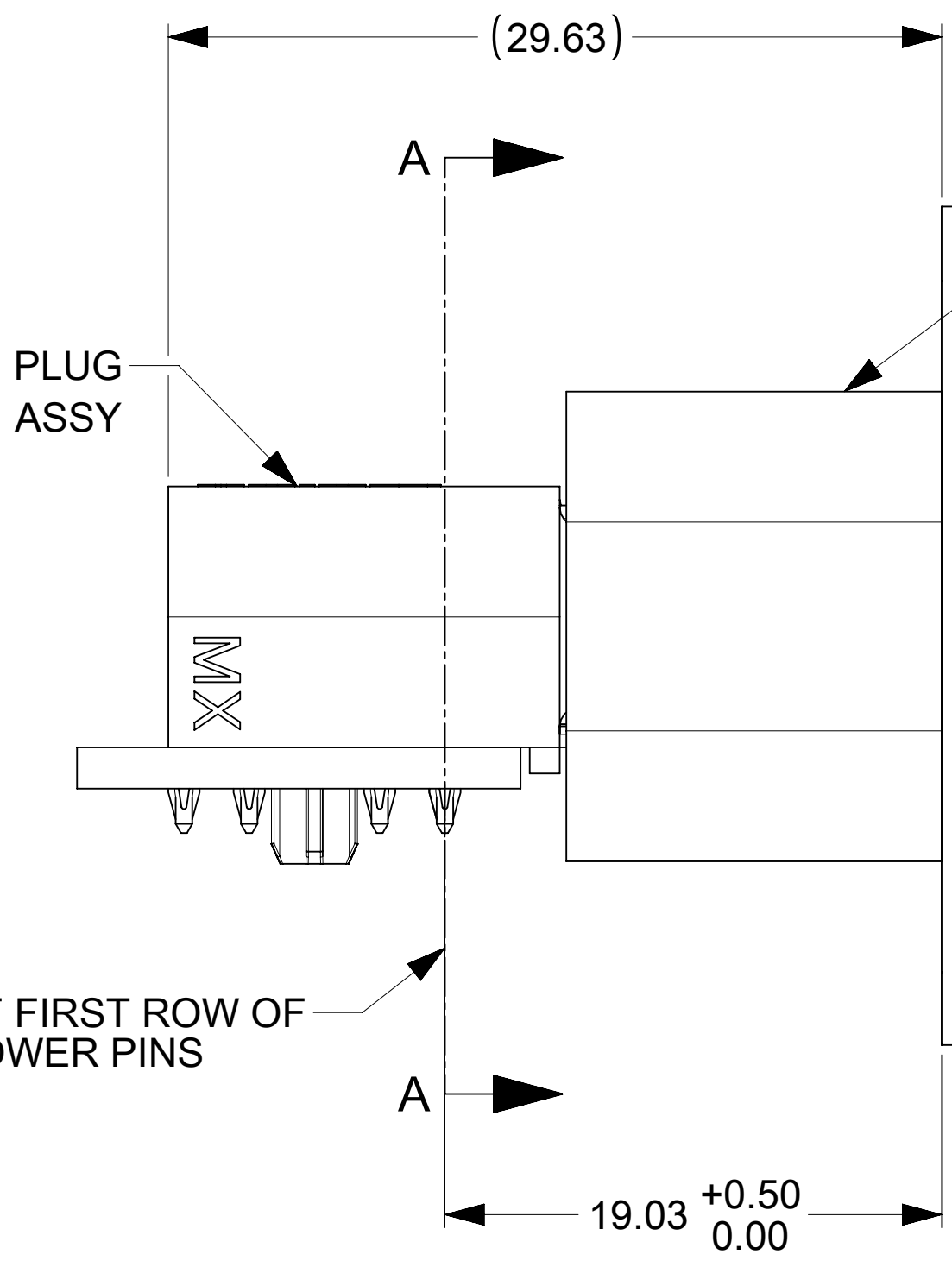
RECOMMENDED PCB LAYOUT AND KEEP-OUT ZONE FOR G-(1SP TO 3SP)-G

⊕ ∅ 0.10 A B
∅ 1.02 ±0.05 ("H1")
(SEE NOTE 3)

8.00

A

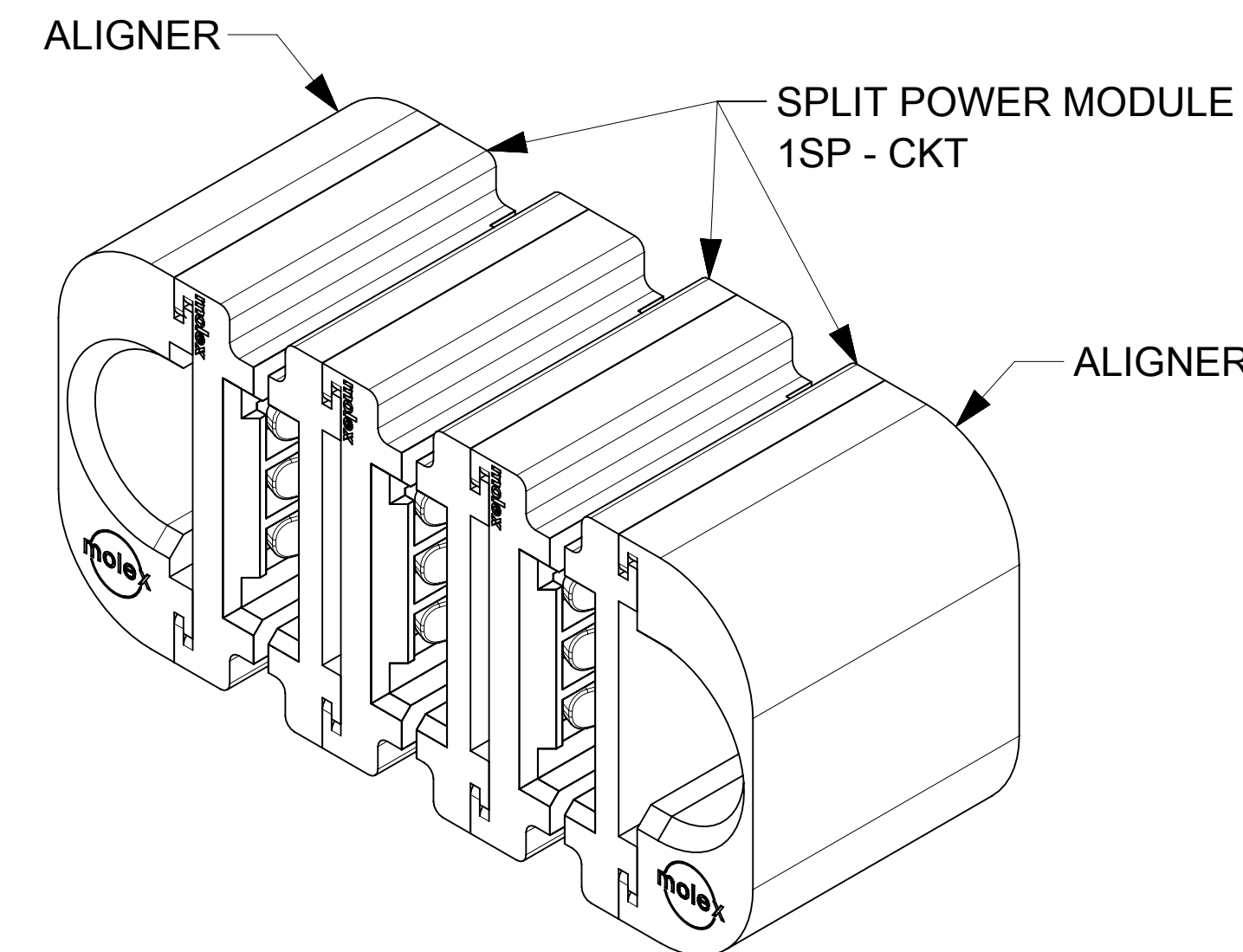
3.50



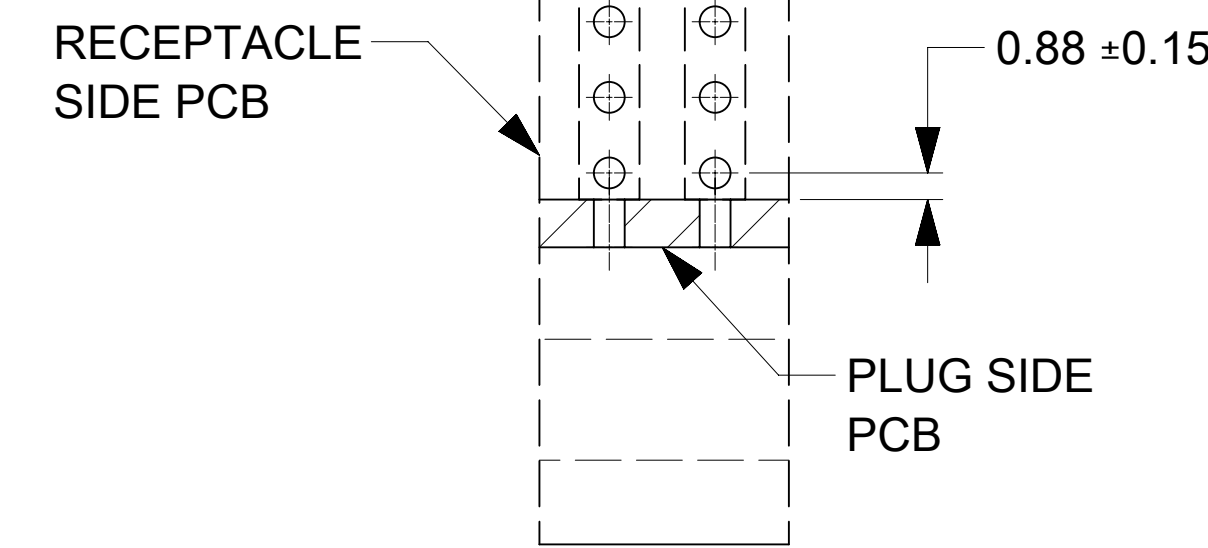
OF FIRST ROW OF
POWER PINS

MATED PROFILE

RECEPTACLE
ASSY



P/N: 171089-8403 (G-3SP-G)



SECTION A-A

- NOTES:
- MATERIAL:
 - HOUSINGS: LCP UL94, V-0, COLOR : BLACK
 - TERMINALS: HIGH CONDUCTIVITY COPPER ALLOY
 - PLATING: 1.27 MICROMETER (50 MICROINCH) NICKEL OVERALL WITH 2.54 MICROMETER (100 MICROINCH) SELECTIVE TIN ON TAILS AND 0.762 MICROMETER (30 MICROINCH) SELECTIVE GOLD ON CONTACT AREA
 - PACKAGING: ASSEMBLIES TO BE TRAY PACKED PER PACKAGING SPEC: 1710891001-PK
 - PLATED THRU HOLE SIZE, REFER TO PS-171088-0000 FOR DETAILS
 - PRODUCT SPEC: PS-171088-0000
 - PRODUCT TO MEET RoHS REQUIREMENTS
 - ASSEMBLY MATES TO MOLEX PLUG ASSEMBLY P/N 171088-**** (SEE TABLE IN SHEET 2).
 - TAIL DESIGN: COMPLIANT PINS
 - POWER CONTACTS ARE LUBRICATED.
 - APPLICATION SPEC: AS-46436-100.
 - MOLEX LOGO TO BE LOCATED APPROXIMATELY AS SHOWN.

| | | | | | | | | | |
|-----------------------------------------------------------------------------------------------------------------------------------------------|--------|--------------------------------------------|--|------------|--|-----------------|--|----------------|--|
| THIS DRAWING CONTAINS INFORMATION THAT IS PROPRIETARY TO MOLEX ELECTRONIC TECHNOLOGIES, LLC AND SHOULD NOT BE USED WITHOUT WRITTEN PERMISSION | | | | | | | | | |
| DIMENSION UNITS | SCALE | CURRENT REV DESC: REMOVED P/N 8404 TO 8410 | | | | | | | |
| mm | 4:1 | | | | | | | | |
| GENERAL TOLERANCES (UNLESS SPECIFIED) | | | | | | | | | |
| ANGULAR TOL | ± 0.5° | | | | | | | | |
| 4 PLACES | ± | EC NO: 707711 | | | | | | | |
| 3 PLACES | ± | DRWN: KSUTAR | | 2022/05/19 | | | | | |
| 2 PLACES | ± 0.13 | CHK'D: GJEEVANSURES | | 2022/05/23 | | | | | |
| 1 PLACE | ± 0.25 | APPR: HTHYAGARAJ | | 2022/06/08 | | | | | |
| 0 PLACES | ± | INITIAL REVISION: | | | | | | | |
| DRAFT WHERE APPLICABLE MUST REMAIN WITHIN DIMENSIONS | | DRWN: KSUTAR | | 2021/09/28 | | | | | |
| | | APPR: HTHYAGARAJ | | 2021/11/08 | | | | | |
| THIRD ANGLE PROJECTION | | DRAWING | | SERIES | | MATERIAL NUMBER | | CUSTOMER | |
| D-DRAWING | | D-SIZE | | 171089 | | SEE TABLE | | GENERAL MARKET | |
| | | | | | | DOCUMENT NUMBER | | DOC TYPE | |
| | | | | | | 1710898410 | | PSD | |
| | | | | | | DOC PART | | REVISION | |
| | | | | | | 000 | | A2 | |
| | | | | | | SHEET NUMBER | | | |
| | | | | | | 1 OF 2 | | | |

molex

G-SP-G
VERT RECEPTACLE ASSY - TEN60 SPLIT POWER

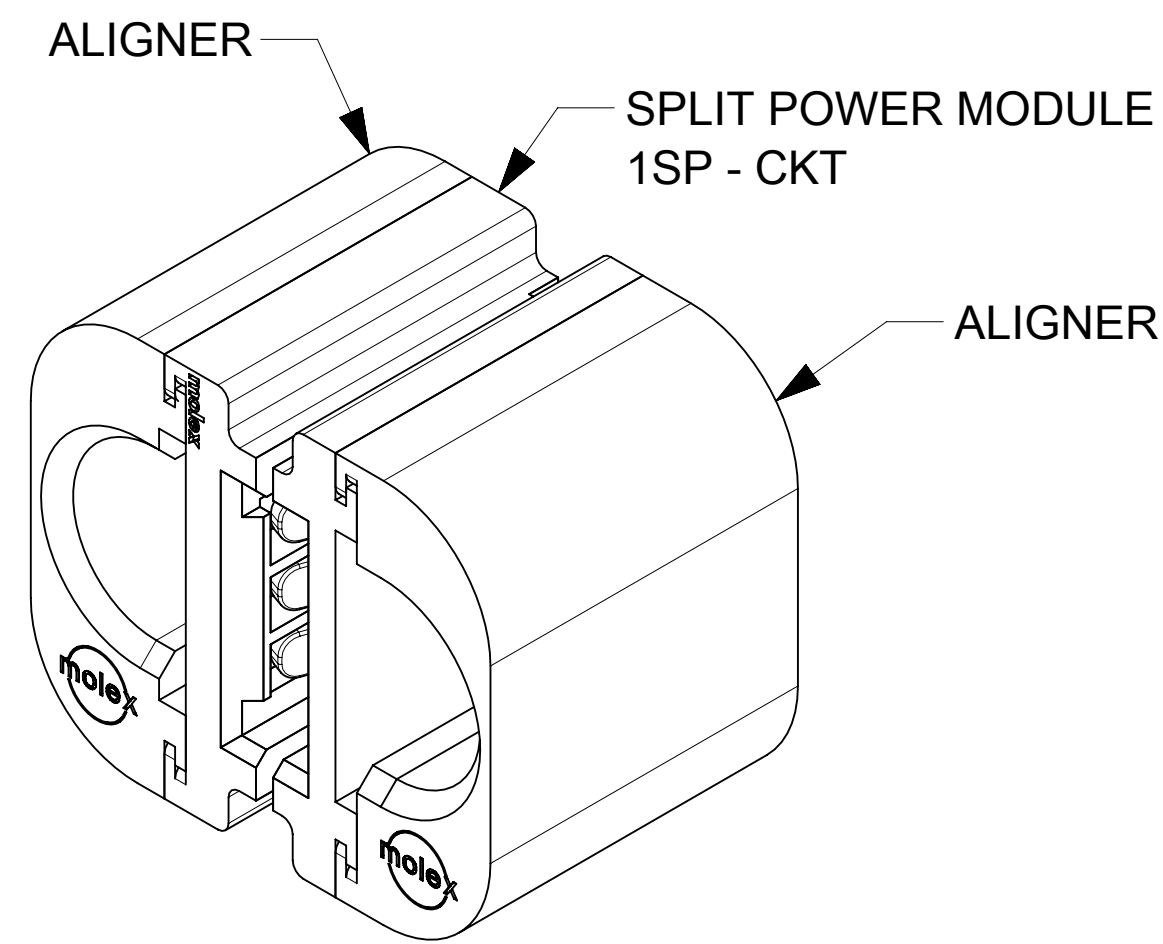
PRODUCT CUSTOMER DRAWING

DOCUMENT NUMBER: 1710898410, DOC TYPE: PSD, DOC PART: 000, REVISION: A2

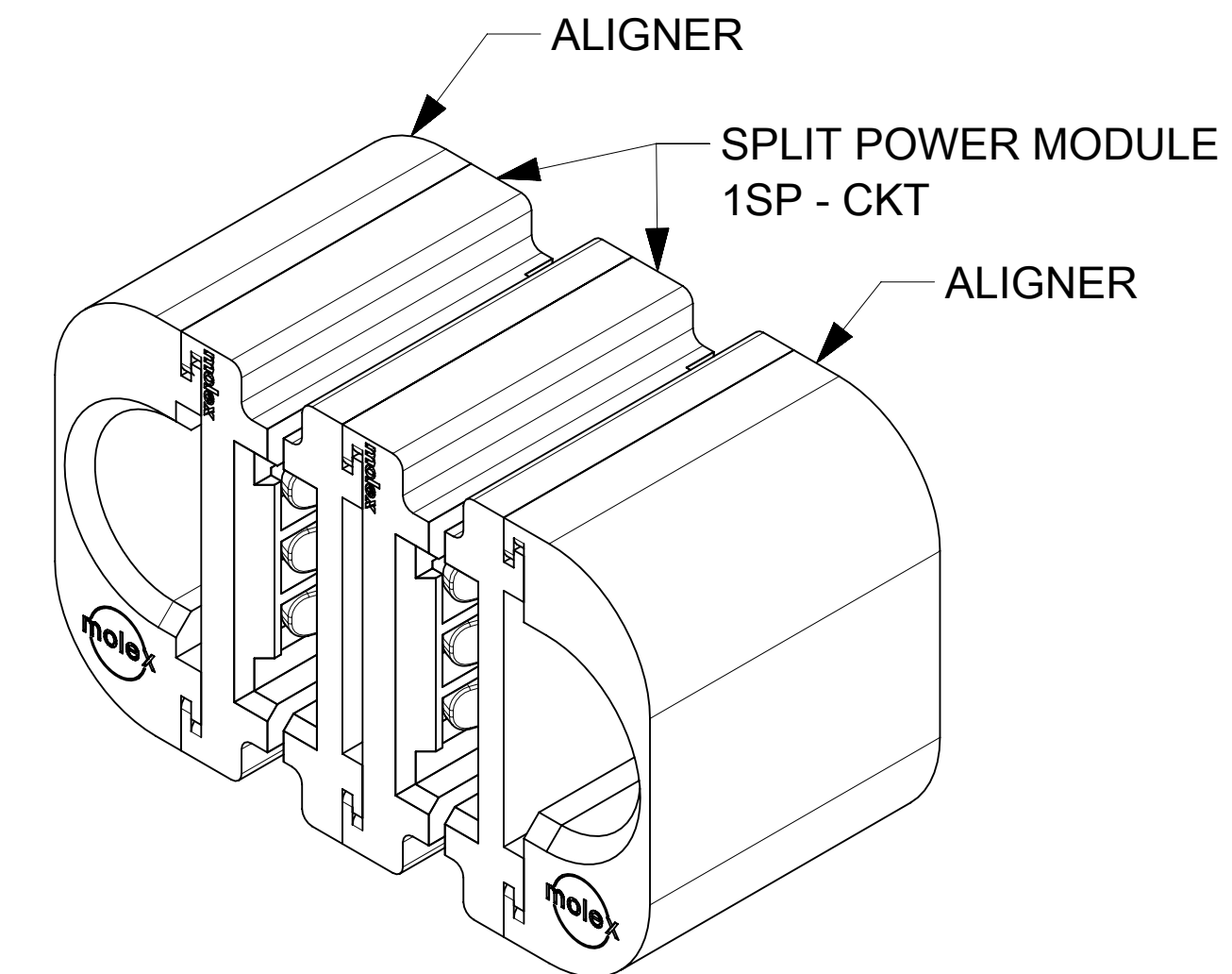
MATERIAL NUMBER: SEE TABLE, CUSTOMER: GENERAL MARKET, SHEET NUMBER: 1 OF 2

REFER TO BELOW TABLE FOR DIMENSIONS.

| FG P/N | CONFIGURATION | POWER CKT SIZE | DIM "A" (IN MM) | DIM "B" (IN MM) | HOLES COUNT "H1" | MATES WITH R/A PLUG ASSY P/N |
|------------|---------------|----------------|-----------------|-----------------|------------------|------------------------------|
| 1710898401 | G-1SP-G | 1 | 21.50 | 22.50 | 08 | 1710888401 |
| 1710898402 | G-2SP-G | 2 | 29.50 | 30.50 | 16 | 1710888402 |
| 1710898403 | G-3SP-G | 3 | 37.50 | 38.50 | 24 | 1710888403 |



P/N: 171089-8401 (G-1SP-G)



P/N: 171089-8402 (G-2SP-G)

| | | | | | | | | | | | | |
|-----------------------------------------------------------------------------------------------------------------------------------------------|--|-------|--|--------------------------------------------|--|---------|--|------------------------------------------|----------|--------------|--------------|----|
| THIS DRAWING CONTAINS INFORMATION THAT IS PROPRIETARY TO MOLEX ELECTRONIC TECHNOLOGIES, LLC AND SHOULD NOT BE USED WITHOUT WRITTEN PERMISSION | | | | | | | | | | | | |
| DIMENSION UNITS | | SCALE | | CURRENT REV DESC: REMOVED P/N 8404 TO 8410 | | | | | | molex | | |
| mm | | 4:1 | | | | | | | | | | |
| GENERAL TOLERANCES (UNLESS SPECIFIED) | | | | EC NO: 707711 | | | | | | | | |
| ANGULAR TOL ± 0.5° | | | | DRWN: KSUTAR 2022/05/19 | | | | G-*SP-G | | | | |
| 4 PLACES ± | | | | CHK'D: GJEEVANSURES 2022/05/23 | | | | VERT RECEPTACLE ASSY - TEN60 SPLIT POWER | | | | |
| 3 PLACES ± | | | | APPR: HTHYAGARAJ 2022/06/08 | | | | PRODUCT CUSTOMER DRAWING | | | | |
| 2 PLACES ± 0.13 | | | | INITIAL REVISION: | | | | DOCUMENT NUMBER | | | | |
| 1 PLACE ± 0.25 | | | | DRWN: KSUTAR 2021/09/28 | | | | 1710898410 | | PSD | 000 | A2 |
| 0 PLACES ± | | | | APPR: HTHYAGARAJ 2021/11/08 | | | | MATERIAL NUMBER | CUSTOMER | | SHEET NUMBER | |
| DRAFT WHERE APPLICABLE MUST REMAIN WITHIN DIMENSIONS | | | | THIRD ANGLE PROJECTION | | DRAWING | | SERIES | | SEE TABLE | | |
| | | | | D-SIZE | | 171089 | | GENERAL MARKET | | 2 OF 2 | | |