

4

3

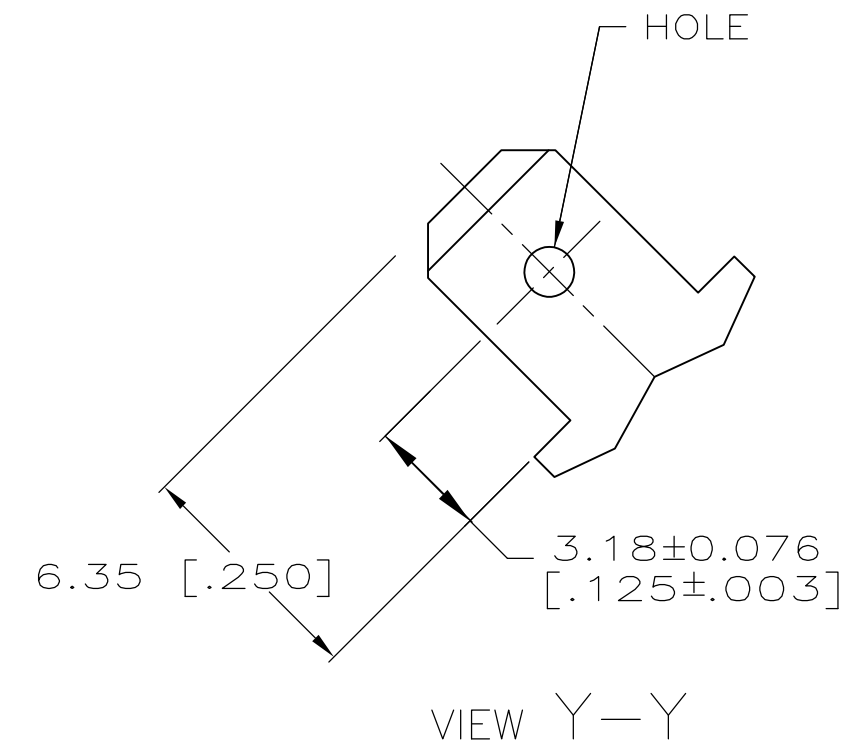
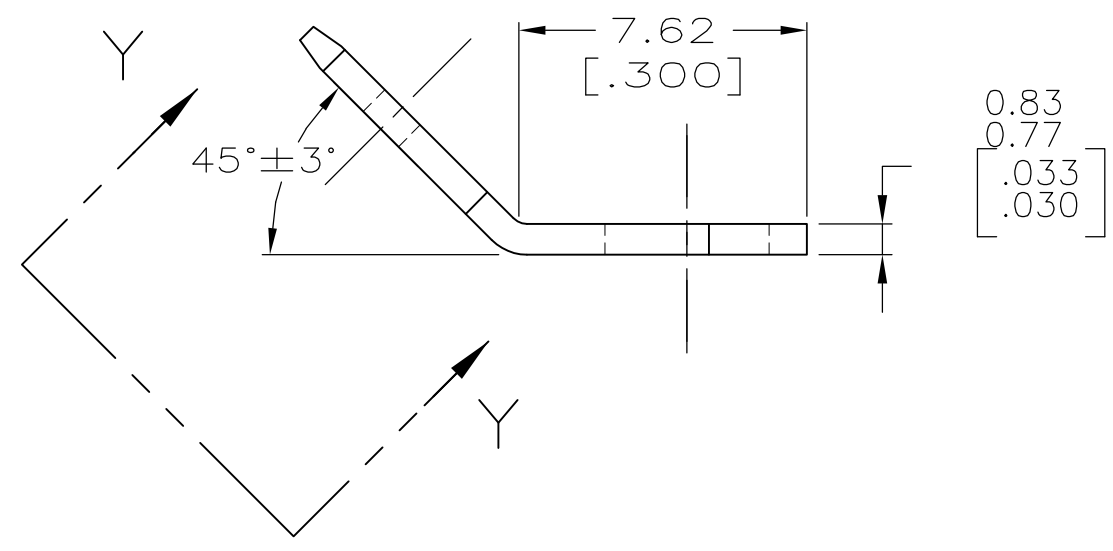
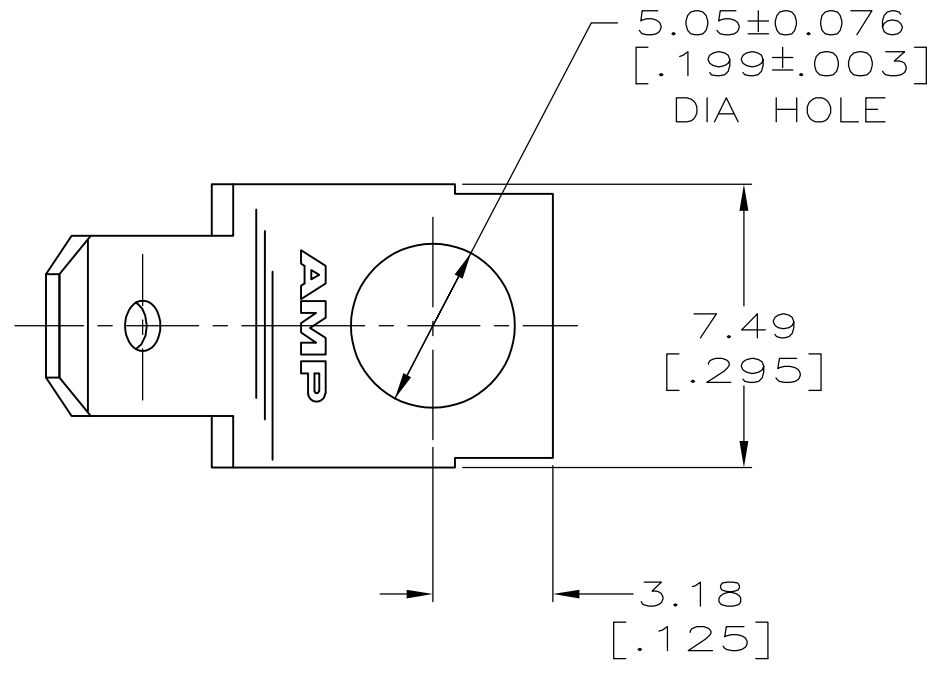
2

1

THIS DRAWING IS UNPUBLISHED. RELEASED FOR PUBLICATION
 © COPYRIGHT - By - ALL RIGHTS RESERVED.

LOC	DIST	REVISIONS			
P	LTR	DESCRIPTION	DATE	DWN	APVD
AF	50	D	REVISED PER ECR-13-011489	14DEC2013	KH PD

1 SUPPLIED IN LOOSE PIECE.



1217050-1
PART NO.

THIS DRAWING IS A CONTROLLED DOCUMENT.		DWN	JR RUTH	1/16/98	STE TE Connectivity		
DIMENSIONS: mm [INCHES]		CHK	MS FEHER	1/16/98			
TOLERANCES UNLESS OTHERWISE SPECIFIED:		APVD	J HUZVAR	1/16/98	TAB, FASTON™, 4.75 [.187] SERIES		
0 PLC ± -		PRODUCT SPEC		SIZE			RESTRICTED TO
1 PLC ± -		APPLICATION SPEC		CAGE CODE			D
2 PLC ± 0.38 [.015]		WEIGHT		DRAWING NO			
3 PLC ± -		MATERIAL		C-1217050			-
4 PLC ± -		FINISH		SCALE			
ANGLES ± -		BRASS		5:1			SHEET
TIN		CUSTOMER DRAWING		1 OF 1			
				REV			D