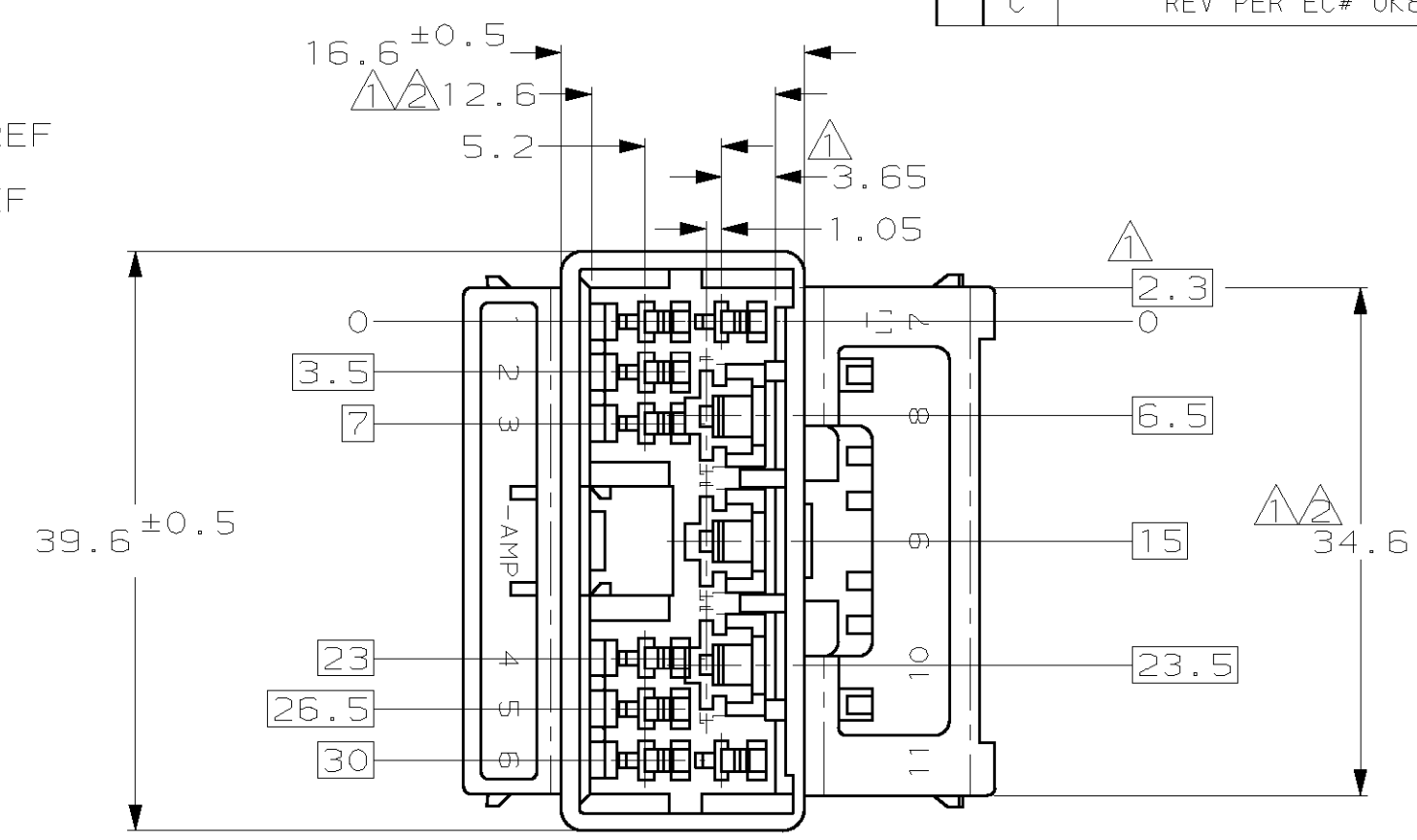
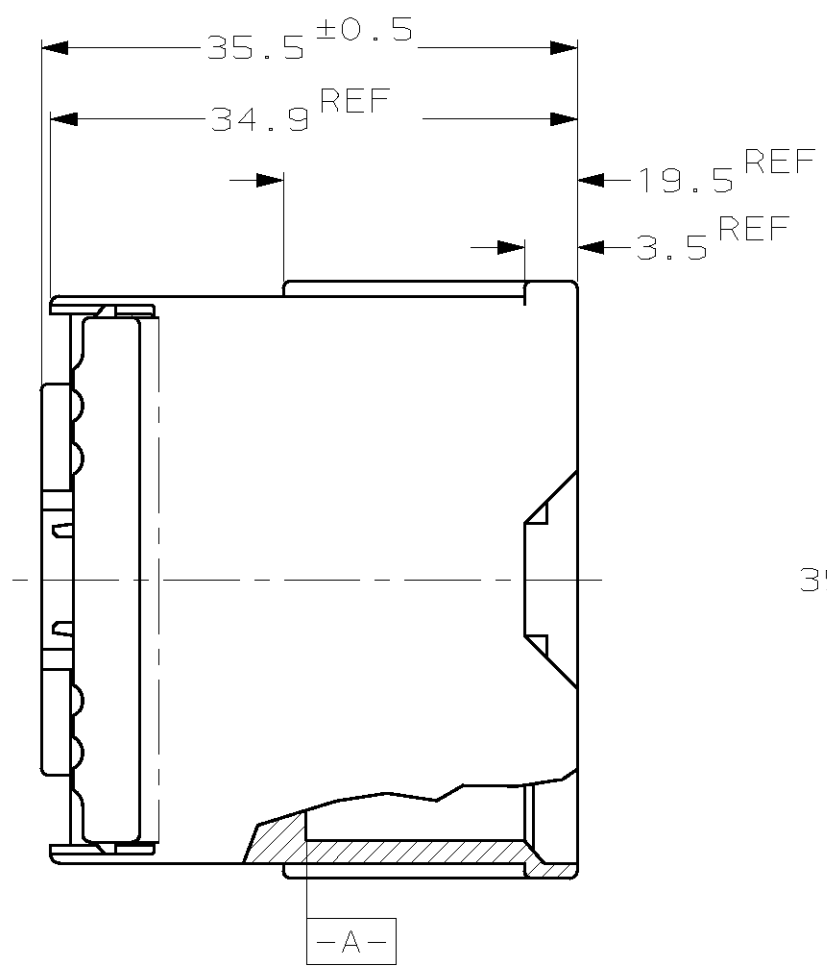
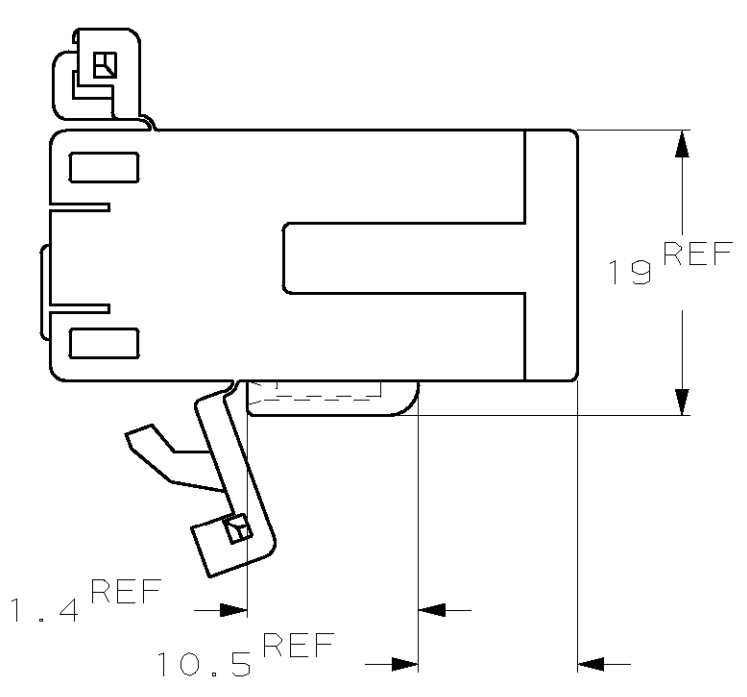


THIS DRAWING IS UNPUBLISHED. RELEASED FOR PUBLICATION, 19 .
 © COPYRIGHT 19 BY AMP INCORPORATED. ALL RIGHTS RESERVED.

LOC	DIST	REVISIONS			
P	LTR	DESCRIPTION	DATE	DWN	APVD
FX	00				
	B	REDRAWN W/CHANGES PER FJ00-1454-98	26AUG98	AY	KB
	B1	REVISED PER FJ00-2064-98	29OCT98	AY	KB
	C	REV PER EC# 0K80-0010-01	25JAN01	PC	SA



1 MUST BE KEPT BETWEEN -A- AND 2.
 2 TO BE MATED WITH THE PLUG HOUSING SMOOTHLY.
 3 APPLIED TAB CONTACT PARTS NUMBER; 173633, 170340 etc.
 4 APPLIED PLUG HOUSING PARTS NUMBER; 174925 etc.



BLUE	—//—	174940-5
BLACK	—//—	174940-2
WHITE	11 Pos Cap Housing	174940-1
COLOR	NAME	PARTS NUMBER

THIS DRAWING IS A CONTROLLED DOCUMENT.		DWN A. YAMAGUCHI 19AUG98	AMP Incorporated Harrisburg, PA 17105-3608			
DIMENSIONS: mm		CHK K. BETSUI 26AUG98				
TOLERANCES UNLESS OTHERWISE SPECIFIED:		APVD K. BETSUI 26AUG98	NAME .070 SRS MLC 11POS CAP HSG(W-W)			
0 PLC ±- 1 PLC ±0.2 2 PLC ±0.25 3 PLC ±0.3 4 PLC ANGLES ±- ±3°		PRODUCT SPEC 108-5624	SIZE A3	CAGE CODE 00779	DRAWING NO C- 174940	RESTRICTED TO -
MATERIAL PBT	FINISH ZFN	WEIGHT 11.7g	SCALE 2:1		SHEET 1 OF 1	REV C
CUSTOMER DRAWING						