

PRODUCT NUMBER

10118084-YXX-XXLF

PLATING
1=0.76µm GXT/GOLD ON CONTACT
2µm TIN MIN ON TAILS

4=2µm TIN MIN FULL PLATED

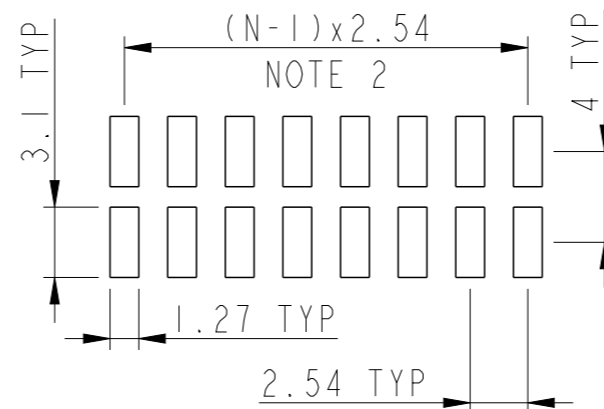
8=0.38µm GXT/GOLD ON CONTACT
2µm TIN MIN ON TAILS

RoHS COMPATIBLE,
SEE NOTE 4

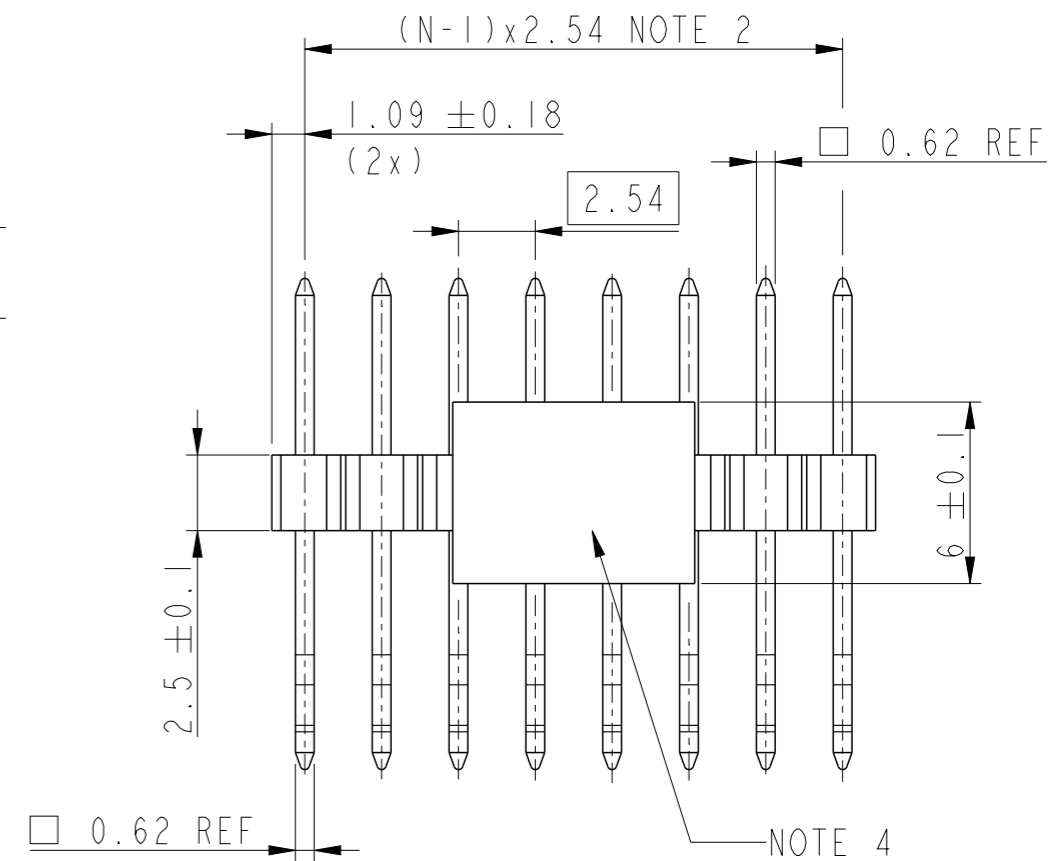
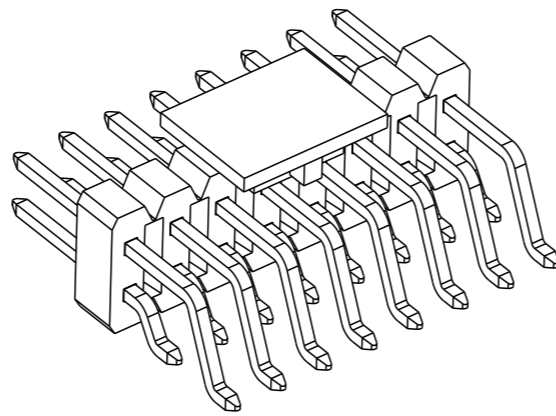
TOTAL Nb OF POSITIONS
04 TO 30

PACKAGING OR OPTION
NOTE 3

STYLE	DIM "A" ±0.2
01	5.84
02	8.08
03	3.20
04	8.80

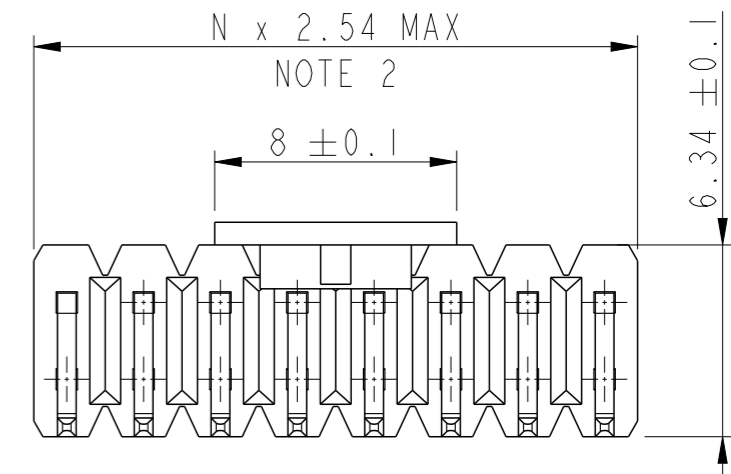
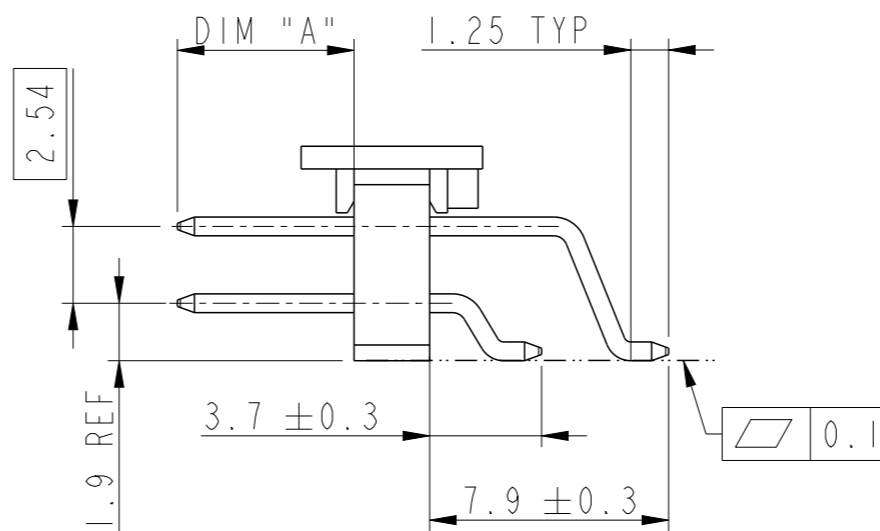


PCB LAYOUT



NOTES:

- 1 - MATERIAL:
 - BODY: HIGH TEMPERATURE THERMOPLASTIC UL94V-0 COLOUR BLACK
 - PIN: COPPER ALLOY
- 2 - TO DETERMINATE DIMENSIONS :
 - N = NUMBER OF POSITIONS
 - EXAMPLE : 8 POS x 2.54=20.32
- 3 - PACKAGING:
 - A = TAPE & REEL PACKAGING WITH PICK UP CAP AS PER GS-14-2357
 - = POLYBAGS
 - C = CUSTOMER DEDICATED OPTION
- 4 - RoHS COMPATIBLE PRODUCT SPECIFICATIONS :
 - a - PLATING : "LF" MEANS THE PRODUCT IS LEAD FREE, 2µm MINIMUM MATTE TIN OVER 1.27µm, MINIMUM NICKEL UNDERPLATED
 - b - MANUFACTURING PROCESS COMPATIBILITY : THE HOUSING WILL WITHSTAND EXPOSURE TO 260°C PEAK TEMPERATURE FOR 30 SECONDS MAX IN CONVECTION INFRA-RED OR VAPOR PHASE OR REFLOW OVEN
 - c - LABELLING : MEETS PACKAGING SPECS AS PER GS-14-920
 - d - LEGAL STATEMENT : SEE GS-47-0004
- 5 - PRODUCT SPECIFICATION AS PER BUS-12-114 EXCEPT PIN RETENTION FORCE 5N MIN



spec ref	-	dr	Aymeric Soudy	2014/02/21	projection	MM	size	A3	scale	4:1
tolerance std	ISO 406 ISO 1101	eng	Laurent Mulin	2023/05/12			ecn no	ELX-F-47913-1		
surface	linear	chr	-	apppr			Lamy, Alexandr	2023/05/12	product family	-
	angular	Amphenol FCI www.fci.com		2.54mm UNSH HEADER HORIZ DOUBLE ROW SMT		dwg no	10118084		rev	F
ISO 1302	0.X ±0.3 0.XX ±0.13 0.XXX ±0.050 0° ±2°	cat. no.	-		Product - Customer Drw		sheet 1 of 1			