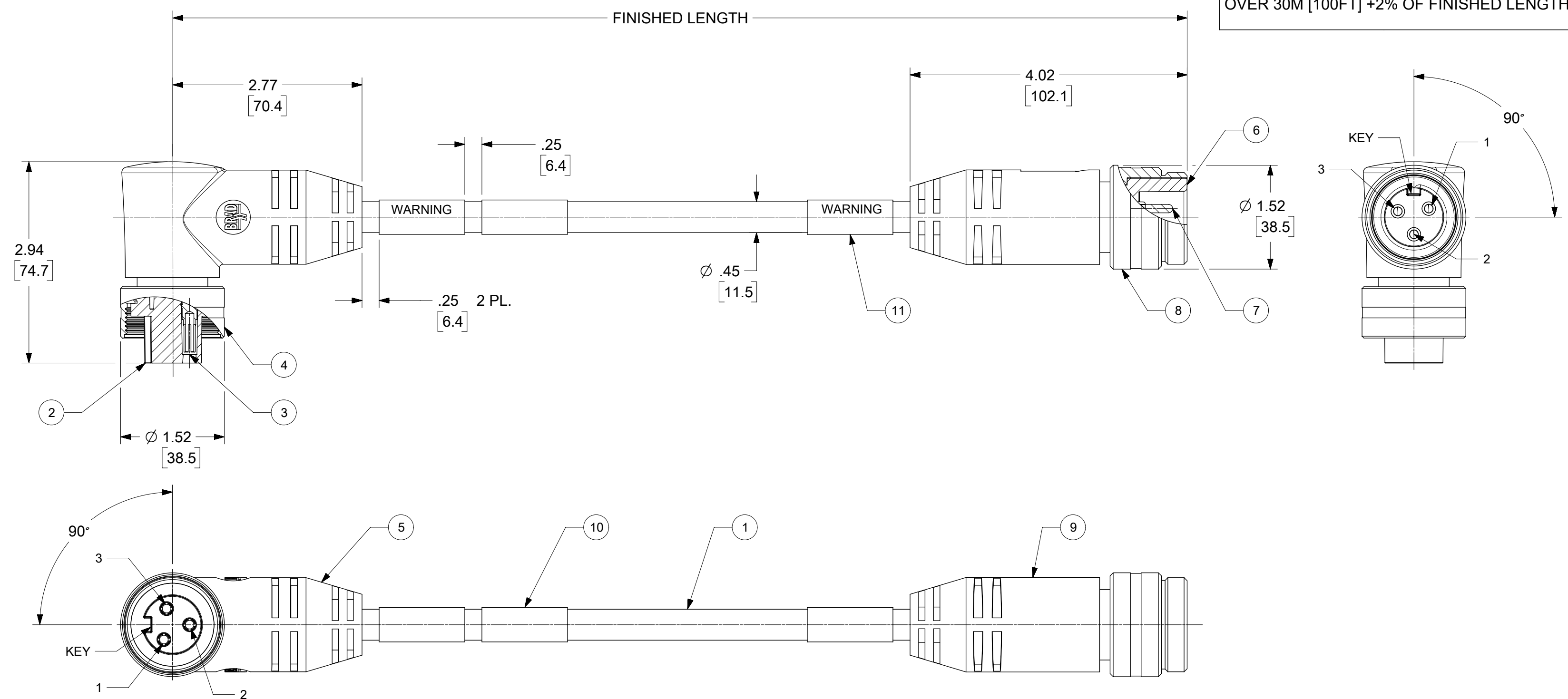


PART NO.	ENG. NO.	FINISHED LENGTH	OVERMOLD COLOR
1300640465	CC3031K19M020E	6 FT 7 IN [2.0M]	RED
1300640530	CC3031K19M015G	4 FT 11 IN [1.5M]	BLACK

CABLE LENGTH TOLERANCES	
>.3M [1FT]:	+19mm-0 [+ .75in-0]
.3 - .9M [1 - 3FT]:	+44.5mm-0 [+1.75in-0]
.9 - 1.8M [3 - 6FT]:	+55.6mm-0 [+2.19in-0]
1.8 - 3.7M [6 - 12FT]:	+88.9mm-0 [+3.50in-0]
3.7 - 7.3M [12 - 24FT]:	+165.1mm-0 [+6.50in-0]
7.3-14.6M [24 - 48FT]:	+317.5mm-0 [+12.50in-0]
14.6 - 30.5M [48-100FT]:	+622.3mm-0 [+24.50in-0]
OVER 30M [100FT]:	+2% OF FINISHED LENGTH



- NOTES:
- MATERIAL: AS NOTED
  - FINISH: AS NOTED
  - ELECTRICAL:  
VOLTAGE: 630V PER IEC60664  
600V PER UL2237  
CURRENT: 32A
  - TEMP RATING: -20°C TO +90°C
  - PROTECTION: IP67 (WHEN MATED)
  - COUPLING THREAD: 1 3/8-16 UN
  - UL LISTED FILE: E258922
  - ALL DIMS ARE FOR REFERENCE UNLESS TOLERANCED OR NOTED OTHERWISE

**CC3031K19M015G**

LENGTH ——— OVERMOLD COLOR  
M001 = .1 METERS      BLANK = GRAY  
M010 = 1.0 METERS      G = BLACK  
M100 = 10 METERS      E = RED

ITEM	DESCRIPTION	MATERIAL	FINISH
11	WARNING LABEL	VINYL	BLACK/ORANGE
10	WRAP LABEL	VINYL	BLACK/YELLOW
9	OVERMOLD (STRAIGHT)	TPE	SEE P/N CHART
8	COUPLING (EXT. THREAD)	ALUMINUM	CLEAR ANODIZE
7	CONTACT PIN	Cu alloy	GOLD PLATED
6	INSERT (MALE)	TPE	BLACK
5	OVERMOLD (90 DEG)	TPE	SEE P/N CHART
4	COUPLING (INT. THREAD)	ALUMINUM	CLEAR ANODIZE
3	CONTACT SOCKET	Cu ALLOY	GOLD PLATED
2	INSERT (FEMALE)	TPE	BLACK
1	CABLE, 10/3 TC-ER	TPE JACKET	BLACK

	SI	P2
1	BLACK	1
2	GREEN-YELLOW	2
3	WHITE	3

WIRE DIAGRAM

FUNCTIONAL SYMBOLS	THIS DRAWING CONTAINS INFORMATION THAT IS PROPRIETARY TO MOLEX ELECTRONIC TECHNOLOGIES, LLC AND SHOULD NOT BE USED WITHOUT WRITTEN PERMISSION		CURRENT REV DESC: UPDATE DOC PER LATEST STD. REMOVE 'RED' FROM TITLE. PVC INSERTS AND O-MOLDS WERE PVC	<b>molex</b>
	DIMENSION UNITS	SCALE		
$\frac{F}{A} = 0$	INCH/MM	1:1	EC NO: 645549	BRAD POWER CORD ASSEMBLY (QUICK CHANGE) 3P, MALE STR TO FEM 90D, SK, 10AWG TPE CABLE
$\frac{F}{C} = 0$	GENERAL TOLERANCES (UNLESS SPECIFIED)		DRWN: RSTONE 2020/09/15	
$\frac{F}{P} = 0$	4 PLACES	±	CHK'D: MZIELINSKI 2020/09/17	PRODUCT CUSTOMER DRAWING
DIVISIONAL SYMBOLS	3 PLACES	±	APPR: BWOODMAN 2020/10/02	
	2 PLACES	±	INITIAL REVISION:	DOCUMENT NUMBER
	1 PLACE	±	DRWN: RSTONE 2015/12/17	SD-130064-009
	0 PLACES	±	APPR: BWOODMAN 2016/02/29	DOC TYPE
	ANGULAR TOL	± °		PSD
	DRAFT WHERE APPLICABLE MUST REMAIN WITHIN DIMENSIONS		THIRD ANGLE PROJECTION	DOC PART
			DRAWING	001
			SERIES	B
			C-SIZE	130064
			MATERIAL NUMBER	SEE P/N LEGEND
			CUSTOMER	GENERAL MARKET
			SHEET NUMBER	1 OF 1