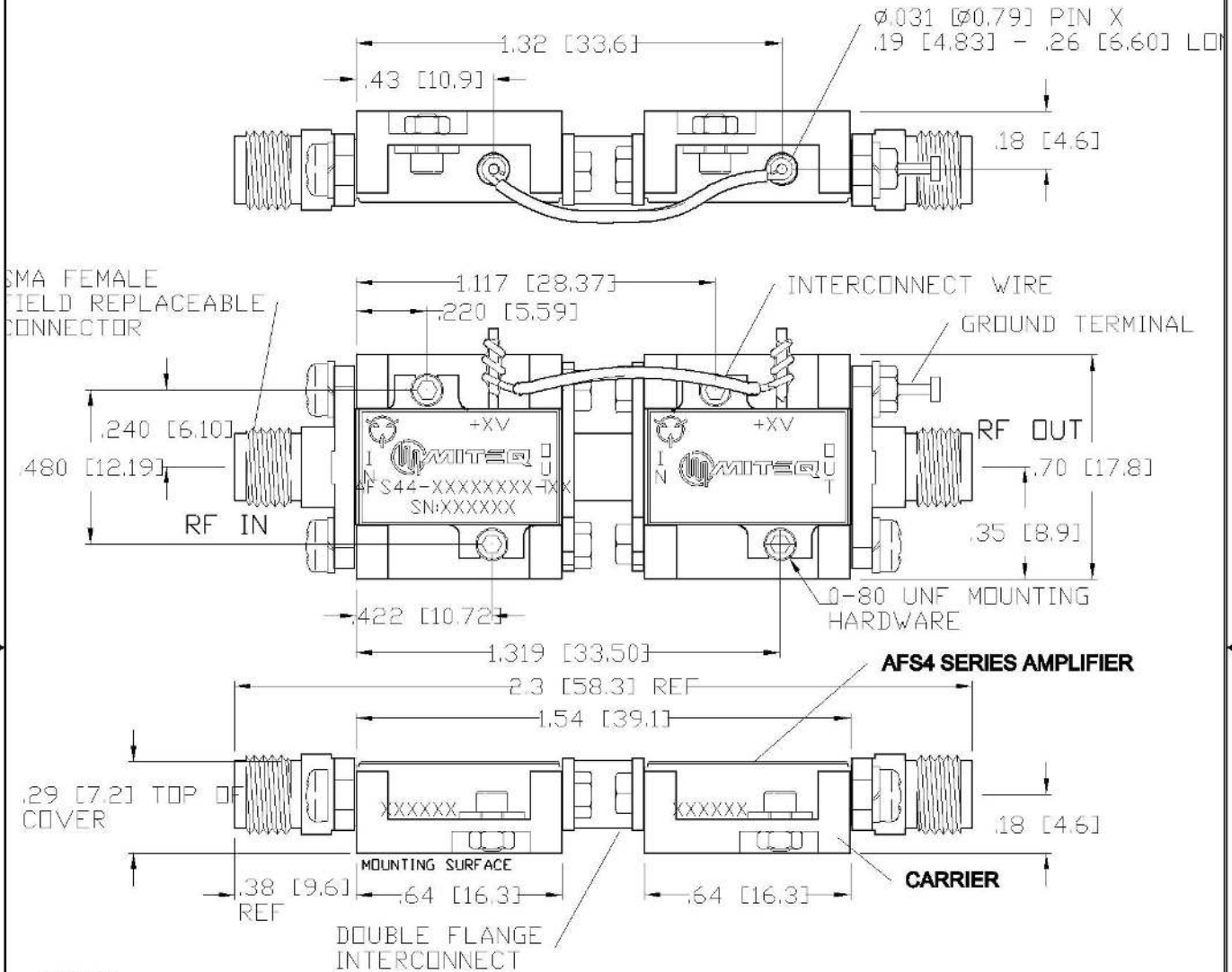


| DASH NO. | APPLICATION | | REVISIONS | | | |
|----------|-------------|---------|-----------|-----------------------|----------|----------|
| | NEXT ASSY | USED ON | LTR | DESCRIPTION | DATE | APPROVED |
| | | | C | Incorporate ECN 31525 | 08/05/14 | RScherer |



- NOTES:**
1. DIMENSIONS IN BRACKET ARE METRIC EQUIVALENTS.
 2. MARKING MAY VARY AS PER CUSTOMER SPECIFICATIONS.
 3. EXISTING 0-80 MOUNTING HARDWARE CAN BE REPLACED WITH LONGER SCREWS FOR MOUNTING.

| | | | | | |
|---|---------------------|----------|---|-----------------|--------------|
| UNLESS OTHERWISE SPECIFIED DIMENSIONS ARE IN INCHES TOLERANCES ON | NAME | DATE | 100 Davids Drive, Hauppauge, New York 11788 | | |
| | DWN RScherer | 02/16/01 | | | |
| DECIMAL .X ±0.1 [2.5] | DFT RScherer | 08/05/14 | CASCADING AMPLIFIER AFS44 OUTLINE | | |
| DECIMAL .XX ±0.01 [0.25] | DGN RScherer | 08/05/14 | | | |
| DECIMAL .XXX ±0.005 [0.13] | PRQJ ENDR Buonaiuto | 08/05/14 | SIZE | CODE IDENT. NO. | REV |
| ANGLES X° ±30' | MFG ENGR | | A | 33592 140941 | C |
| PROJECTION | Q.C. | | SCALE | PROJECT | SHEET 1 1 OF |
| | CUST | | | | |