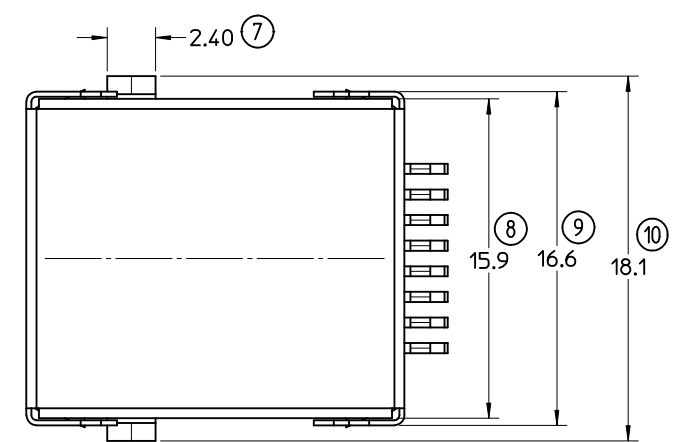


PART No.	
95622-4881	



- NOTES:**
- 1- JACK FOR MATING WITH SHIELDED PLUG (MOLEX 95043 AND 85568 SERIES)
 - 2- PRODUCT SPECIFICATION: PS-95622-001
 - 3- PACKAGING SPECIFICATION: PK-95122 SHEET 2 (BLISTER ON REEL)
 - 4- P.C.B THICKNESS: 1.57
 - 5- COPLANARITY OF SIGNAL LEADS: 0.10 MAX

LAST INSPECTION No: (20)

TECHNICAL SPECIFICATIONS:

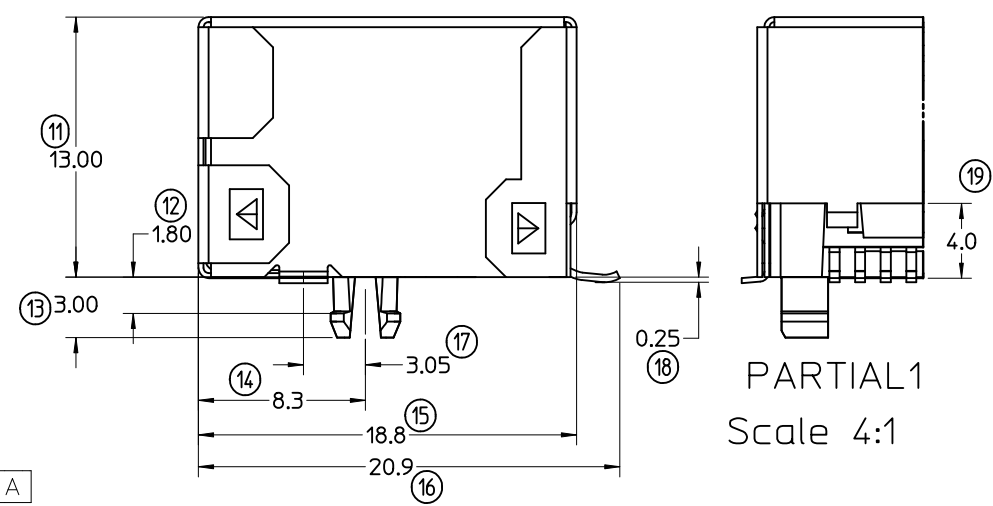
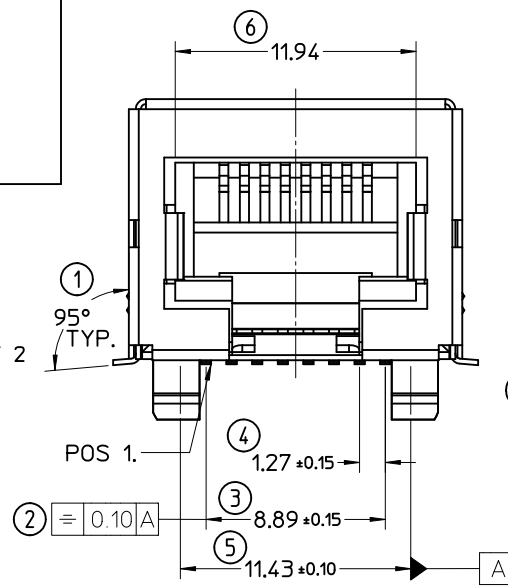
MATERIAL:
HOUSING: LCP GLASS FILLED UL 94V-0
COLOUR BLACK

TERMINAL: COPPER ALLOY PLATED WITH:
BASE FINISH: NICKEL
CONTACT SURFACE FINISH:

GOLD
OR
GOLD FLASH OVER PALLADIUM NICKEL.

EXCEEDS PRODUCT REQUIREMENTS BASED ON PS-95622-001

SHIELD: COPPER ALLOY PLATED WITH TIN.



REMOVED OPTION EC NO: IPG2012-0746 DRWING: DBYRNES 2012/04/17 CHKD: APPR: EFOLAN 2012/06/26 DESCRIPTION	QUALITY SYMBOLS	GENERAL TOLERANCES (UNLESS SPECIFIED)	DIMENSION STYLE	SCALE	DESIGN UNITS	THIRD ANGLE PROJECTION															
	$\nabla = 0$ $\square = 0$	<table border="1"> <thead> <tr> <th></th> <th>mm</th> <th>INCH</th> </tr> </thead> <tbody> <tr> <td>4 PLACES</td> <td>± ---</td> <td>± ---</td> </tr> <tr> <td>3 PLACES</td> <td>± ---</td> <td>± ---</td> </tr> <tr> <td>2 PLACES</td> <td>± 0.25</td> <td>± ---</td> </tr> <tr> <td>1 PLACE</td> <td>± 0.35</td> <td>± ---</td> </tr> </tbody> </table>		mm	INCH	4 PLACES	± ---	± ---	3 PLACES	± ---	± ---	2 PLACES	± 0.25	± ---	1 PLACE	± 0.35	± ---	MM ONLY	4:1	METRIC	
		mm	INCH																		
	4 PLACES	± ---	± ---																		
3 PLACES	± ---	± ---																			
2 PLACES	± 0.25	± ---																			
1 PLACE	± 0.35	± ---																			
	<table border="1"> <thead> <tr> <th></th> <th>mm</th> <th>INCH</th> </tr> </thead> <tbody> <tr> <td>ANGULAR</td> <td>± 2 °</td> <td></td> </tr> </tbody> </table>		mm	INCH	ANGULAR	± 2 °		DRAWN BY: DBYRNES DATE: 2006/07/27 CHECKED BY: EOMAHONY DATE: 2006/07/28 APPROVED BY: EOMAHONY DATE: 2006/07/28 MATERIAL NO.	TITLE	FULLY SHIELDED SMT R/A MODULAR JACKS 8 CKT											
	mm	INCH																			
ANGULAR	± 2 °																				
	DRAFT WHERE APPLICABLE MUST REMAIN WITHIN DIMENSIONS	SEE CHART	MOLEX INCORPORATED DOCUMENT NO. SD-95622-006	SHEET NO.	1 OF 1																