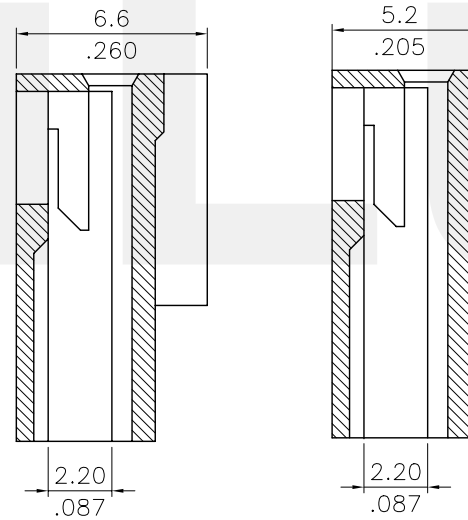
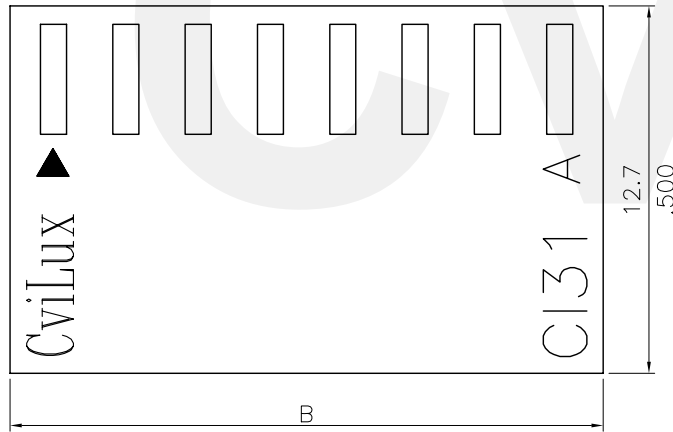
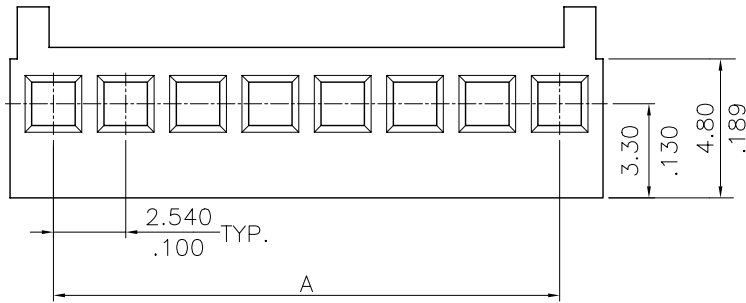


Material:  
Nylon 66 UL 94V-2  
Color Ivory

Ordering Code :

CI31 \*\* S \*\*\*\*  
① ② ③ ④

- ① Series No.
- ② No. of Circuits:
- ③ S= Connector housing
- ④ Other Options:  
0000= With Polarizing Ribs(Standard)  
NP00= Without Polarizing Ribs



P/N:CI31\*\*S0000

P/N:CI31\*\*SNP00



Circuits	Dimension	
	A	B
2	2.54(.100)	5.6(.220)
3	5.08(.200)	8.1(.319)
4	7.62(.300)	10.7(.421)
5	10.16(.400)	13.2(.520)
6	12.70(.500)	15.8(.622)
7	15.24(.600)	18.3(.720)
8	17.78(.700)	20.8(.819)
9	20.32(.800)	23.4(.921)
10	22.86(.900)	25.9(1.020)
11	25.40(1.000)	28.5(1.122)
12	27.94(1.100)	31.0(1.220)
13	30.48(1.200)	33.5(1.319)
14	33.02(1.300)	36.1(1.421)
15	35.56(1.400)	38.6(1.520)
16	38.10(1.500)	41.2(1.622)
17	40.64(1.600)	43.7(1.720)
18	43.18(1.700)	46.2(1.819)
19	45.72(1.800)	48.8(1.921)
20	48.26(1.900)	51.3(2.020)

Halogen-Free

RoHS Compliant



瀚荃股份有限公司  
CviLux Corporation

SYM	NAME	DATE	REVISIONS	APPROVED BY:	DATE	UNIT: mm / inch	TITLE: 2.54MM(.100") CRIMP TERMINAL HOUSING
④							
③							
②							
①	Eager	6/17/06'	ECN06193	Alex	06/22-06'	.X ± 0.30/.012 X' ± 1'	MATERIAL:
						.XX ± 0.20/.008 .X' ±	FINISH:
						.XXX ± 0.10/.004 .XX' ±	

CVILUX.CORP  
2006.06.22  
ISSUED

DRAWN BY: Eager  
ENGINEER: Eisley  
CHECKED BY: Alex  
APPROVED BY: Alex

DRAWING NO.	CI3101SD	PART NO.	CI31**S****
SCALE	5 / 1	SHEET	1 OF 1