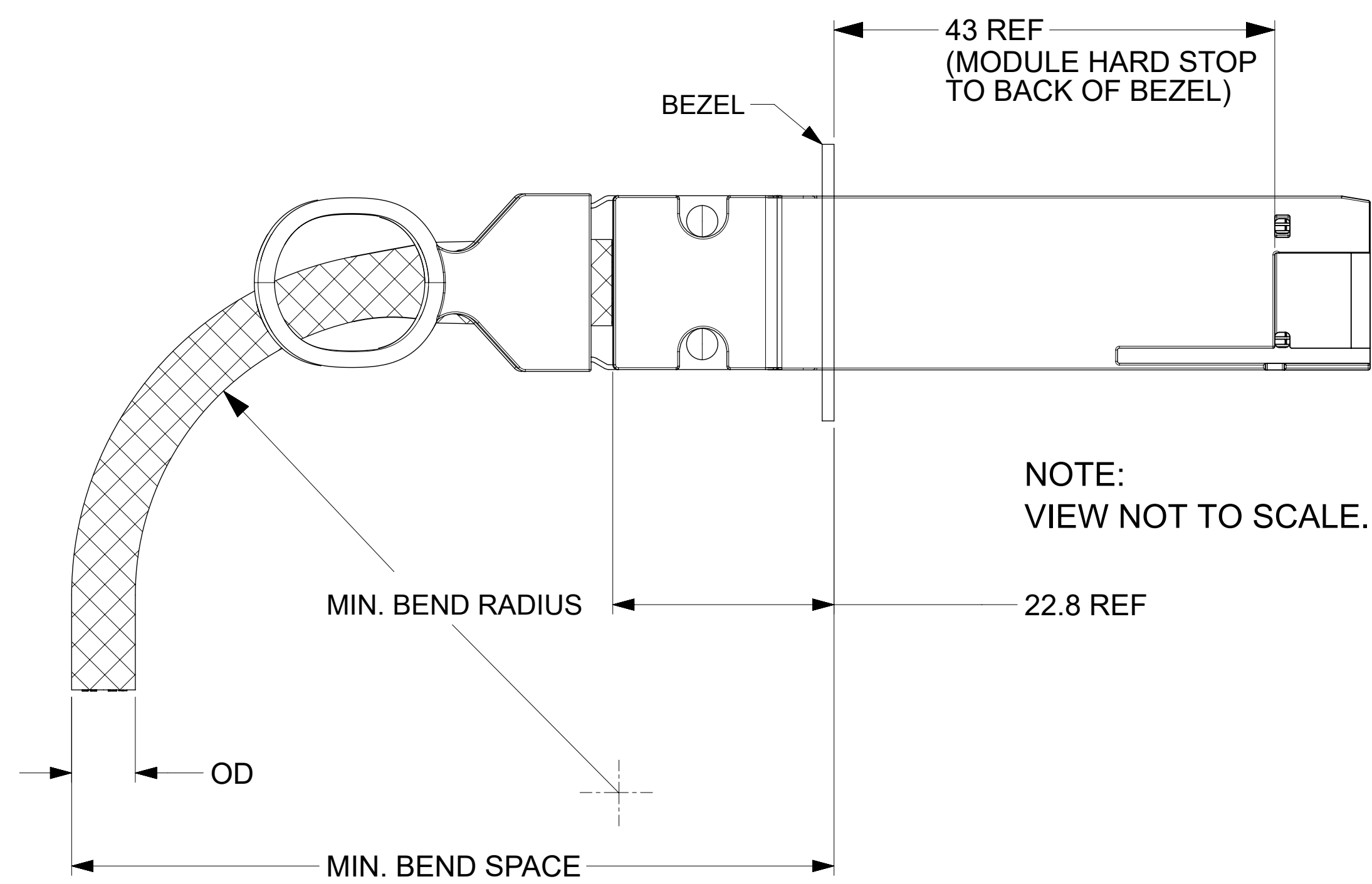


- NOTES:**
- CABLE LENGTH DEPENDS ON WIRE GAUGE, DATA RATE, AND HOST BOARD DRIVER CAPABILITIES
 - MATERIALS:**
 - BACKSHELLS - ZINC DIE CAST WITH BRIGHT NICKEL PLATING
 - DELATCH - STAINLESS STEEL WITH OVERMOLDED NYLON
 - RIVETS - STAINLESS STEEL
 - IMPEDANCE - 100 OHMS DIFFERENTIAL
 - CABLE IS UL RECOGNIZED (TBD)
 - EEPROM MAP AVAILABLE UPON REQUEST
 - RoHS COMPLIANT, NO EXEMPTIONS

THIS DRAWING CONTAINS INFORMATION THAT IS PROPRIETARY TO MOLEX ELECTRONIC TECHNOLOGIES, LLC AND SHOULD NOT BE USED WITHOUT WRITTEN PERMISSION											
DIMENSION UNITS		SCALE		CURRENT REV DESC: SHEET 1 : VIEWS UPDATED							
mm		2:1		molex QSFP-DD TO QSFP-DD 25G PASSIVE CABLE ASY PRODUCT CUSTOMER DRAWING DOCUMENT NUMBER: 2063141005 DOC TYPE: PSD DOC PART: 000 REVISION: C EC NO: 650496 DRWN: ADITHK 2020/12/01 CHK'D: SKAMATHN 2020/12/02 APPR: KNAGANNA 2020/12/02 INITIAL REVISION: DRWN: SRATKOVIC 2017/12/18 APPR: ADTUCKER 2018/01/05 DRAFT WHERE APPLICABLE MUST REMAIN WITHIN DIMENSIONS THIRD ANGLE PROJECTION DRAWING: D-SIZE SERIES: 206314 MATERIAL NUMBER: SEE P/N TABLE CUSTOMER: GENERAL MARKET SHEET NUMBER: 1 OF 3							
GENERAL TOLERANCES (UNLESS SPECIFIED)											
ANGULAR TOL ± 5.0°											
4 PLACES ±											
3 PLACES ±											
2 PLACES ± 0.13											
1 PLACE ± 0.25											
0 PLACES ±											

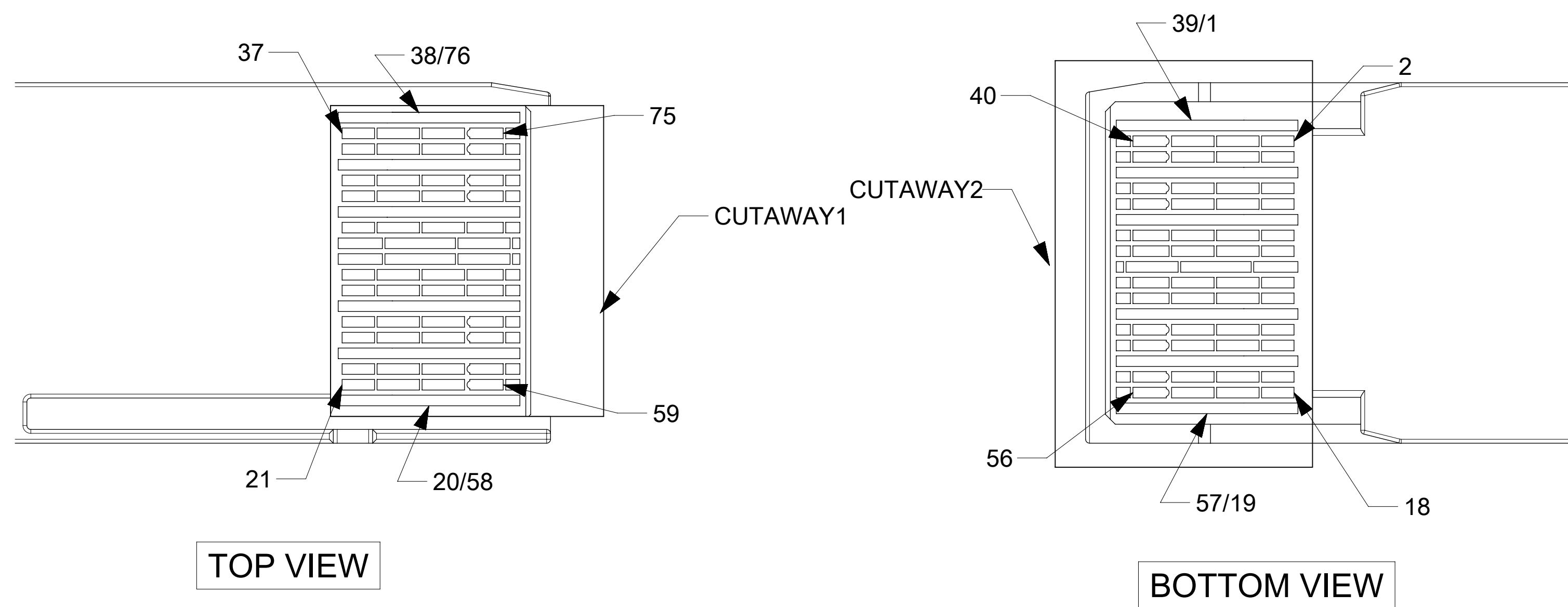
CABLE BEND RADIUS



NOTE:
VIEW NOT TO SCALE.

CABLE AWG	OD (mm)	MIN BEND RADIUS (mm)	MIN BEND SPACE (mm)
28	(11)	(55)	(89)
30	(9.4)	(47)	(79)

! MINIMUM BEND RADIUS PENDING QUALIFICATION. NUMBERS ABOVE ARE ESTIMATES AND SUBJECT TO CHANGE.



TOP VIEW

BOTTOM VIEW

- NOTES:
- DC BLOCKING CAPS ON RECEIVE SIDE ONLY
 - CABLE COILED AND PACKAGED IN BEST FIT ESD BAG AND SEALED WITH ESD LABEL FOR SHIPPING

LOW SPEED SIGNALS P1 & P2	
PAD	SIGNAL
8	MODSELL
9	RESETL
10	VCCRFX
11	SCL
12	SDA
27	MODPRSL
28	INTL
29	VCCTX
30	VCC1
31	INIT_MODE
46	OPEN
47	OPEN
48	OPEN
49	OPEN
50	OPEN
65	OPEN
66	OPEN
67	OPEN
68	OPEN
69	OPEN

WIRING DIAGRAM				
P1 END		P2 END		
Pad	Signal	Pad	Signal	Signal
1	GND	---	20	GND
2	TX2n	--->	21	RX2n
3	TX2p	--->	22	RX2p
4	GND	---	23	GND
5	TX4n	--->	24	RX4n
6	TX4p	--->	25	RX4p
7	GND	---	26	GND
13	GND	---	32	GND
14	RX3p	<---	33	TX3p
15	RX3n	<---	34	TX3n
16	GND	---	35	GND
17	RX1p	<---	36	TX1p
18	RX1n	<---	37	TX1n
19	GND	---	38	GND
20	GND	---	1	GND
21	RX2n	<---	2	TX2n
22	RX2p	<---	3	TX2p
23	GND	---	4	GND
24	RX4n	<---	5	TX4n
25	RX4p	<---	6	TX4p
26	GND	---	7	GND
32	GND	---	13	GND
33	TX3p	--->	14	RX3p
34	TX3n	--->	15	RX3n
35	GND	---	16	GND
36	TX1p	--->	17	RX1p
37	TX1n	--->	18	RX1n
38	GND	---	19	GND

WIRING DIAGRAM				
P1 END		P2 END		
Pad	Signal	Pad	Signal	Signal
39	GND	---	58	GND
40	TX6n	--->	59	RX6n
41	TX6p	--->	60	RX6p
42	GND	---	61	GND
43	TX8n	--->	62	RX8n
44	TX8p	--->	63	RX8p
45	GND	---	64	GND
51	GND	---	70	GND
52	RX7p	<---	71	TX7p
53	RX7n	<---	72	TX7n
54	GND	---	73	GND
55	RX5p	<---	74	TX5p
56	RX5n	<---	75	TX5n
57	GND	---	76	GND
58	GND	---	39	GND
59	RX6n	<---	40	TX6n
60	RX6p	<---	41	TX6p
61	GND	---	42	GND
62	RX8n	<---	43	TX8n
63	RX8p	<---	44	TX8p
64	GND	---	45	GND
70	GND	---	51	GND
71	TX7p	--->	52	RX7p
72	TX7n	--->	53	RX7n
73	GND	---	54	GND
74	TX5p	--->	55	RX5p
75	TX5n	--->	56	RX5n
76	GND	---	57	GND

THIS DRAWING CONTAINS INFORMATION THAT IS PROPRIETARY TO MOLEX ELECTRONIC TECHNOLOGIES, LLC AND SHOULD NOT BE USED WITHOUT WRITTEN PERMISSION									
DIMENSION UNITS		SCALE		CURRENT REV DESC: SHEET 1 : VIEWS UPDATED					
mm		20:1							
GENERAL TOLERANCES (UNLESS SPECIFIED)				EC NO: 650496					
ANGULAR TOL ± 5.0°				DRWN: ADITHK 2020/12/01					
4 PLACES ±				CHK'D: SKAMATHN 2020/12/02					
3 PLACES ±				APPR: KNAGANNA 2020/12/02					
2 PLACES ± 0.13				INITIAL REVISION:					
1 PLACE ± 0.25				DRWN: SRATKOVIC 2017/12/18					
0 PLACES ±				APPR: ADTUCKER 2018/01/05					
DRAFT WHERE APPLICABLE MUST REMAIN WITHIN DIMENSIONS				THIRD ANGLE PROJECTION		DRAWING		SERIES	
				D-SIZE		206314		MATERIAL NUMBER	
				SEE P/N TABLE		CUSTOMER		SHEET NUMBER	
				GENERAL MARKET		2 OF 3			

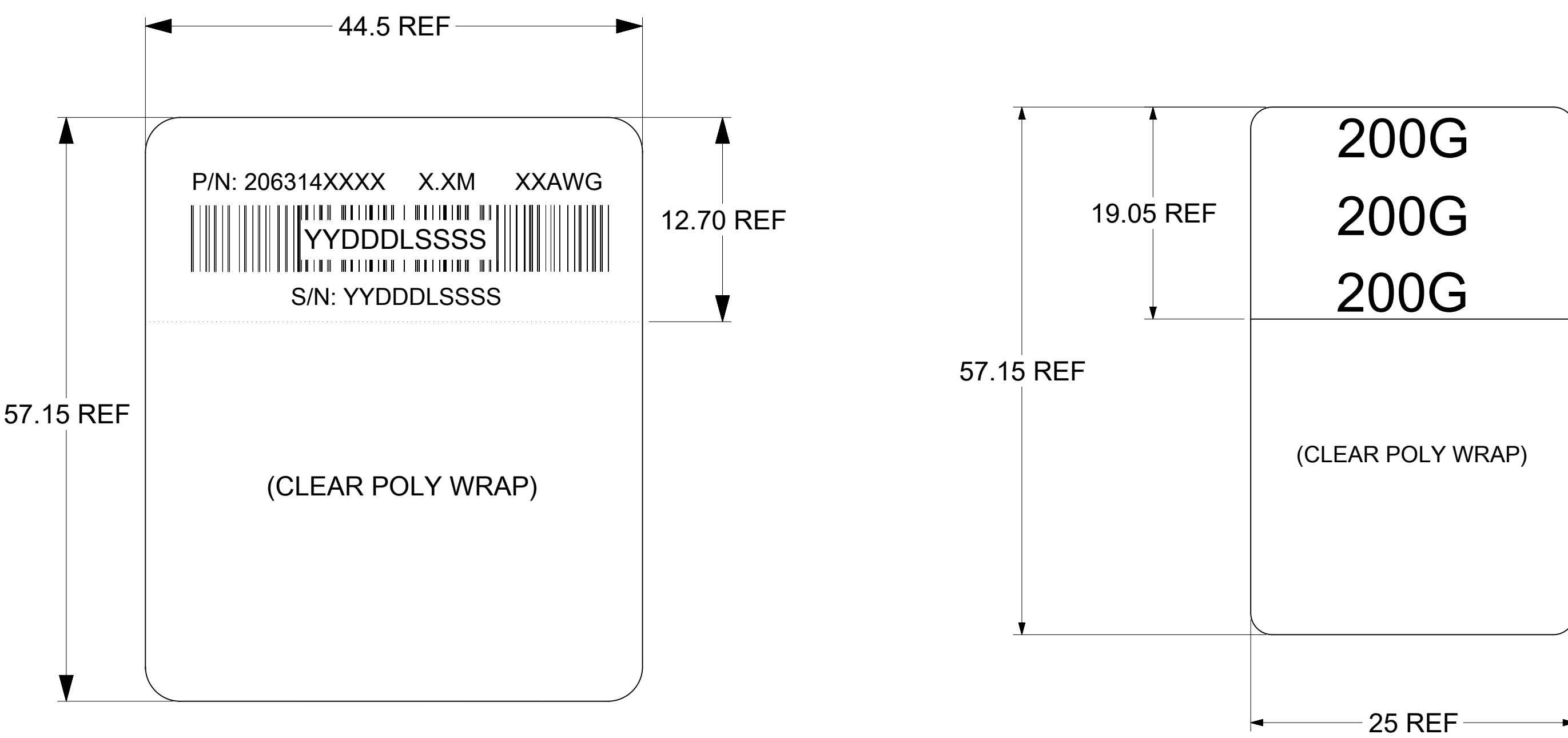
molex

QSFP-DD TO QSFP-DD 25G PASSIVE CABLE ASY

PRODUCT CUSTOMER DRAWING

DOCUMENT NUMBER: 2063141005
DOC TYPE: PSD
DOC PART: 000
REVISION: C

LABEL DETAILS



P/N: 206314XXXX - MOLEX PART NUMBER (SEE P/N TABLE)

X.XM - CABLE LENGTH IN METERS (EXAMPLES - 0.5M, 1.0M, 1.5M)

XXAWG - CABLE SIZE IN AWG

S/N: YYDDLSSSS - SERIAL NUMBER
 YY = YEAR, THE LAST 2 DIGITS OF YEAR
 DDD = DAY OF THE YEAR
 L = LOCATION
 1 - USA
 2 - MEXICO
 3 - CHINA
 4 - PHILIPPINES
 SSSS = SERIAL NUMBER (0001-9999)

MOLEX P/N	LENGTH (M)	AWG
2063141005	0.5M +/- 0.05M	30
2063141010	1.0M +/- 0.05M	30
2063141015	1.5M +/- 0.08M	30
2063141020	2.0M +/- 0.08M	30
2063141025	2.5M +/- 0.08M	30
2063141030	3.0M +/- 0.08M	30
2063143005	0.5M +/- 0.05M	28
2063143010	1.0M +/- 0.05M	28
2063143015	1.5M +/- 0.08M	28
2063143020	2.0M +/- 0.08M	28
2063143025	2.5M +/- 0.08M	28
2063143030	3.0M +/- 0.08M	28
2063143035	3.5M +/- 0.08M	28
2063143040	4.0M +/- 0.08M	28

TENTATIVE PROPOSAL
 PENDING ELECTRICAL QUALIFICATION

THIS DRAWING CONTAINS INFORMATION THAT IS PROPRIETARY TO MOLEX ELECTRONIC TECHNOLOGIES, LLC AND SHOULD NOT BE USED WITHOUT WRITTEN PERMISSION											
DIMENSION UNITS		SCALE		CURRENT REV DESC: SHEET 1 : VIEWS UPDATED							
mm		1:1		<p>QSFP-DD TO QSFP-DD 25G PASSIVE CABLE ASY</p> <p>PRODUCT CUSTOMER DRAWING</p>							
GENERAL TOLERANCES (UNLESS SPECIFIED)											
ANGULAR TOL ± 5.0°											
4 PLACES ±											
3 PLACES ±											
2 PLACES ± 0.13				EC NO: 650496				2020/12/01			
1 PLACE ± 0.25				DRWN: ADITHK				2020/12/02			
0 PLACES ±				CHK'D: SKAMATHN				2020/12/02			
DRAFT WHERE APPLICABLE MUST REMAIN WITHIN DIMENSIONS				INITIAL REVISION:				2017/12/18			
THIRD ANGLE PROJECTION				DRWN: SRATKOVIC				2018/01/05			
D-DRAWING				APPR: ADTUCKER				2018/01/05			
SERIES		MATERIAL NUMBER		CUSTOMER		DOCUMENT NUMBER		DOC TYPE		DOC PART	
D-SIZE		206314		SEE P/N TABLE		GENERAL MARKET		2063141005		PSD 000 C	
SHEET NUMBER				3 OF 3							