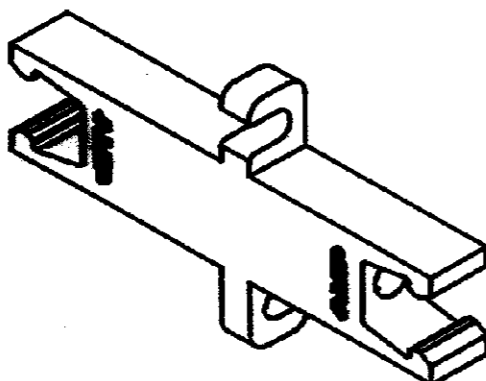
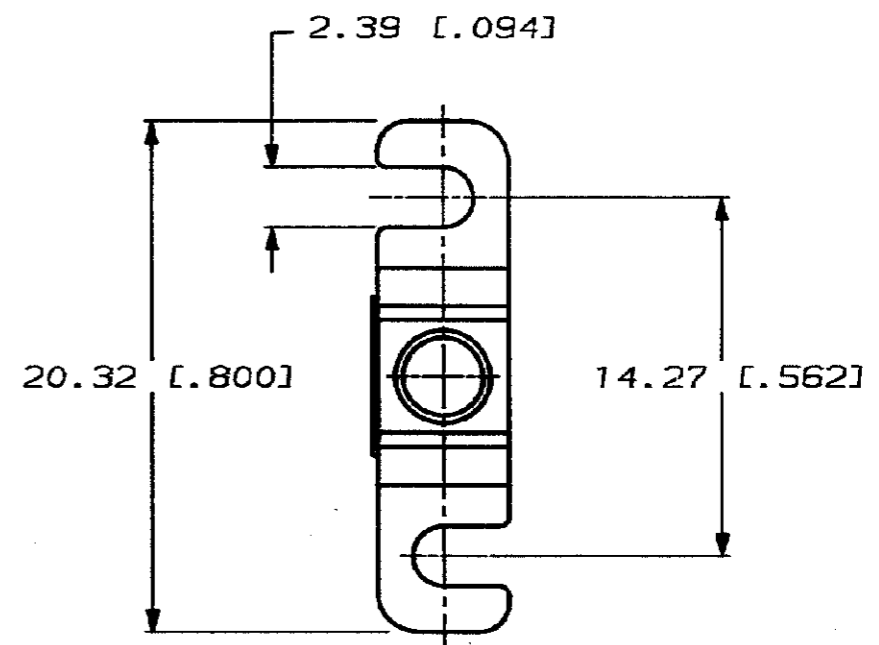
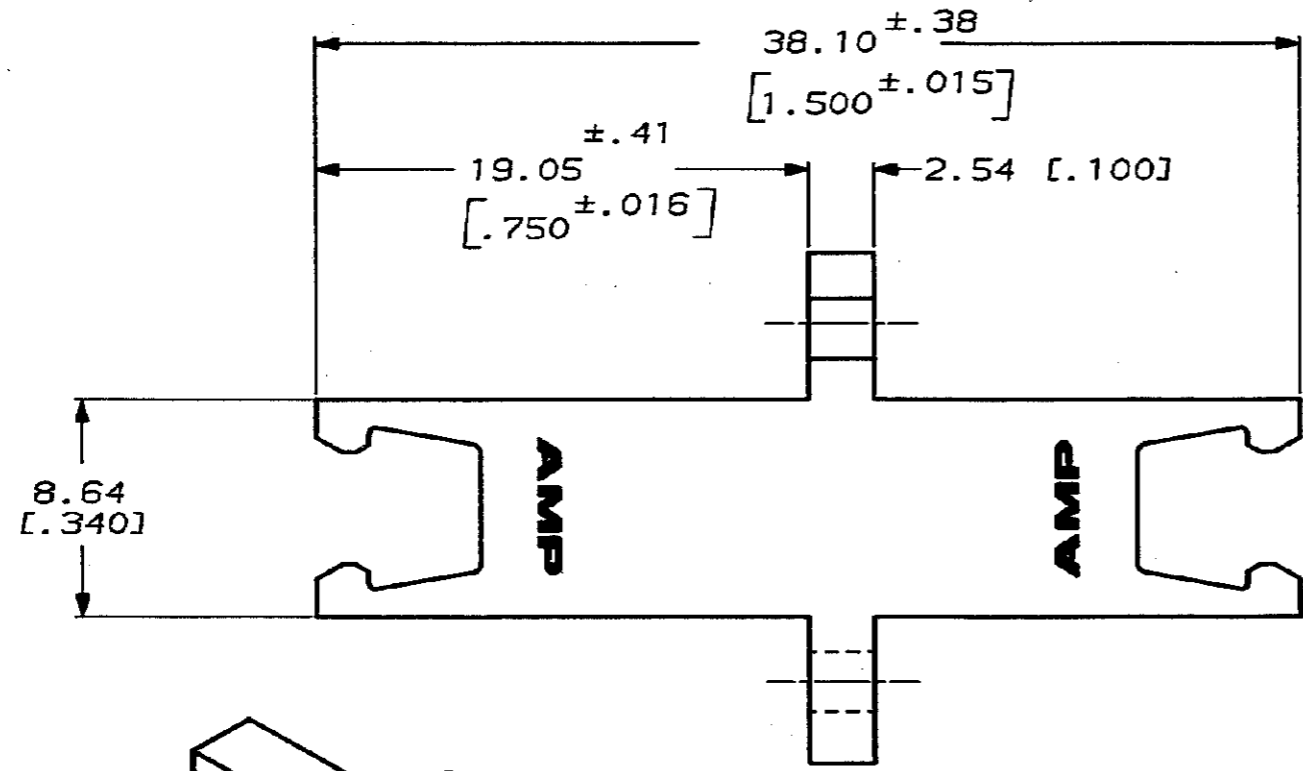


DRAWING MADE IN THIRD ANGLE PROJECTION

THIS DRAWING IS UNPUBLISHED. RELEASED FOR PUBLICATION, 19
 © COPYRIGHT 19 BY AMP INCORPORATED, HARRISBURG, PA. ALL INTERNATIONAL RIGHTS RESERVED. AMP PRODUCTS MAY BE COVERED BY U.S. AND FOREIGN PATENTS AND/OR PATENTS PENDING.

LOC	DIST	P	F	ZONE	LTR	DESCRIPTION	DATE	APPROVED
CE	16				D	REDRAW W/ CHG CE-660	9/15/86	[Signature] / aEP

228042-1 1. DIMENSIONS IN [] ARE IN INCHES
 2. PRODUCT INTERMATEABLE WITH DNP CONNECTORS PER IS 2974



METRIC

UNLESS OTHERWISE SPECIFIED DIMENSIONS ARE IN MM TOLERANCES ON:		DR [Signature] 9/15/86		PART NO	
2 PL DEC ± .25 [.010]	3 PL DEC ± -	APPR [Signature] 9-15-86	AMPD [Signature] 9-15-86	AMP INCORPORATED Harrisburg, Pa. 17105	
MATERIAL THERMOPLASTIC COLOR: BLACK	FINISH -	PRODUCT SPEC 108-45104	APPLICATION SPEC IS SHEET 2974	NAME SGL POSITION BULKHEAD RCPT, DNP, OPTIMATE	
		WEIGHT 1.7 G	SIZE B	FSCM NO 00779	DRAWING NO 228042
			SCALE 4:1	SHEET 1 OF 1	