

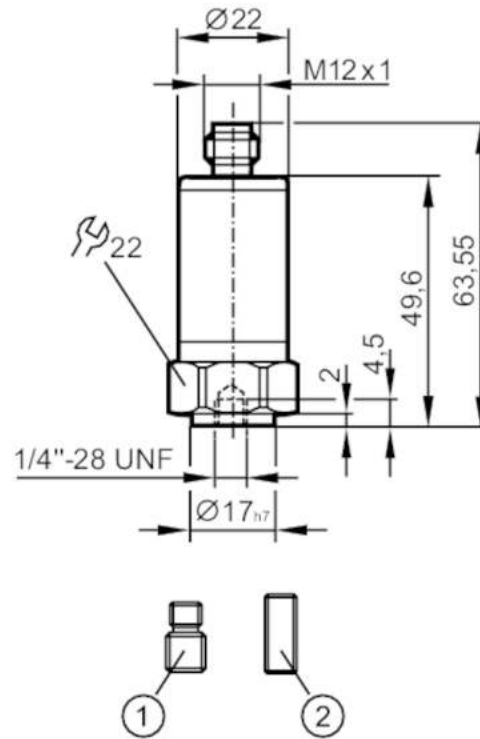
VVB020



Vibration sensor

VIBRATION IO-LINK SWITCH

the hardware version BC has a temporarily changed ambient temperature range



- 1 set screw 1/4"-28 UNF / M8
2 set screw 1/4"-28 UNF



Product characteristics

Frequency range [Hz]	2...10000	
Measuring principle	capacitive	
v-RMS		
Measuring range of vibration [mm/s]	0...45	
a-Peak / a-RMS		
Measuring range of vibration	0...50 g	0...490.3 m/s ²

Application

Application	medium-sized machines, power < 300 kW, rotational speed > 600 rpm
-------------	---

Electrical data

Operating voltage [V]	18...30 DC	
Current consumption [mA]	< 50	
Min. insulation resistance [MΩ]	100; (500 V DC)	
Protection class	III	
Reverse polarity protection	yes	
Sensor type	microelectromechanical system (MEMS)	

Inputs / outputs

Number of inputs and outputs	Number of digital outputs: 2
------------------------------	------------------------------

VVB020



Vibration sensor

VIBRATION IO-LINK SWITCH

Outputs		
Output signal		switching signal; IO-Link
Electrical design		PNP/NPN; (configurable)
Number of digital outputs		2
Output function		normally open / normally closed
Max. voltage drop switching output DC	[V]	2
Max. current load per output	[mA]	100
Short-circuit protection		yes
Type of short-circuit protection		pulsed
Overload protection		yes
Measuring/setting range		
Note on setpoint SP		parameterisable
Frequency range	[Hz]	2...10000
Measuring principle		capacitive
Number of measurement axes		1
v-RMS		
Measuring range of vibration	[mm/s]	0...45
Set point SP	[mm/s]	0.2...45
Reset point rP	[mm/s]	0...44.8
In steps of	[mm/s]	0.2
a-Peak / a-RMS		
Measuring range of vibration	0...50 g	0...490.3 m/s ²
Set point SP	0.2...50 g	2...490.3 m/s ²
Reset point rP	0...49.8 g	0...488.3 m/s ²
In steps of	0.2 g	2 m/s ²
Crest		
Measuring range of vibration		1...50
Set point SP		2...50
Reset point rP		1...49
In steps of		1
Temperature measurement		
Measuring range	[°C]	-30...80
Resolution	[°C]	0.1
Set point SP	[°C]	-28...80
Reset point rP	[°C]	-30...78
In steps of	[°C]	2
Accuracy / deviations		
Accuracy		≤ 4 kHz +/-10 %; ≥ 4...10 kHz: < 3 dB
Accuracy	[K]	± 2,5 K + (0,2 x (Umgebungstemperatur - Oberflächentemperatur))
Linearity deviation		2 %

VVB020



Vibration sensor

VIBRATION IO-LINK SWITCH

Software / programming	
Parameter setting options	Software
Diagnostic functions	self-test
Interfaces	
Communication interface	IO-Link
Transmission type	COM2 (38,4 kBaud); COM3 (230,4 kBaud)
IO-Link revision	1.1
SDCI standard	IEC 61131-9: 2013-07
Profiles	Blob (0x0030); Measuring sensor (0x800A); Common Profile (0x4000)
SIO mode	yes
Required master port type	A
Process data analogue	10
Process data binary	2
Min. process cycle time [ms]	3.6
IO-Link functions (acyclical)	filter for v-RMS, a-RMS, a-Peak; Hysteresis; window; switch points; switching logic
Supported DeviceIDs	Type of operation DeviceID Status A (COM2) 1257 Status B (COM2 / COM3) 1369
Note	For further information please see the IODD PDF file under "Downloads"
Operating conditions	
Ambient temperature [°C]	-30...60
Storage temperature [°C]	-30...80
Protection	IP 67; IP 68; IP 69K
Tests / approvals	
EMC	2014/30/EU DIN EN 61000-6-2 DIN EN 61000-6-3
Shock resistance	DIN EN 60068-2-27 50 g 11 ms 500 g 1 ms
Vibration resistance	DIN EN 60068-2-6 20 g / 10...3000 Hz
MTTF [years]	299
UL approval	Ta -30...60 °C UL Approval no. L002
Mechanical data	
Weight [g]	116.5
Type of mounting	set screw
Materials	housing: stainless steel (1.4404 / 316L)
Tightening torque [Nm]	8
Accessories	
Items supplied	set screw: 1 x 1/4" 28 UNF / M8 set screw: 1 x 1/4"28 UNF x 5/8" DIN916
Remarks	
Notes	the hardware version BC has a temporarily changed ambient temperature range
Pack quantity	1 pcs.

VVB020

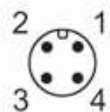


Vibration sensor

VIBRATION IO-LINK SWITCH

Electrical connection

Connector: 1 x M12; coding: A; Maximum cable length: 20 m



1	L+
2	OUT2
3	L-
4	OUT1 switching output or IO-Link