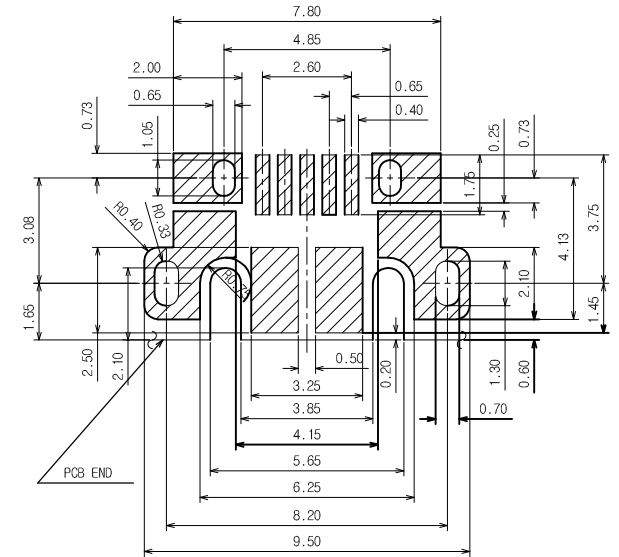
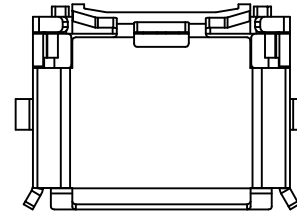
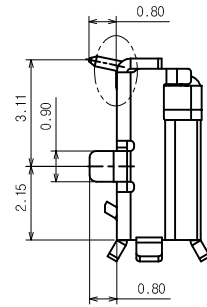
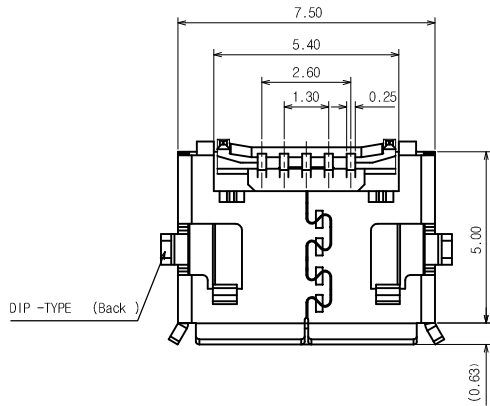


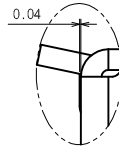
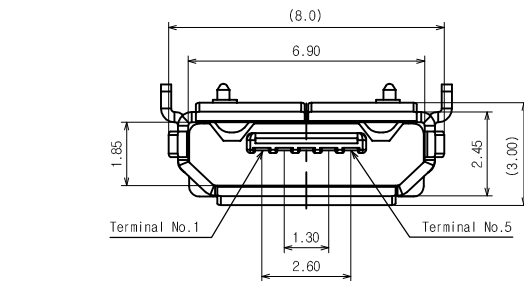
-NOTE-

- Coplanarity:
Solder tail of signal contacts: Max 0.08 mm
- Product numbering:
10103592 - 0001 LF



RECOMMENDED PCB Pattern

(Tolerance : ±0.05)



DETAIL "A"

No.	Part Name	Material	Finish	Remarks
1	Housing	Thermoplastic	Black	
2	Contact Ter'	Copper alloy	Au over Ni	
3	Plate	Stainless steel		
4	Shield	Stainless steel	Sn over Ni	

mat'l. code				tolerances unless otherwise specified		CUSTOMER COPY		FCJ		www.fciconnect.com	
ltr	ecn no	dr	date	linear	.X ± 0.38		projection	title			
A	T10-0002	J.H	1/7/10		.XX ± 0.25			MICRO-USB B-TYPE REVERSE			
B	ELX-N-19511	J.H	11/20'14		.XXX ± 0.10			product family USB code TWN			
				angles	0° ± 2'		MM		size dwg no		sheet 1 of 1
				dr	JASON HSU	1/7/10	scale		A4		10103592
				enr	JASON HSU	1/7/10					
				chr	GARY HSIEH	1/7/10					
				appd	JOSEPH HSIA	1/7/10					
sheet index		revision	B								
		sheet	1								