

Total 3,000 pcs for one Reel.

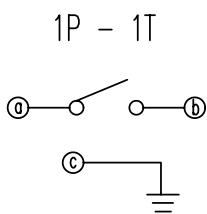
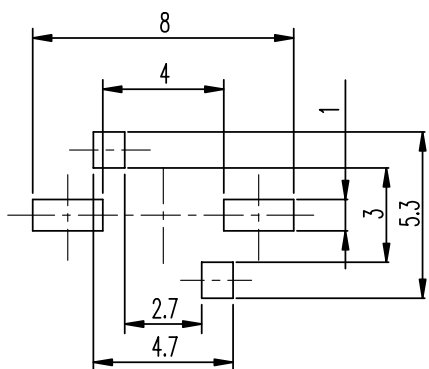


示意图 SCHEMATIC



安装孔 PIERCING PLAN

规格 Specifications

额定负荷 Ratings	DC 12_V 50_mA Max.
	DC 1_V 10_μA Min.
初期接触电阻 Initial Contact Resistance	100_mΩ Max.
绝缘电阻 Insulation Resistance	DC 100_V 60_Sec. 100_MΩ Min.
抗电强度 Dielectric Voltage	AC 250_V (50~60HZ) 60_Sec.
操作力 Operating Force	160 <sup>+50</sup> / <sub>30</sub> gf
负荷寿命 Operating Life With Load	100,000 次 Cycles

06	防尘膜 DUST COVER	PI TAPE	1	NATURAL
05	弹片 SPRING PLATE	SUS	1	Ag CLAD
04	端子 TERMINAL	C2680R	2	Ag PLATED
03	盖片 COVER	SUS	1	Ag PLATED
02	胶柄 KNOB	PA	1	BLACK C
01	胶壳 HOUSING	PA	1	BLACK C
序NO.	零件 PART	材料 MATERIAL	数量 QTY	备注 REMARKS

标号 REV	内容 DESCRIPTION	签名 SIGN.	日期 DATE
DWG NO. ITEM3079			

TOLERANCES UNLESS OTHERWISE SPEC.		TITLE	TACT SWITCH	ITEM NO	RS-285G05A2-U RT		
UNDER 1	± 0.10	DRAWN	廖铁军	2010-10-28	VERSION	A01	PAGE 1 OF 1
1 - 10	± 0.30	REVIEWED	方勇	2010-10-28	SCALE	—	UNIT mm
OVER 10	± 0.50	APPROVED	马建和	2010-10-28	PROJECTION		

**COMAX** 高铭电子(惠州)有限公司  
Comax Electronics(Huizhou)Co.,Ltd.