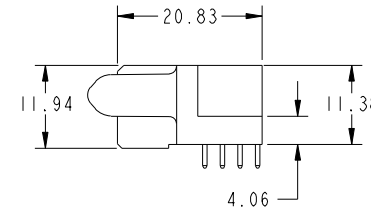
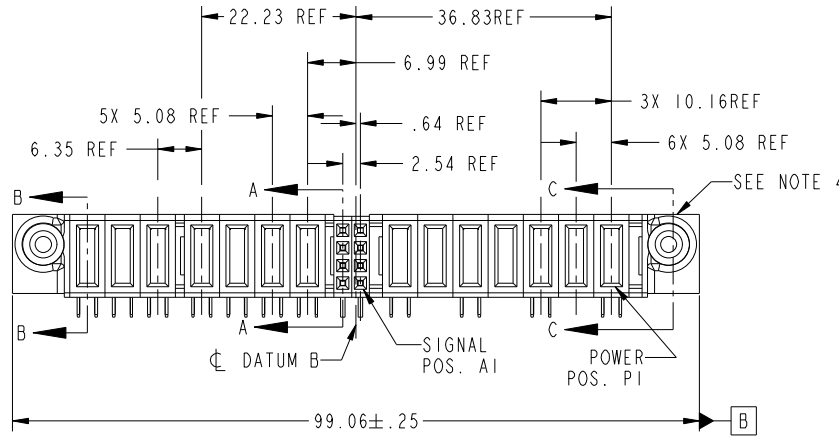


Tous droits strictement reserves. Reproduction ou communication a des tiers interdite sous quelque forme que ce soit sans autorisation écrite du propriétaire. Propriete de c FCI. Droits de reproduction FCI.



All rights strictly reserved. Reproduction or issue to third parties in any form whatever is not permitted without written authority from the proprietor. Property of FCI. Copyright FCI.

PRODUCT NO.	ROWS	POWER							SIGNAL		POWER							E1	
		E2	P14	P13	P12	P11	P10	P9	P8	2	1	P7	P6	P5	P4	P3	P2		P1
51915-110-- NOTE: 3	D C B A		PA	PA	PA	PC	PC	PC	PA	H H G G F F E E		PA	X	PC	X	PC	X	PC	



CODE	DIM "M" MATING LENGTH	CONTACT TYPE
PA	[1.07]	POWER
H	[N/A]	SIGNAL
G	[N/A]	SIGNAL
F	[N/A]	SIGNAL
E	[N/A]	SIGNAL
PC	[2.34]	POWER
X	OMITTED	

mat'l code				SEE NOTE 2		tolerances unless otherwise specified		CUSTOMER	
ltr	ecn no.	dr	date	linear	0.X ± 0.3	projection	COPY		
A	DG06-0285	JMG	07/12/06		0.XX ± 0.13		title		
B	DG06-0329	JMG	08/14/06	angles	0.XXX ± 0.051		4Acp+8s+7p		
C	DG06-0348	JMG	08/18/06		0° ± 2°	scale	Right Angle Solder Receptacle		
D	DG06-0405	JMG	10/11/06	dr	JM GUO 07/12/06	1:1	product family		code
E	DG07-0004	JMG	01/04/07	enrg	SLUO 07/12/06		PwrBlade		213
F	DG07-0136	JMG	04/05/07	chr	BEER FU 07/12/06		size	dwg no	sheet
				appd	JOSEPH HSIA 07/12/06		A	51915-110	1 of 4
sheet index	revision sheet	F 1	F 2	F 3	F 4				

FCI www.fciconnect.com

title: 4Acp+8s+7p Right Angle Solder Receptacle

product family: PwrBlade code: 213

size: A dwg no: 51915-110 sheet: 1 of 4

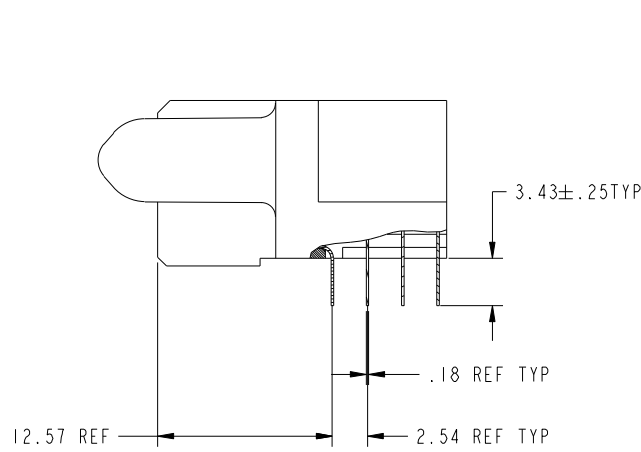
cage code: 22526

Tous droits strictement reserves. Reproduction ou communication a des tiers interdite sous quelque forme que ce soit sans autorisation ecrite du proprietaire. Propriete de c FCI. Droits de reproduction FCI.

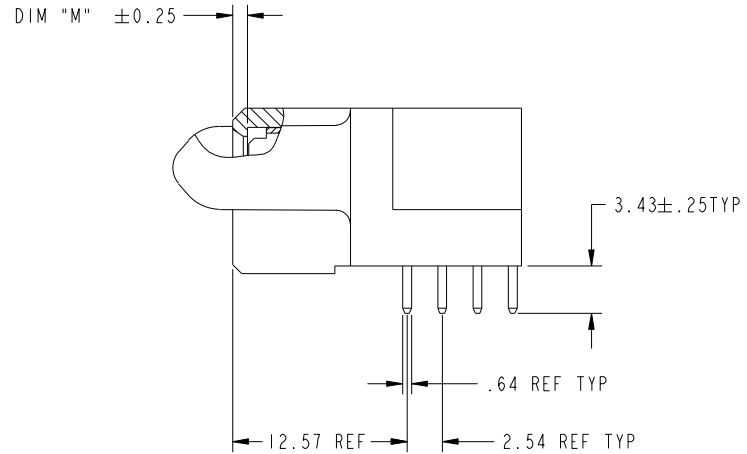
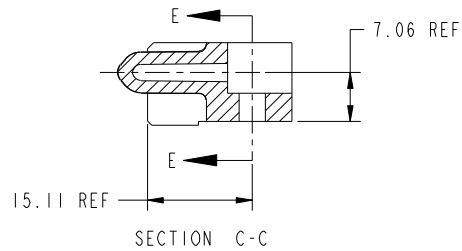


All rights strictly reserved. Reproduction or issue to third parties in any form whatever is not permitted without written authority from the proprietor. Property of FCI. Copyright FCI.

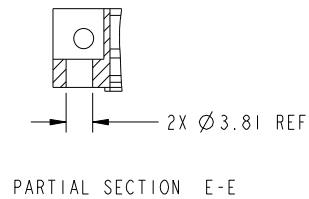
PRODUCT NUMBER
51915-110--
NOTE: 3



BROKEN-OUT SECTION A-A
SCALE 2:1



BROKEN-OUT SECTION B-B
SCALE 2:1



PARTIAL SECTION E-E

mat'l code				SEE NOTE 2		tolerances unless otherwise specified		CUSTOMER		 www.fciconnect.com	
ltr	ecn no.	dr	date	linear	0.X ± 0.3		COPY		title 4Acp+8s+7p Right Angle Solder Receptacle		
F					0.XX ± 0.13		projection				
					angles	0.XXX ± 0.051					
				0° ± 2°							
				dr	JM GUO	07/12/06	product family		PwrBlade	code	213
				enr	SLUO	07/12/06	size		dwg no	2 of 4	
				chr	BEER FU	07/12/06	scale		A 51915-110		
				appd	JOSEPH HSIA	07/12/06	1:1		sheet		
sheet index		revision sheet								2 of 4	

cage code 22526

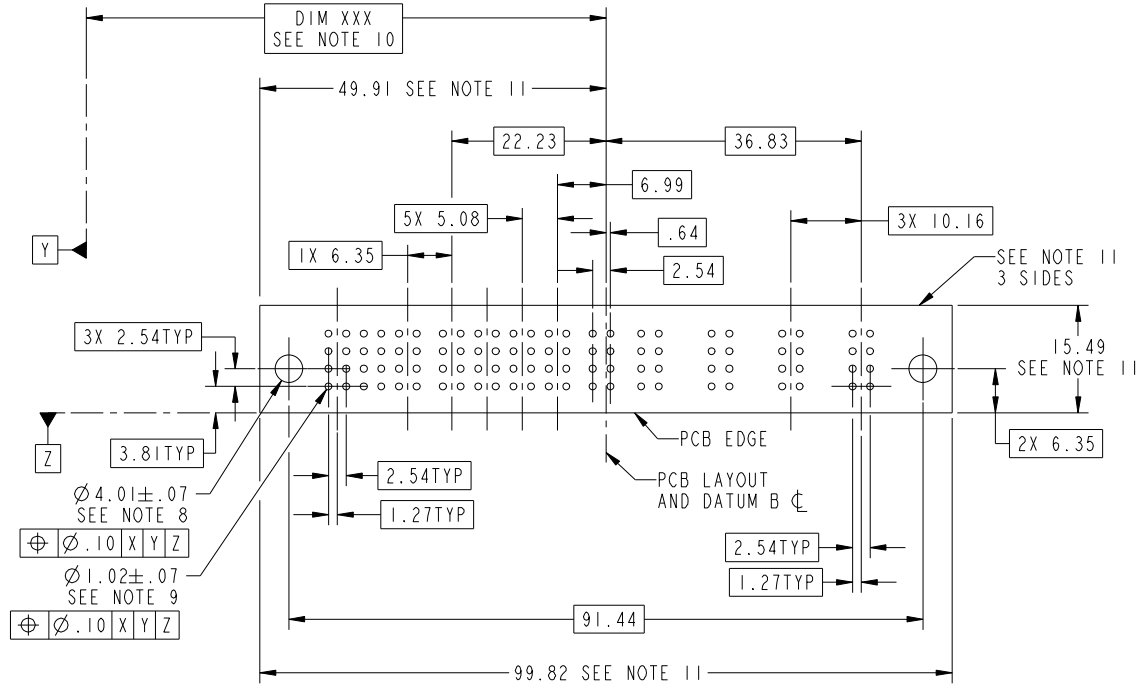
Pro/E

Tous droits strictement réservés. Reproduction ou communication a des tiers interdite sous quelque forme que ce soit sans autorisation écrite du propriétaire. Propriété de c FCI. Droits de reproduction FCI.

All rights strictly reserved. Reproduction or issue to third parties in any form whatever is not permitted without written authority from the proprietor. Property of FCI. Copyright FCI.



PRODUCT NUMBER
51915-110--
NOTE: 3



mat'l code SEE NOTE 2				tolerances unless otherwise specified		CUSTOMER		FCI	
ltr	ecn no.	dr	date	linear	0.X ± 0.3	COPY		www.fciconnect.com	
F					0.XX ± 0.13	projection		title	
				angles	0.XXX ± 0.051			4Acp+8s+7p	
				dr	0° ± 2°	MIM		product family PwrBlade code	
				enr	JM GUO 07/12/06			size	
				chr	SLUO 07/12/06	scale		dwg no	
				appd	BEER FU 07/12/06	1:1		51915-110	
					JOSEPH HSIA 07/12/06			sheet	
sheet index	revision sheet							3 of 4	

cage code 22526

Pro/E

Tous droits strictement reserves. Reproduction ou communication a des tiers interdite sous quelque forme que ce soit sans autorisation écrite du propriétaire. Propriete de c FCI. Droits de reproduction FCI.



All rights strictly reserved. Reproduction or issue to third parties in any form whatever is not permitted without written authority from the proprietor. Property of FCI. Copyright FCI.

PRODUCT NUMBER
51915-110--
NOTE: 3

NOTES:

1. DIMENSIONS AND TOLERANCES ARE IN ACCORDANCE WITH ASME Y14.5M, 1994 UNLESS OTHERWISE SPECIFIED.

CONNECTOR NOTES:

- 2. HOUSING MATERIAL: UL 94 V-0 GLASS FILLED HIGH-TEMP THERMOPLASTIC
POWER CONTACT MATERIAL: COPPER ALLOY
SIGNAL PIN MATERIAL: COPPER ALLOY
- 3. 51915-110;51915-110LF PLATING SPEC. SEE PRINT:10064183
- 4. MANUFACTURER'S NAME, P/N, AND DATE CODE TO APPEAR ON THIS SURFACE.
- 5. PRODUCT SPECIFICATION GS-12-149.
APPLICATION SPECIFICATION BUS-20-067.
- 6. PACKAGED IN TRAYS.

PCB NOTES:

- 7. ALL HOLE DIAMETERS ARE FINISHED HOLE SIZE.
- 8. MOUNTING HOLES, WHERE APPLICABLE, ARE UNPLATED.
- 9. $\varnothing 1.151 \pm 0.025$ DRILLED HOLES PLATED WITH 0.008 MIN SnPb OR Sn OVER 0.03 TO 0.08 Cu PLATING TO ACHIEVE $\varnothing 1.02 \pm 0.07$ HOLE.
- 10. "DIM XXX" TO BE DETERMINED BY THE CUSTOMER.
- 11. CONNECTOR KEEP-OUT ZONE.

mat'l code				SEE NOTE 2		tolerances unless otherwise specified		CUSTOMER		FCI www.fciconnect.com	
ltr	ecr no.	dr	date	linear	0.X ± 0.3		COPY		projection	title	
F					0.XX ± 0.13		MIM			4Acp+8s+7p	
					0.XXX ± 0.051		←			Right Angle Solder Receptacle	
				angles	0° ± 2°		MIM		product family		
				dr	JM GUO	07/12/06	←		PwrBlade		
				enrg	SLUO	07/12/06	←		code		
				chr	BEER FU	07/12/06	←		213		
				appd	JOSEPH HSIA	07/12/06	←		size		
sheet index		revision sheet				scale		A		sheet	
						1:1		51915-110		4 of 4	

cage code 22526

Pro/E