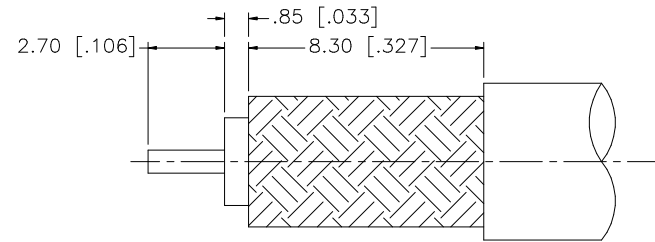
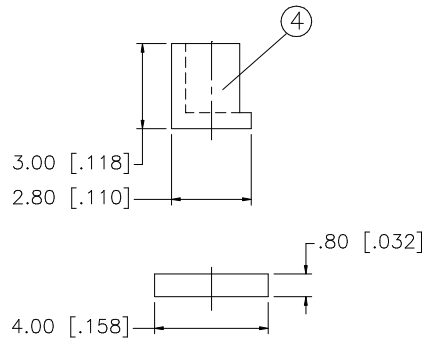
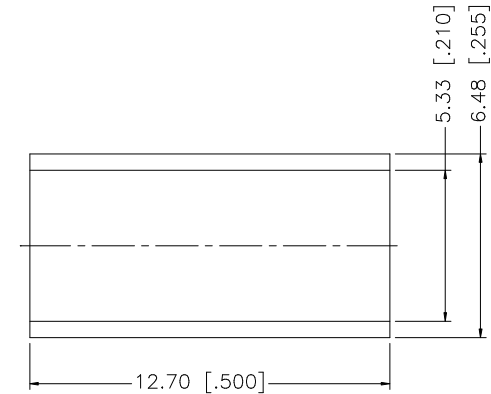
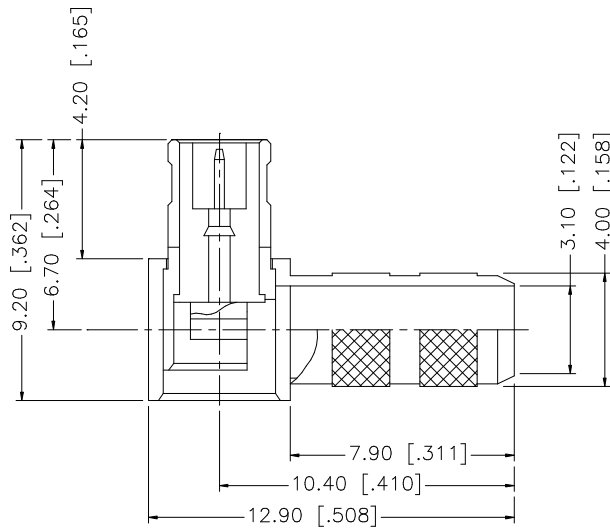
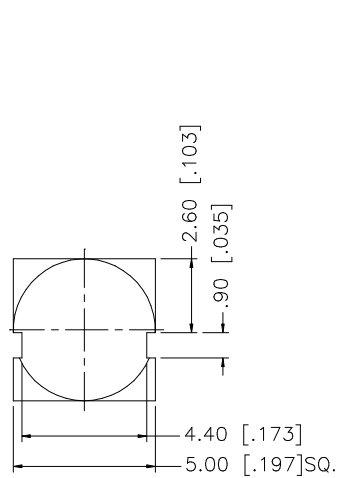


REV.	DATE	DESCRIPTION
NC	07/22/98	INITIAL RELEASE
A	10/31/05	UPDATE DRAWING FORMAT, ADD CRIMP NOTES



RECOMMENDED
CABLE STRIPPING DIM'S

NOTE:

1. CRIMPED FERRULE
HEX CRIMP SIZE .213"
2. CONTACT PIN TO SOLDER

REV.	DATE	DESCRIPTION
8		
7		
6	FERRULE	COPPER
5	COVER	BRASS
4	INSULATOR	DELTRIN
3	CONTACT PIN	BRASS
2	INSULATOR	TEFLON
1	BODY	BER. COPPER
DESCRIPTION	MATERIAL	FINISH
		QTY
UNLESS OTHERWISE SPECIFIED DIMENSIONS ARE IN MILLIMETERS. DIMENSIONS IN [] ARE IN INCHES AND FOR CUSTOMER REFERENCE ONLY. UNLESS OTHERWISE SPECIFIED TOLERANCES FOR MILLIMETERS ARE: 0.5 - 8mm ± 0.20mm 8 - 30mm ± 0.40mm 30 - 120mm ± 0.50mm UNLESS OTHERWISE SPECIFIED TOLERANCES FOR INCHES ARE: .020 - .315 = ± 0.007" .315 - 1.180 = ± 0.015" 1.180 - 4.724 = ± 0.020" DO NOT SCALE DRAWING		
APPROVALS	DATE	
DRAWN G.R.S.	10/31/05	
CHECKED		
ISSUED		
SHEET 1 OF 1		
CAD FILE	C:/252/252122.DWG	
<h1 style="color: blue;">Amphenol Connex</h1>		
PART DESCRIPTION MCX R/A CRIMP PLUG (FOR RG-55/U, 142/U, 223/U, 400/U CABLE)		
PART NO. 252122		
DWG. NO.	252122.DWG	REV. A
SIZE	A	SCALE NA