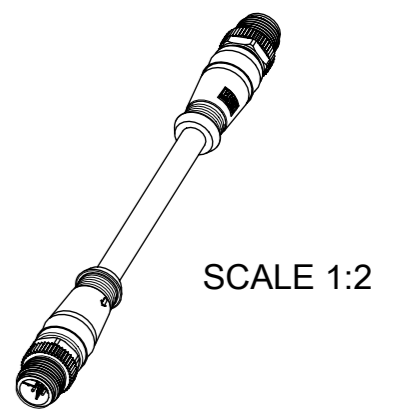


**NOTES:**  
 VOLTAGE RATING: 48 V  
 CURRENT RATING: 0.5 A  
 TEMPERATURE RATING:  
 STATIC: -40 °C TO 80 °C  
 DYNAMIC: -20 °C TO 80 °C  
 IP RATING: IP 67 (IN MATED AND LOCKED CONDITION)  
 TRANSMISSION CHARACTERISTICS ACCORDING TO ISO/IEC 11801 CLASS EA CHANNEL,  
 WITH INSERTION LOSS BEING IGNORED FOR CABLE LENGTHS < 1 m OR > 65 m  
 PACKAGING: CORDSETS ARE PACKED IN A POLYBAG

**BILL OF MATERIAL**

| ITEM | QTY | DESCRIPTION              | MATERIAL      | FINISH/COLOR |
|------|-----|--------------------------|---------------|--------------|
| 1    | 1   | CABLE                    | PUR           | GREEN        |
| 2    | 16  | CONTACT 6 MALE           | BRASS         | Au OVER Ni   |
| 3    | -   | MOLDING MATERIAL         | TPU           | BLACK        |
| 4    | 2   | INSERT M12 CAT6A MALE 8P | PA6           | BLACK        |
| 5    | 2   | SHELL M12 CAT6A          | ZINC DIE-CAST | Ni PLATED    |
| 6    | 2   | NUT M12 MALE             | BRASS         | Ni PLATED    |
| 7    | 2   | I/D CARRIER              | PVC           | TRANSPARENT  |
| 8    | 1   | LABEL 2.0X1.75           | VINYL         | YELLOW       |




|  |   |                |  |              |  |                  |            |  |
|--|---|----------------|--|--------------|--|------------------|------------|--|
| FUNCTIONAL SYMBOLS<br>$\nabla A = 0$<br>$\nabla E = 1$<br>$\nabla F = 0$               | THIS DRAWING CONTAINS INFORMATION THAT IS PROPRIETARY TO MOLEX ELECTRONIC TECHNOLOGIES, LLC AND SHOULD NOT BE USED WITHOUT WRITTEN PERMISSION | SCALE          | CURRENT REV DESC: NOTE CHANGED   |              |  |                  |            |  |
|  | mm  | 2:1            | <b>molex</b><br>CSE M12 CAT6A 8P XC MA STR PUR XM DE<br>PRODUCT CUSTOMER DRAWING |              |  |                  |            |  |
|  | GENERAL TOLERANCES (UNLESS SPECIFIED)   |                |  |              |  | EC NO: 692351    | 2022/01/17 |  |
|  | ANGULAR TOL ± 1.0°  |                |  |              |  | DRWN: HDUERRWANG | 2022/01/25 |  |
| 4 PLACES ±   |   | CHK'D: RSILLER |  |              |  | 2022/01/25       |            |  |
| DIVISIONAL SYMBOLS<br>3 PLACES ±<br>2 PLACES ± 0.05<br>1 PLACE ± 0.3<br>0 PLACES ± 0.5 | DRAFT WHERE APPLICABLE MUST REMAIN WITHIN DIMENSIONS  |                | INITIAL REVISION:  | 2017/06/19   |  |                  |            |  |
|  | THIRD ANGLE PROJECTION  |                | DRWN: FGAIK  | 2017/06/21   |  |                  |            |  |
|  | DRAWING   |                | APPR: BBRAUCH  |              |  |                  |            |  |
|  | SERIES  |                |  |              |  |                  |            |  |
| MATERIAL NUMBER  |   | CUSTOMER       |  | SHEET NUMBER |  |                  |            |  |
| SEE TABLE 1  |   | GENERAL MARKET |  | 1 OF 2       |  |                  |            |  |

TABLE 1

| MOLEX PN        | ENGINEERING NO. | DESCRIPTION                           | LENGTH [mm] |
|-----------------|-----------------|---------------------------------------|-------------|
| 1203410312      | E22E06020C250   | M12 CAT6A M/M ST/ST PUR GREEN 0.25M   | 250         |
| 1203410300      | E22E06020M005   | M12 CAT6A M/M ST/ST PUR GREEN 0.5M    | 500         |
| 1203410301      | E22E06020M010   | M12 CAT6A M/M ST/ST PUR GREEN 1M      | 1000        |
| 1203410313      | E22E06020M015   | M12 CAT6A M/M ST/ST PUR GREEN 1.5M    | 1500        |
| 1203410302      | E22E06020M020   | M12 CAT6A M/M ST/ST PUR GREEN 2M      | 2000        |
| 1203410303      | E22E06020M030   | M12 CAT6A M/M ST/ST PUR GREEN 3M      | 3000        |
| 1203410304      | E22E06020M040   | M12 CAT6A M/M ST/ST PUR GREEN 4M      | 4000        |
| 1203410305      | E22E06020M050   | M12 CAT6A M/M ST/ST PUR GREEN 5M      | 5000        |
| 1203410859      | E22E06020M070   | M12 CAT6A M/M ST/ST PUR GREEN 7M      | 7000        |
| 1203410374      | E22E06020M080   | M12 CAT6A M/M ST/ST PUR GREEN 8M      | 8000        |
| 1203410306      | E22E06020M100   | M12 CAT6A M/M ST/ST PUR GREEN 10M     | 10000       |
| 1203410375      | E22E06020M120   | M12 CAT6A M/M ST/ST PUR GREEN 12M     | 12000       |
| 1203410307      | E22E06020M150   | M12 CAT6A M/M ST/ST PUR GREEN 15M     | 15000       |
| 1203410376      | E22E06020M180   | M12 CAT6A M/M ST/ST PUR GREEN 18M     | 18000       |
| 1203410308      | E22E06020M200   | M12 CAT6A M/M ST/ST PUR GREEN 20M     | 20000       |
| 1203410377      | E22E06020M220   | M12 CAT6A M/M ST/ST PUR GREEN 22M     | 22000       |
| 1203410311      | E22E06020M250   | M12 CAT6A M/M ST/ST PUR GREEN 25M     | 25000       |
| 1203410309      | E22E06020M300   | M12 CAT6A M/M ST/ST PUR GREEN 30M     | 30000       |
| 1203410823      | E22E06020M340   | M12 CAT6A M/M ST/ST PUR GREEN 34M     | 34000       |
| 1203410378      | E22E06020M350   | M12 CAT6A M/M ST/ST PUR GREEN 35M     | 35000       |
| 1203410310      | E22E06020M400   | M12 CAT6A M/M ST/ST PUR GREEN 40M     | 40000       |
| 1203410379      | E22E06020M450   | M12 CAT6A M/M ST/ST PUR GREEN 45M     | 45000       |
| 1203410371      | E22E06020M500   | M12 CAT6A M/M ST/ST PUR GREEN 50M     | 50000       |
| 1203410380      | E22E06020M550   | M12 CAT6A M/M ST/ST PUR GREEN 55M     | 55000       |
| 1203410372      | E22E06020M600   | M12 CAT6A M/M ST/ST PUR GREEN 60M     | 60000       |
| 1203410381      | E22E06020M650   | M12 CAT6A M/M ST/ST PUR GREEN 65M     | 65000       |
| 1203410373      | E22E06020M700   | M12 CAT6A M/M ST/ST PUR GREEN 70M     | 70000       |
| 1203410847      | E22E06020M800   | M12 CAT6A M/M ST/ST PUR GREEN 80M     | 80000       |
| WITH ID CARRIER |                 |                                       |             |
| 1203410385      | E22E06020M005H  | M12 CAT6A M/M ST/ST PUR GREEN 0.5M-ID | 500         |
| 1203410386      | E22E06020M010H  | M12 CAT6A M/M ST/ST PUR GREEN 1M-ID   | 1000        |
| 1203410396      | E22E06020M015H  | M12 CAT6A M/M ST/ST PUR GREEN 1.5M-ID | 1500        |
| 1203410387      | E22E06020M020H  | M12 CAT6A M/M ST/ST PUR GREEN 2M-ID   | 2000        |
| 1203410388      | E22E06020M030H  | M12 CAT6A M/M ST/ST PUR GREEN 3M-ID   | 3000        |
| 1203410389      | E22E06020M040H  | M12 CAT6A M/M ST/ST PUR GREEN 4M-ID   | 4000        |
| 1203410390      | E22E06020M050H  | M12 CAT6A M/M ST/ST PUR GREEN 5M-ID   | 5000        |
| 1203410391      | E22E06020M100H  | M12 CAT6A M/M ST/ST PUR GREEN 10M-ID  | 10000       |
| 1203410392      | E22E06020M150H  | M12 CAT6A M/M ST/ST PUR GREEN 15M-ID  | 15000       |
| 1203410393      | E22E06020M200H  | M12 CAT6A M/M ST/ST PUR GREEN 20M-ID  | 20000       |
| 1203410922      | E22E06020M250H  | M12 CAT6A M/M ST/ST PUR GREEN 25M-ID  | 25000       |
| 1203410394      | E22E06020M300H  | M12 CAT6A M/M ST/ST PUR GREEN 30M-ID  | 30000       |
| 1203410923      | E22E06020M350H  | M12 CAT6A M/M ST/ST PUR GREEN 35M-ID  | 35000       |
| 1203410395      | E22E06020M400H  | M12 CAT6A M/M ST/ST PUR GREEN 40M-ID  | 40000       |
| 1203410984      | E22E06020M450H  | M12 CAT6A M/M ST/ST PUR GREEN 45M-ID  | 45000       |
| 1203410397      | E22E06020M500H  | M12 CAT6A M/M ST/ST PUR GREEN 50M-ID  | 50000       |
| 1203410985      | E22E06020M550H  | M12 CAT6A M/M ST/ST PUR GREEN 55M-ID  | 55000       |
| 1203410398      | E22E06020M600H  | M12 CAT6A M/M ST/ST PUR GREEN 60M-ID  | 60000       |
| 1203410986      | E22E06020M650H  | M12 CAT6A M/M ST/ST PUR GREEN 65M-ID  | 65000       |
| 1203410399      | E22E06020M700H  | M12 CAT6A M/M ST/ST PUR GREEN 70M-ID  | 70000       |
| 1203410987      | E22E06020M750H  | M12 CAT6A M/M ST/ST PUR GREEN 75M-ID  | 75000       |
| 1203410988      | E22E06020M850H  | M12 CAT6A M/M ST/ST PUR GREEN 85M-ID  | 85000       |

CABLE LENGTH TOLERANCES

| LENGTH       | TOLERANCE  |
|--------------|------------|
| 0 m - 1 m    | +40 mm     |
| >1 m - 5 m   | +60 mm     |
| >5 m - 10 m  | +80 mm     |
| >10 m - 20 m | +140 mm    |
| >20 m - 30 m | +160 mm    |
| >30 m        | +1% length |

|  |   |                        |   |  |
|--|---|------------------------|---|--|
| FUNCTIONAL SYMBOLS<br>∇/A = 0<br>∇/E = 0<br>∇/Z = 0  | THIS DRAWING CONTAINS INFORMATION THAT IS PROPRIETARY TO MOLEX ELECTRONIC TECHNOLOGIES, LLC AND SHOULD NOT BE USED WITHOUT WRITTEN PERMISSION |                        | CURRENT REV DESC: NOTE CHANGED  |  |
|  | DIMENSION UNITS<br><b>mm</b>  | SCALE<br><b>1:1</b>    | <br>CSE M12 CAT6A 8P XC MA STR PUR XM DE |  |
| GENERAL TOLERANCES (UNLESS SPECIFIED)                |   | EC NO: 692351          |   |  |
| ANGULAR TOL ± 1.0°                                   |   | DRWN: HDUERRWANG       | 2022/01/25  |  |
| 4 PLACES ±   |   | CHK'D: RSILLER         | 2022/01/25  |  |
| 3 PLACES ±   |   | APPR: RSILLER          | 2022/01/25  |  |
| 2 PLACES ± 0.05                                      |   | INITIAL REVISION:      |   |  |
| 1 PLACE ± 0.3  |   | DRWN: FGAIK            | 2017/06/19  |  |
| 0 PLACES ± 0.5                                       |   | APPR: BBRAUCH          | 2017/06/21  |  |
| DRAFT WHERE APPLICABLE MUST REMAIN WITHIN DIMENSIONS |   | THIRD ANGLE PROJECTION | DRAWING   |  |
|  |   | SERIES                 | MATERIAL NUMBER   |  |
|  |   | A3-SIZE                | 120341  |  |
|  |   | CUSTOMER               | SEE TABLE 1   |  |
|  |   | DOC TYPE               | PSD   |  |
|  |   | DOC PART               | 000   |  |
|  |   | REVISION               | A8  |  |
|  |   | SHEET NUMBER           | 2 OF 2  |  |