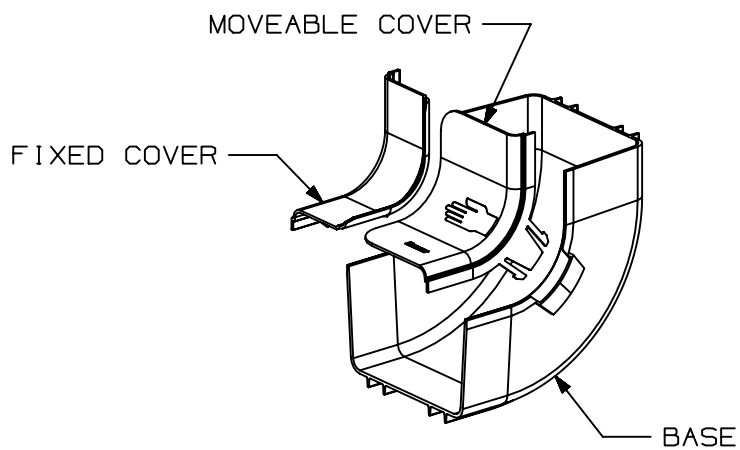


2

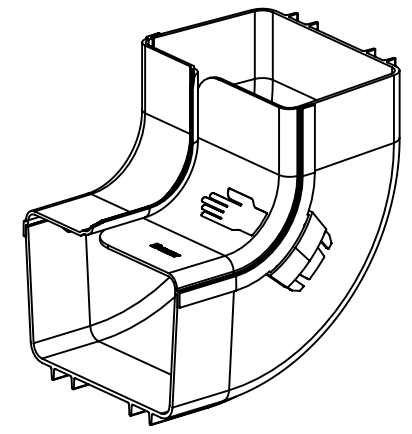
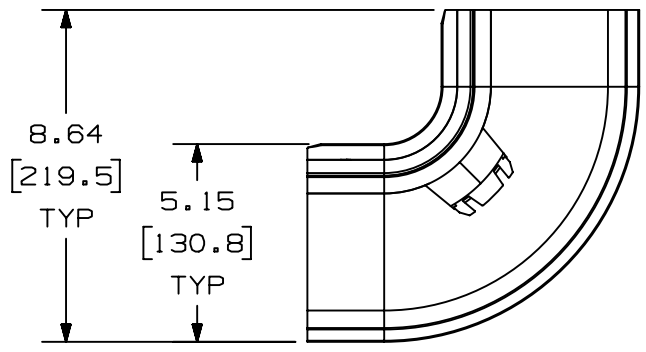
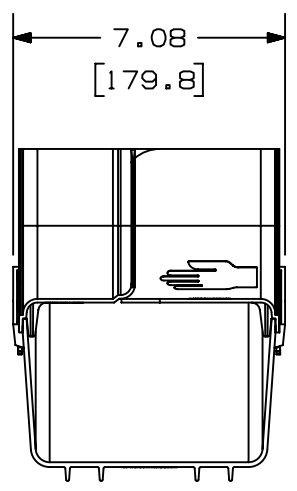
1

THIS COPY IS PROVIDED ON A RESTRICTED BASIS AND IS NOT TO BE USED IN ANY WAY DETRIMENTAL TO THE INTERESTS OF PANDUIT CORP.



- NOTES:
1. SEE CURRENT CATALOG FOR ADDITIONAL PART SUFFIXES TO INDICATE COLOR AND/OR PACKAGE QUANTITY.
  2. THE FIBERRUNNER 6x4 INSIDE VERTICAL RIGHT ANGLE FITTING IS DESIGNED WITH A MINIMUM 2" (50.8) BEND RADIUS TO PROTECT FIBER OPTIC CABLES.
  3. PARTS SUPPLIED:  
 (1)- INSIDE VERTICAL RIGHT ANGLE BASE  
 (1)- FIXED COVER SECTION  
 (1)- MOVEABLE COVER SECTION
  4. DIMENSIONS IN PARENTHESES ARE IN METRIC.

PANDUIT PART NUMBER	WEIGHT	MATERIAL
FRIVRA6X4**	1.22 LB/EACH (555g/EACH)	ABS
FRIVRA6X4L**	1.22 LB/EACH (555g/EACH)	PC/ABS



B

B

A

A

N:\GLOBAL\_ASIZE

REV	DATE	BY	CHK	APR	DESCRIPTION	ECN
01B	9/3/20	MEX-JAGC	DWR	DWR	ADDED PART NUMBER CADFILE WAS D38778BK UPDATED DRAWING BORDER & TITLE BLOCK	V09002DZ/11

TITLE <b>FIBERRUNNER 6x4 INSIDE VERTICAL RIGHT ANGLE FITTING (FRIVRA6X4**, FRIVRA6X4L**)</b>			
CUSTOMER DRAWING			
ITEM REVISION NAME <b>D38778AB/00</b>		<b>PANDUIT</b>	
DATASET FILE NAME <b>D38778AB_DC/01B</b>			
DRAWING NUMBER: <b>38778-11</b>		MATERIAL: <b>SEE PART NUMBER TABLE ABOVE</b>	
THIRD ANGLE PROJECTION	DRAWING NUMBER: <b>38778-11</b>		
DRAWN BY <b>MSO</b>	DATE <b>8/17/04</b>	CHK <b>SMF</b>	SCALE <b>NONE</b>
SHT 1 OF 1		SIZE <b>A</b>	

2

1