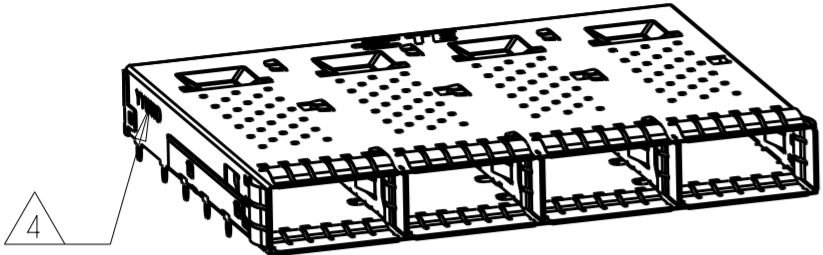
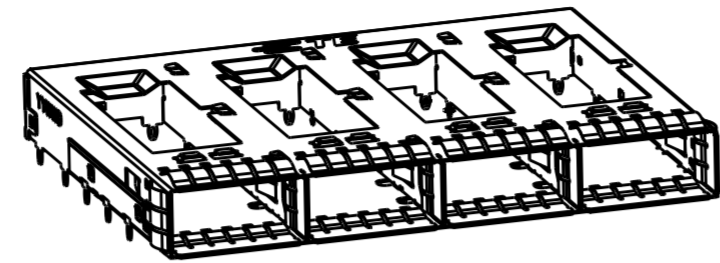


THIS DRAWING IS UNPUBLISHED. RELEASED FOR PUBLICATION 20
 © COPYRIGHT 20 BY - ALL RIGHTS RESERVED.

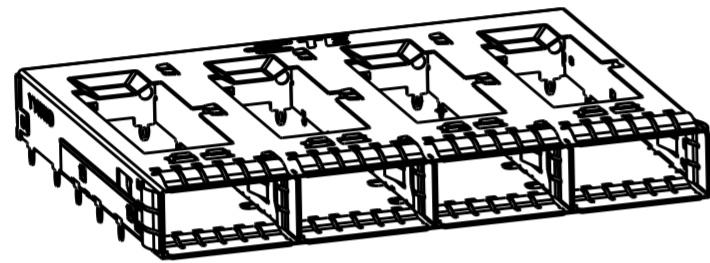
REVISIONS				
P	LTR	DESCRIPTION	DATE	DWN APVD
	A	RELEASE	03NOV2016	JY SH



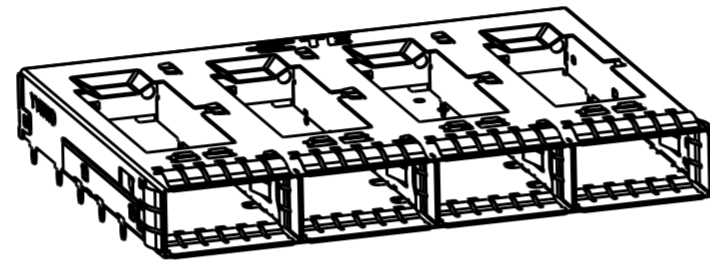
2170744-1 AS SHOWN
SCALE 1:1



2170744-2 AS SHOWN
SCALE 1:1

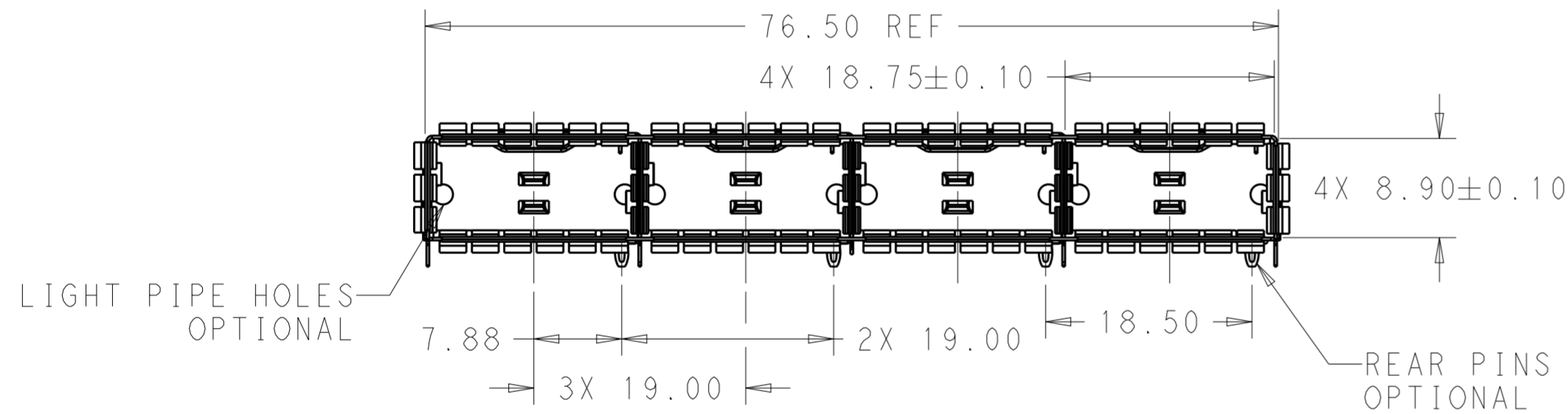


2170744-3 AS SHOWN
SCALE 1:1

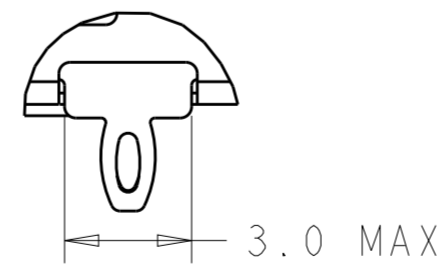
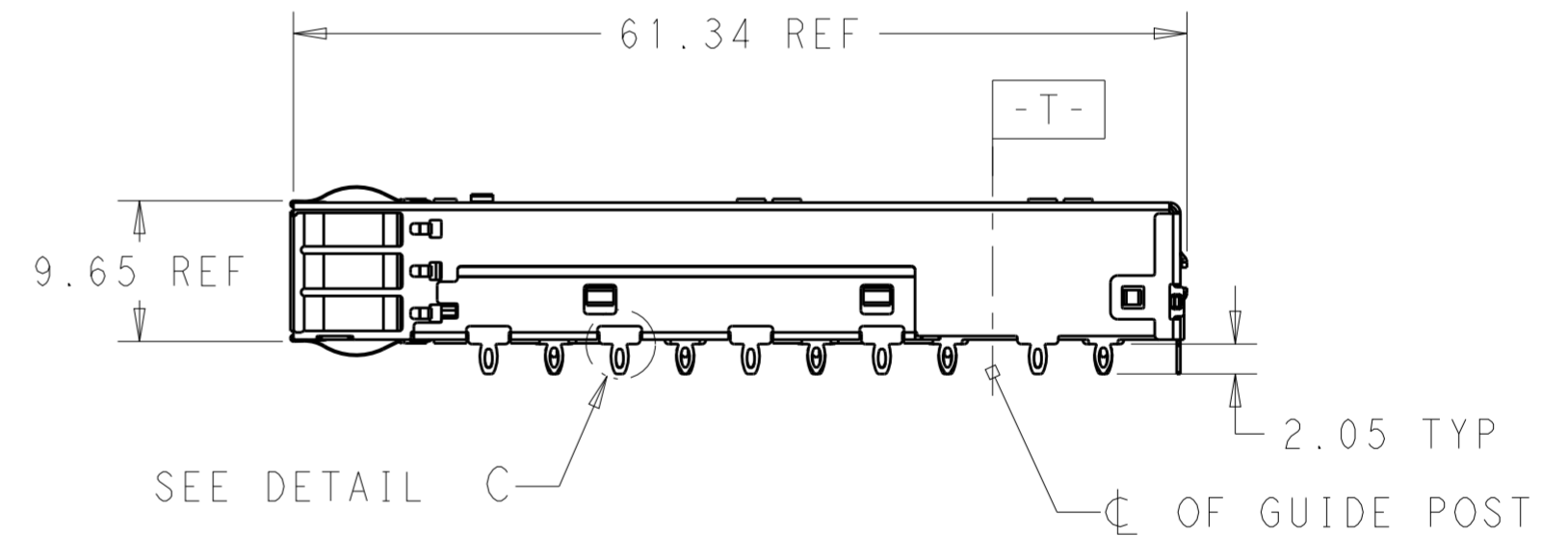


2170744-6 AS SHOWN
SCALE 1:1

- COMPONENTS
 CAGE ASSEMBLY: NICKEL-SILVER ALLOY
 EMI SPRING: COPPER ALLOY/NICKEL PLATE
- REFERENCE APPLICATION SPECIFICATION 114-32023 FOR RECOMMENDED DRILL HOLE DIAMETER AND PLATING THICKNESS
- DATUM AND BASIC DIMENSION ESTABLISHED BY CUSTOMER
- DATE CODE (YYWWD) MARKED APPROXIMATELY AS SHOWN.
- MATES WITH QSFP28 MSA COMPATIBLE TRANSCEIVER.
- MINIMUM PC BOARD THICKNESS: SINGLE SIDED: 1.57 MIN
 DOUBLE SIDED: 2.20 MIN
- DATUM **-A-** IS TOP SURFACE OF THE HOST BOARD.
- THESE HOLES ARE OPTIONAL WHEN THE REAR PINS ARE REMOVED.



SCALE 2:1



DETAIL C
SCALE 6:1

WITH	WITHOUT	WITH	2170744-6
WITHOUT	WITHOUT	WITH	2170744-5
WITHOUT	WITHOUT	WITHOUT	2170744-4
WITH	WITH	WITH	2170744-3
WITHOUT	WITH	WITH	2170744-2
WITHOUT	WITH	WITHOUT	2170744-1
LIGHT PIPE HOLE OPTIONAL	REAR PIN OPTIONAL	HEAT SINK OPEN OPTIONAL	PART NUMBER

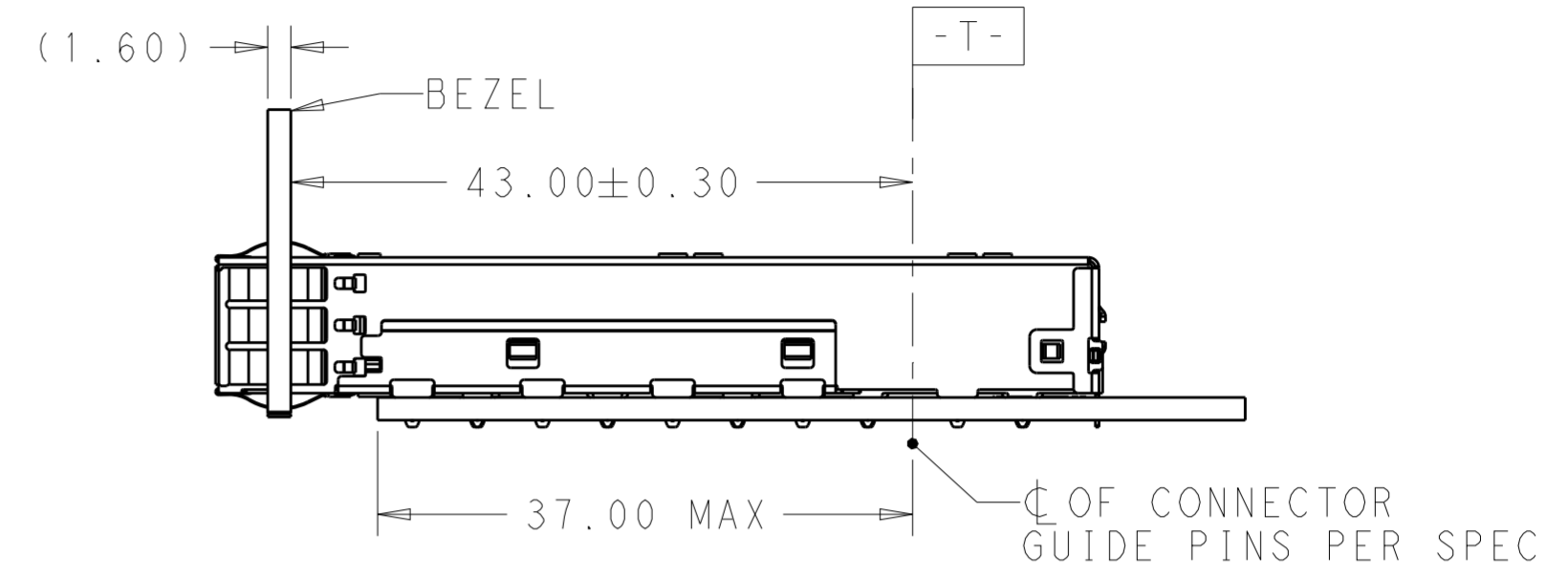
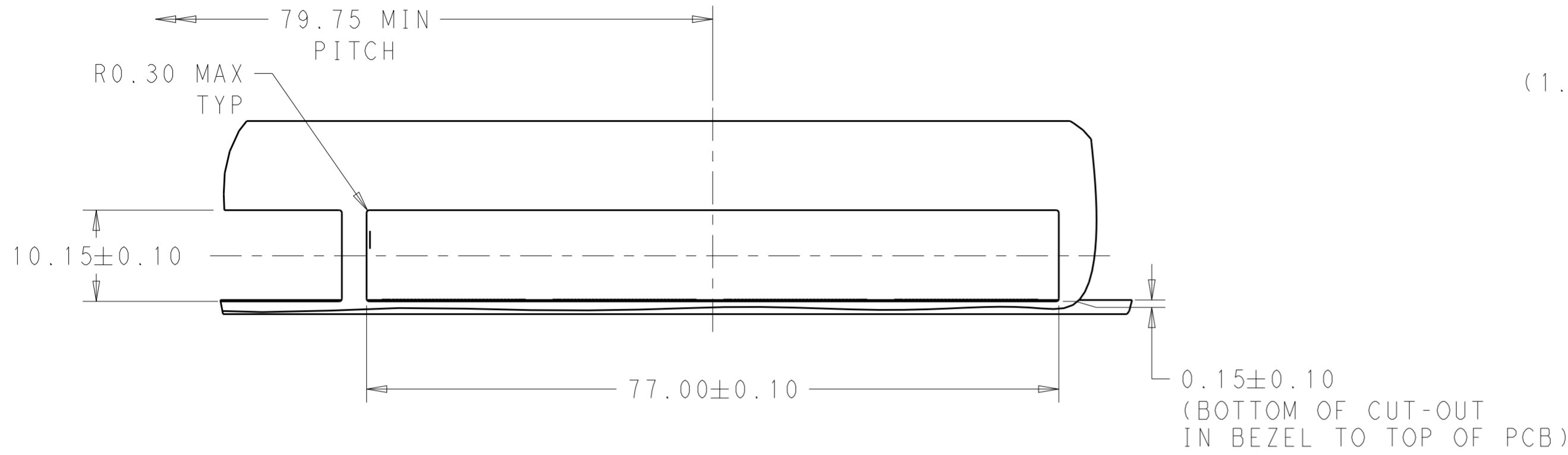
THIS DRAWING IS A CONTROLLED DOCUMENT.

DIMENSIONS: mm	TOLERANCES UNLESS OTHERWISE SPECIFIED: 0 PLC ± 1 PLC ±0.25 2 PLC ±0.2 3 PLC ± 4 PLC ± ANGLES ± FINISH	DWN 08JUL2014 JASON YANG CHK 04JAN2016 SEAN HAN APVD -	TE Connectivity NAME RECEPTACLE CAGE ASSEMBLY THRU BEZEL, 1X4, QSFP28 SIZE CAGE CODE DRAWING NO RESTRICTED TO A200779 C-2170744 -
MATERIAL SEE NOTES	SEE NOTES	PRODUCT SPEC 108-19428 APPLICATION SPEC 114-32023 WEIGHT -	

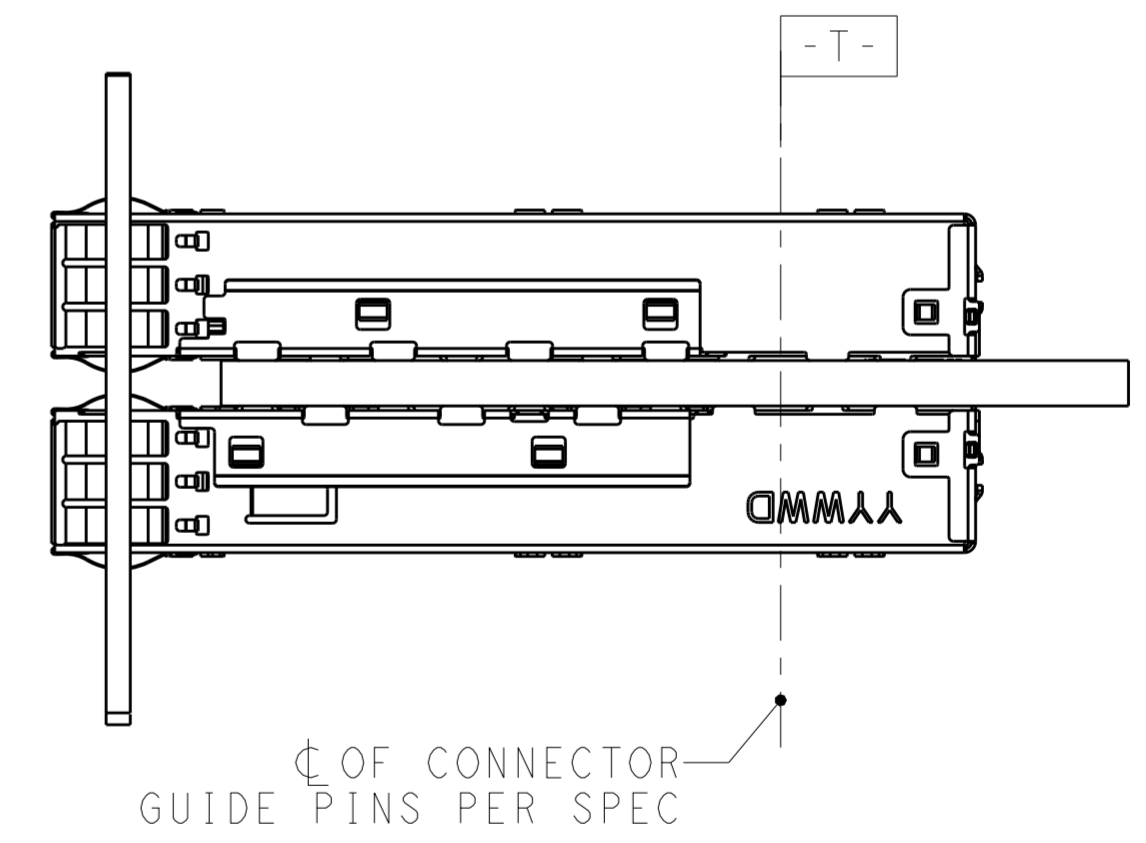
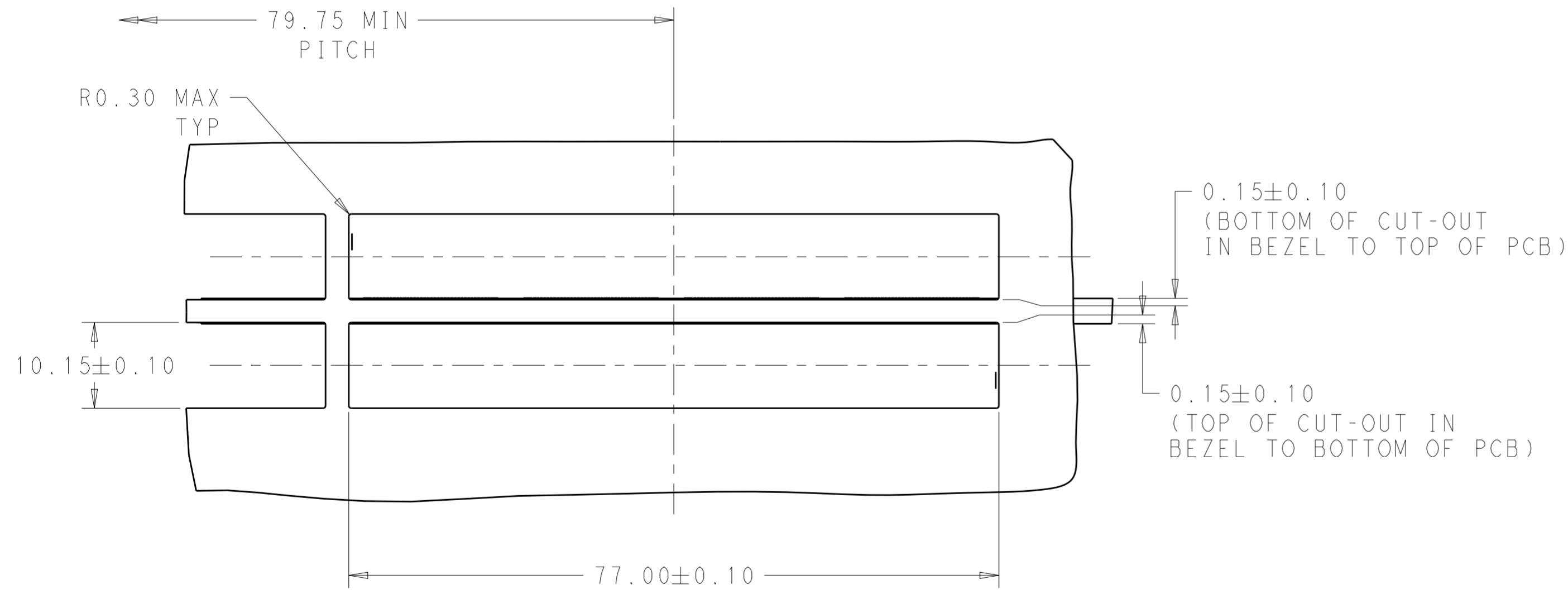
CUSTOMER DRAWING SCALE 1:1 SHEET 1 OF 5 REV A

THIS DRAWING IS UNPUBLISHED. RELEASED FOR PUBLICATION 20
 © COPYRIGHT 20 BY - ALL RIGHTS RESERVED.

REVISIONS				
P	LTR	DESCRIPTION	DATE	APVD
-	-	SEE SHEET 1	-	-



SINGLE SIDE MOUNTING
 SCALE 2:1

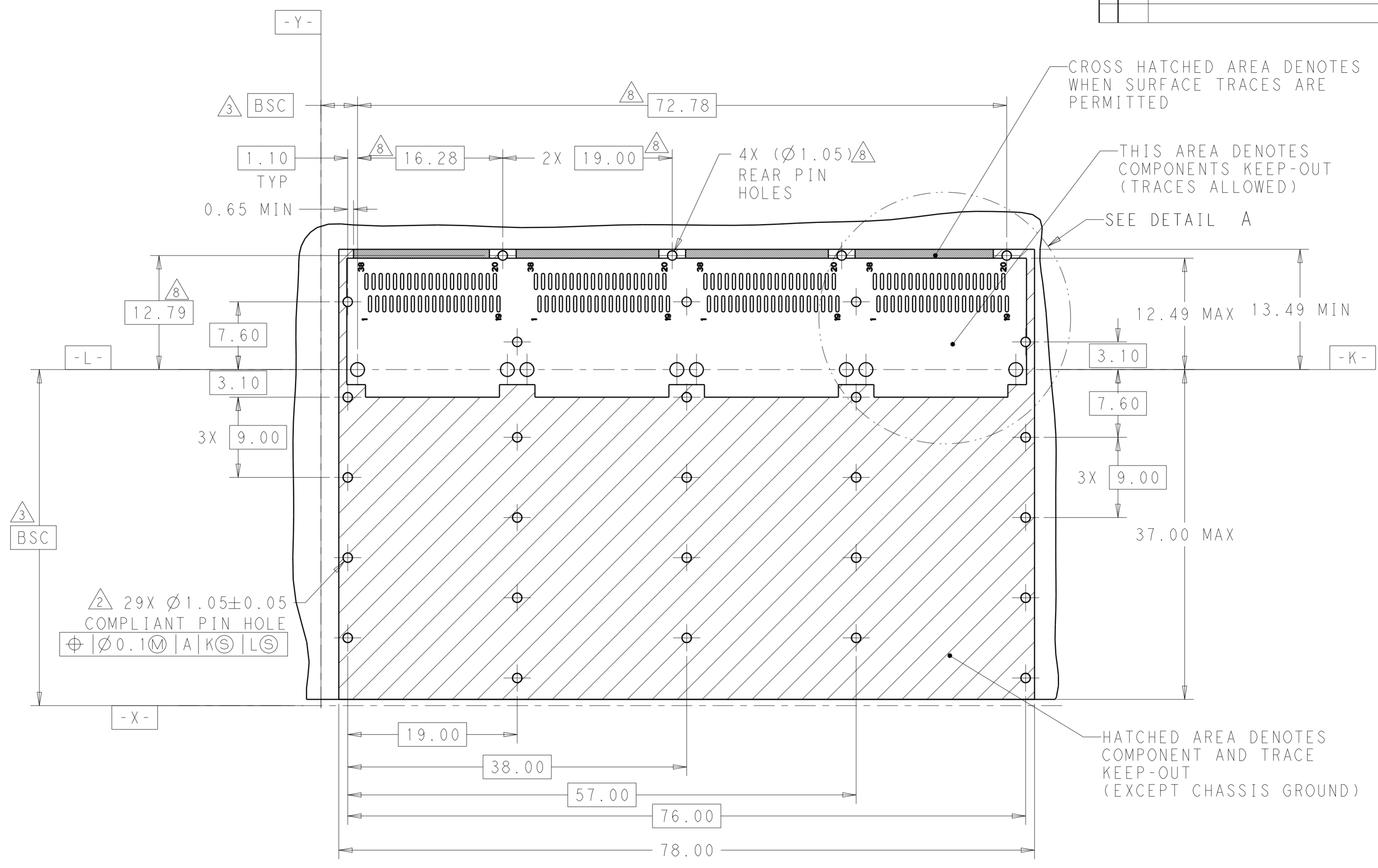


BELLY TO BELLY MOUNTING
 SCALE 2:1

THIS DRAWING IS A CONTROLLED DOCUMENT.		DWN 08JUL2014 JASON YANG	STE TE Connectivity	
		CHK 04JAN2016 SEAN HAN		
DIMENSIONS:	TOLERANCES UNLESS OTHERWISE SPECIFIED:	APVD -	NAME RECEPTACLE CAGE ASSEMBLY THRU BEZEL, 1X4, QSFP28	
mm	0 PLC ± 1 PLC ±0.25 2 PLC ±0.2 3 PLC ± 4 PLC ±	PRODUCT SPEC 108-19428	SIZE CAGE CODE DRAWING NO RESTRICTED TO	
MATERIAL SEE NOTES	FINISH SEE NOTES	APPLICATION SPEC 114-32023	A200779	C-2170744
		WEIGHT -	CUSTOMER DRAWING SCALE 1:1 SHEET 2 OF 5 REV A	

THIS DRAWING IS UNPUBLISHED. RELEASED FOR PUBLICATION 20
 © COPYRIGHT 20 BY - ALL RIGHTS RESERVED.

REVISIONS				
P	LTR	DESCRIPTION	DATE	APVD
-	-	SEE SHEET 1	-	-



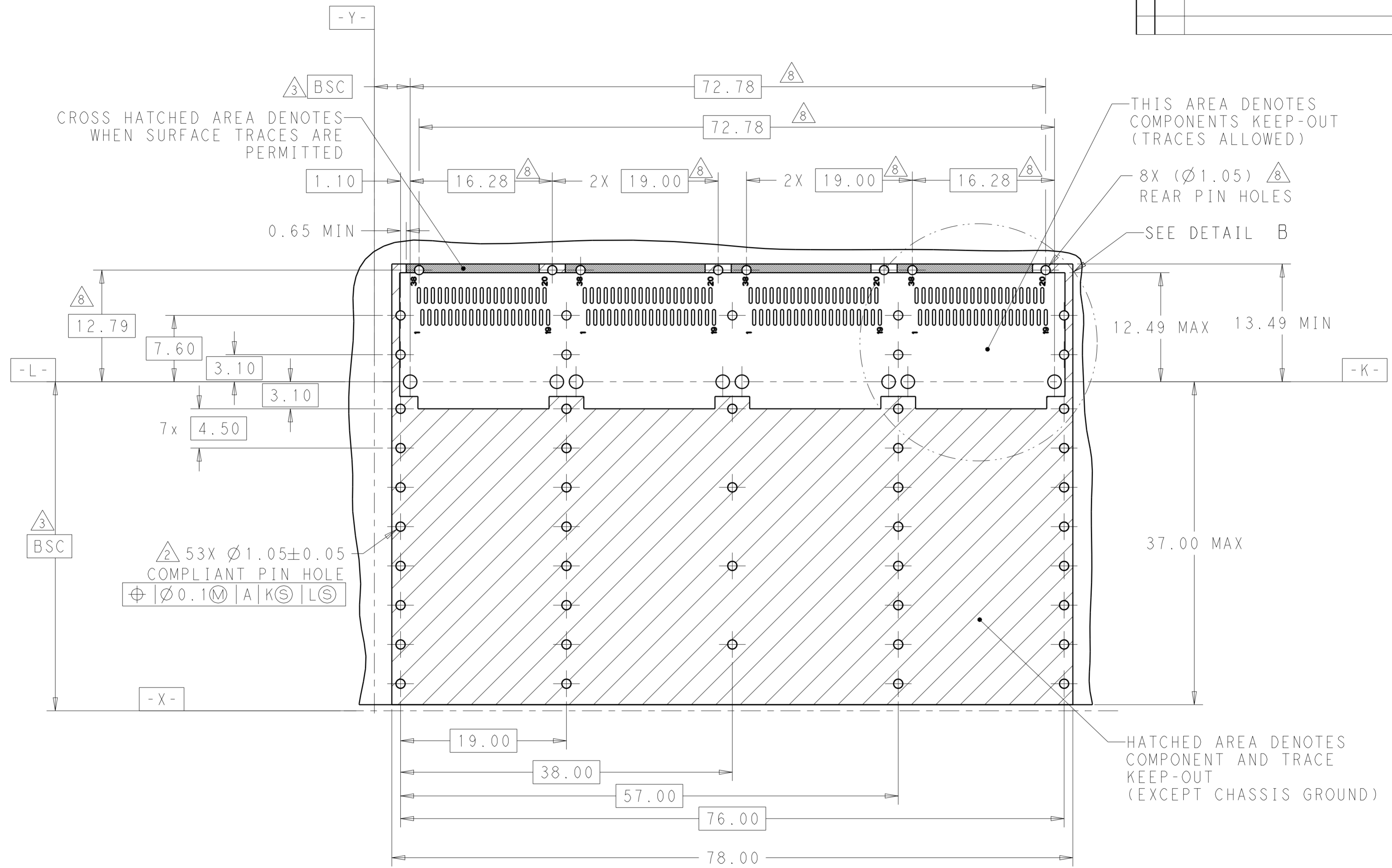
29X Ø1.05±0.05
 COMPLIANT PIN HOLE
 Ø0.1M | A | K | S | L | S

RECOMMENDED PCB LAYOUT
 SINGLE TYPE
 PCB TOLERANCE: ±0.05
 SCALE 3:1

THIS DRAWING IS A CONTROLLED DOCUMENT.		DWN 08JUL2014 JASON YANG	TE Connectivity	
		CHK 04JAN2016 SEAN HAN		
DIMENSIONS: mm		APVD -	NAME RECEPTACLE CAGE ASSEMBLY THRU BEZEL, 1X4, QSFP28	
TOLERANCES UNLESS OTHERWISE SPECIFIED:		PRODUCT SPEC 108-19428	RESTRICTED TO -	
0 PLC ±-		APPLICATION SPEC 114-32023	SIZE A200779	DRAWING NO C-2170744
1 PLC ±0.25		WEIGHT -	SCALE 1:1 SHEET 3 OF 5 REV A	
2 PLC ±0.2		CUSTOMER DRAWING		
3 PLC ±-				
4 PLC ±-				
ANGLES ±-				
FINISH SEE NOTES				

THIS DRAWING IS UNPUBLISHED. RELEASED FOR PUBLICATION 20
 © COPYRIGHT 20 BY - ALL RIGHTS RESERVED.

REVISIONS				
P	LTR	DESCRIPTION	DATE	APVD
-	-	SEE SHEET 1	-	-

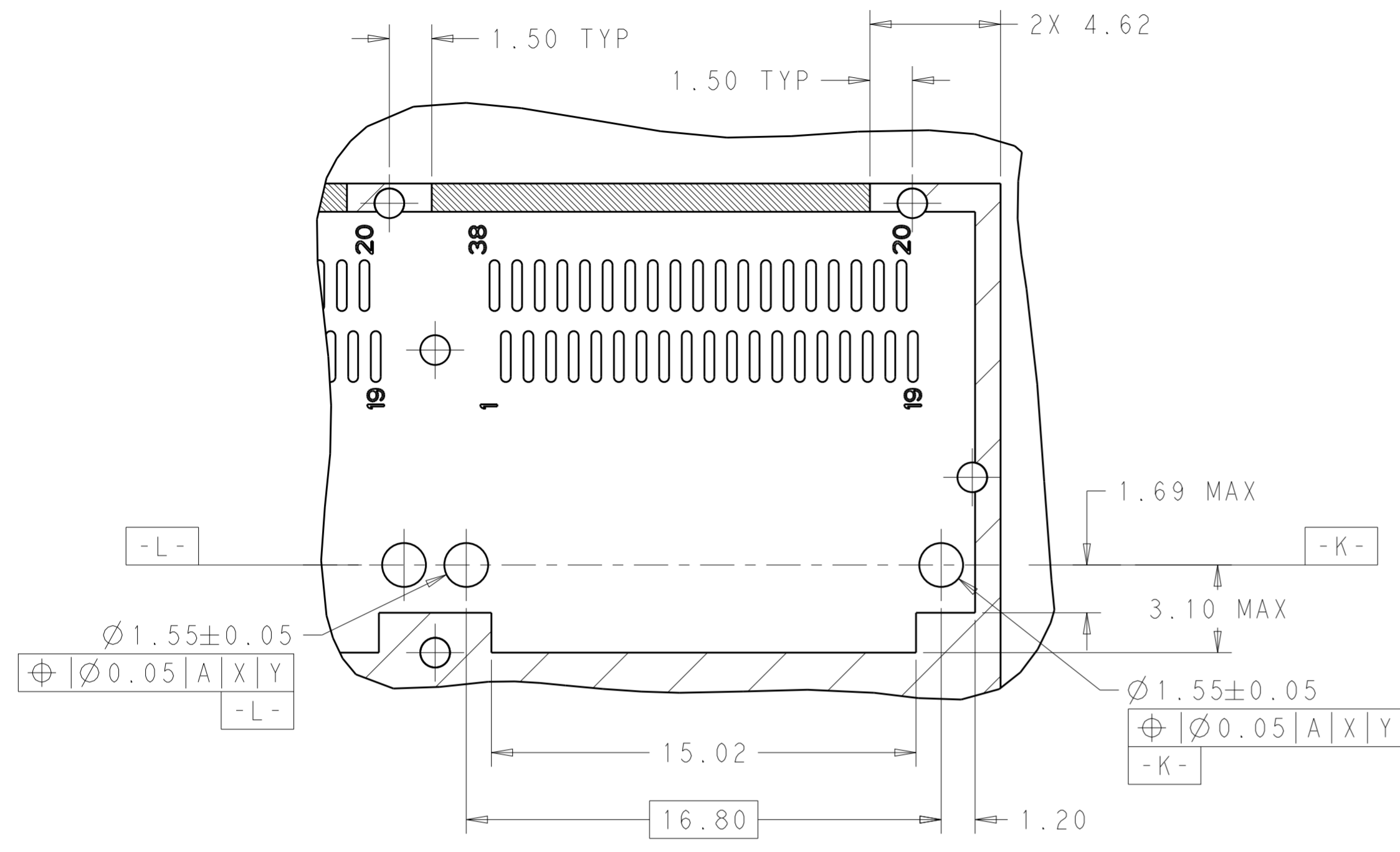


RECOMMENDED PCB LAYOUT
 BELLY TO BELLY TYPE
 PCB TOLERANCE: ±0.05
 SCALE 3:1

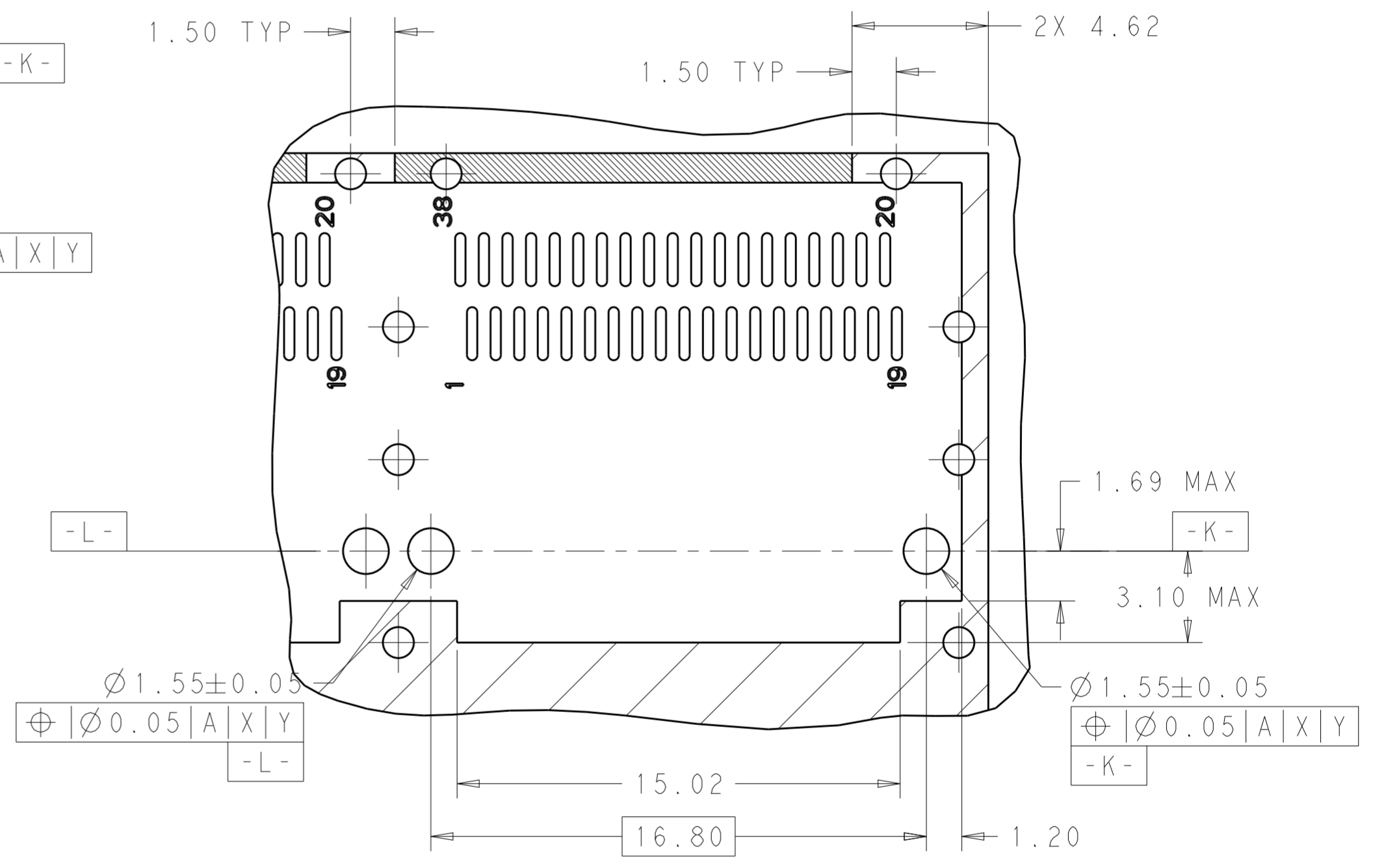
THIS DRAWING IS A CONTROLLED DOCUMENT.		DWN JASON YANG 08 JUL 2014	TE Connectivity	
		CHK SEAN HAN 04 JAN 2016		
DIMENSIONS: mm		APVD -	NAME RECEPTACLE CAGE ASSEMBLY THRU BEZEL, 1X4, QSFP28	
TOLERANCES UNLESS OTHERWISE SPECIFIED: 0 PLC ± 1 PLC ±0.25 2 PLC ±0.2 3 PLC ± 4 PLC ± ANGLES ± FINISH		PRODUCT SPEC 108-19428	SIZE A200779	
MATERIAL SEE NOTES		APPLICATION SPEC 114-32023	DRAWING NO C-2170744	
		WEIGHT -	RESTRICTED TO -	
		CUSTOMER DRAWING	SCALE 1:1 SHEET 4 OF 5 REV A	

THIS DRAWING IS UNPUBLISHED. RELEASED FOR PUBLICATION 20
 © COPYRIGHT 20 BY - ALL RIGHTS RESERVED.


REVISIONS				
P	LTR	DESCRIPTION	DATE	APVD
-	-	SEE SHEET 1	-	-



DETAIL A
SCALE 6:1



DETAIL B
SCALE 6:1

THIS DRAWING IS A CONTROLLED DOCUMENT.		DWN JASON YANG 08 JUL 2014	 TE Connectivity	
		CHK SEAN HAN 04 JAN 2016		
DIMENSIONS:	TOLERANCES UNLESS OTHERWISE SPECIFIED:	APVD	NAME	
mm	0 PLC ± 1 PLC ±0.25 2 PLC ±0.2 3 PLC ± 4 PLC ±	-	RECEPTACLE CAGE ASSEMBLY THRU BEZEL, 1X4, QSFP28	
	FINISH	PRODUCT SPEC	SIZE	CAGE CODE
MATERIAL	SEE NOTES	108-19428	A200779	DRAWING NO
		APPLICATION SPEC	C-2170744	RESTRICTED TO
		114-32023		-
		WEIGHT		
		CUSTOMER DRAWING	SCALE 1:1	SHEET 5 OF 5
				REV A