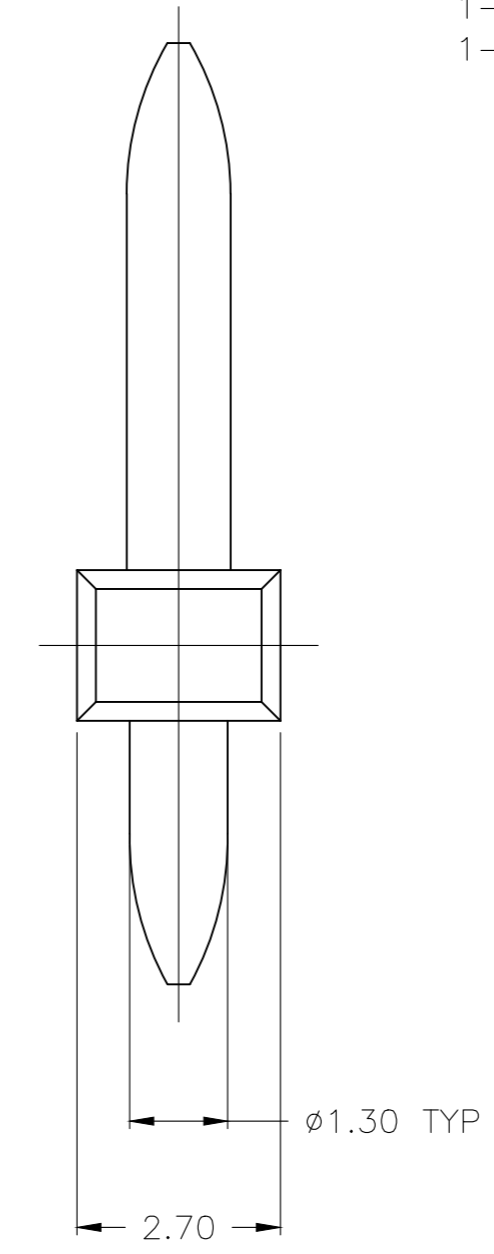
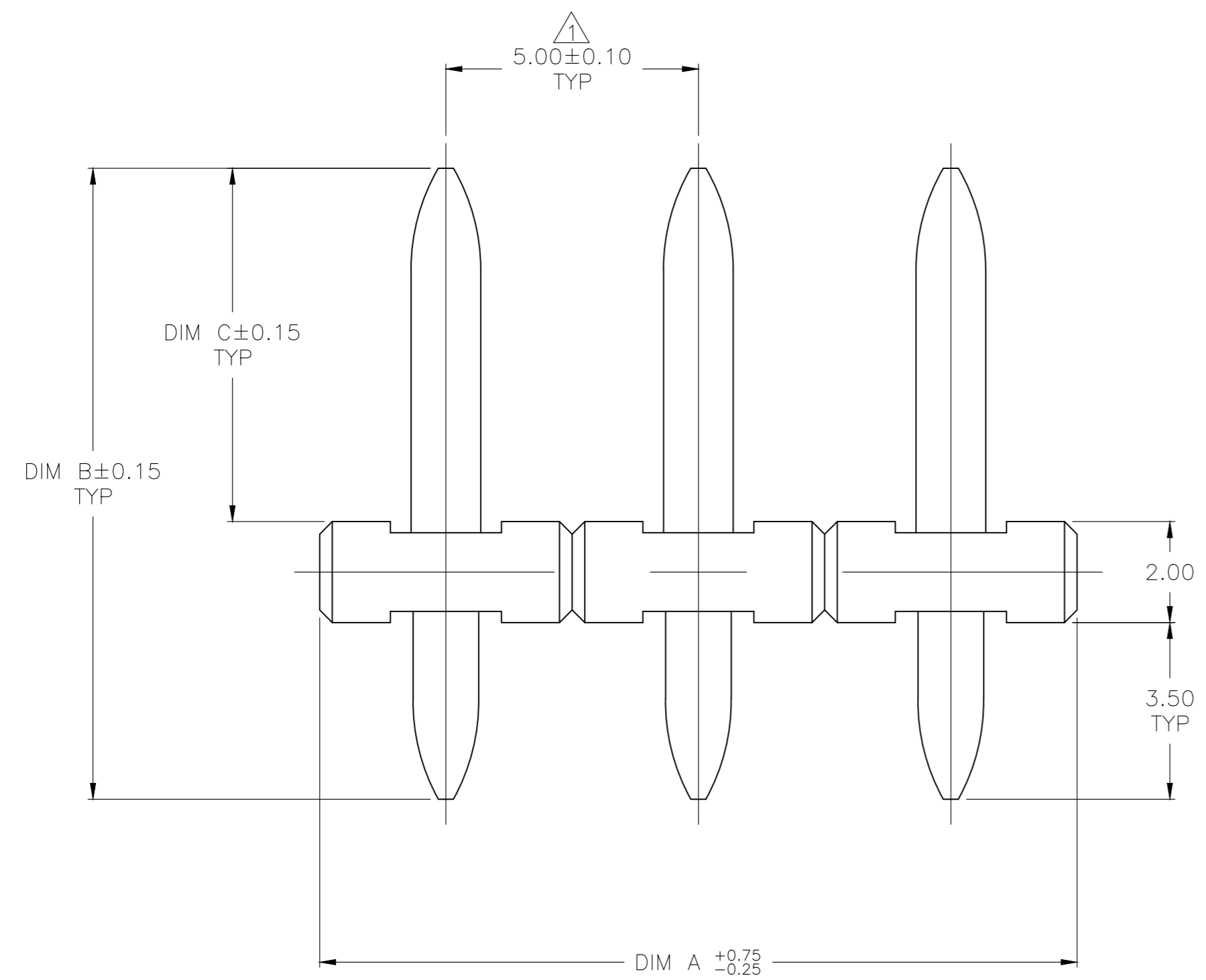


THIS DRAWING IS UNPUBLISHED. RELEASED FOR PUBLICATION
 © COPYRIGHT - By - ALL RIGHTS RESERVED.

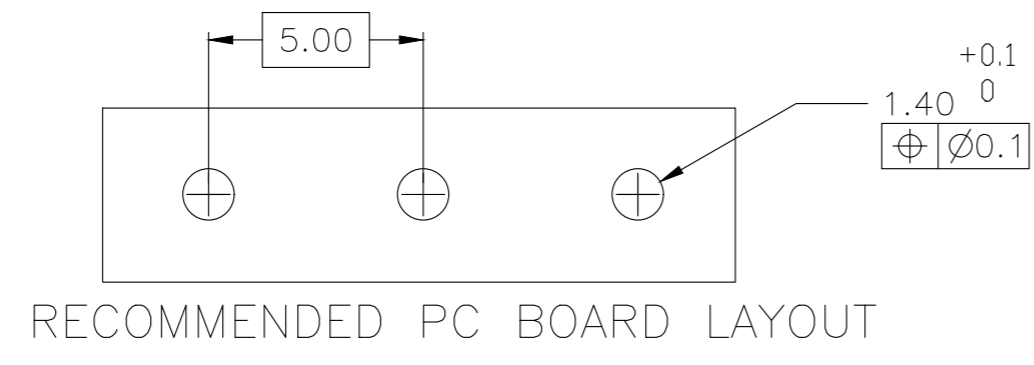
| REVISIONS | | | | |
|-----------|-----|-----------------------|-----------|-------|
| P | LTR | DESCRIPTION | DATE | APVD |
| | A1 | P/N 2-1776489-7 ADDED | 16JAN2018 | RK PS |

- 1. NON CUMULATIVE.
- 2. PARTS TO BE WAVE SOLDER PROCESS CAPABLE UP TO 265°C FOR 10 SECONDS MAX.
- 3. OBSOLETE

- 1-1. MATERIAL:
 - 1-1-1. PINS: BRASS, NICKEL AND TIN PLATED.
 - 1-1-2. INSULATOR BODY: PA 6.6, UL94V-0 (STRIP ONLY)(COLOR BLUE)
- 1-2. ELECTRICAL:
 - 1-2-1. CURRENT RATING: 10 AMPS/WAY MAX.
 - 1-2-2. WITHSTANDING VOLTAGE: 1500 VAC/MIN
TEST TIME=60 SEC/1PC
 - 1-2-3. INSULATION RESISTANCE: 5000Mohm /1000V
- 1-3. MECHANICAL:
 - 1-3-1. CONTACT RETENTION FORCE: 3 KG/CM (MIN).
 - 1-3-2. OPERATING TEMPERATURE: -55°C TO +105°C.
 - 1-3-3. SOLDERABILITY: 95% COVERAGE (MIN)
TEST TEMPERATURE= 230°C±10°C
TEST TIME= 3SEC ± 0.5SEC.



| DIM C | DIM B | DIM A | NO. OF POSN | PART NUMBER |
|-------|-------|---------------|-------------|-------------|
| 38.5 | 44.00 | 20.00(.787) | 4 | 2-1776489-7 |
| 7.00 | 12.50 | 120.00(4.724) | 24 | 2-1776489-4 |
| 7.00 | 12.50 | 115.00(4.528) | 23 | 2-1776489-3 |
| 7.00 | 12.50 | 110.00(4.331) | 22 | 2-1776489-2 |
| 7.00 | 12.50 | 105.00(4.134) | 21 | 2-1776489-1 |
| 7.00 | 12.50 | 100.00(3.937) | 20 | 2-1776489-0 |
| 7.00 | 12.50 | 95.00(3.740) | 19 | 1-1776489-9 |
| 7.00 | 12.50 | 90.00(3.543) | 18 | 1-1776489-8 |
| 7.00 | 12.50 | 85.00(3.346) | 17 | 1-1776489-7 |
| 7.00 | 12.50 | 80.00(3.150) | 16 | 1-1776489-6 |
| 7.00 | 12.50 | 75.00(2.953) | 15 | 1-1776489-5 |
| 7.00 | 12.50 | 70.00(2.756) | 14 | 1-1776489-4 |
| 7.00 | 12.50 | 65.00(2.559) | 13 | 1-1776489-3 |
| 7.00 | 12.50 | 60.0(2.362) | 12 | 1-1776489-2 |
| 7.00 | 12.50 | 55.00(2.165) | 11 | 1-1776489-1 |
| 7.00 | 12.50 | 50.00(1.969) | 10 | 1-1776489-0 |
| 7.00 | 12.50 | 45.00(1.772) | 9 | 1776489-9 |
| 7.00 | 12.50 | 40.00(1.575) | 8 | 1776489-8 |
| 7.00 | 12.50 | 35.00(1.378) | 7 | 1776489-7 |
| 7.00 | 12.50 | 30.00(1.181) | 6 | 1776489-6 |
| 7.00 | 12.50 | 25.00(.984) | 5 | 1776489-5 |
| 7.00 | 12.50 | 20.00(.787) | 4 | 1776489-4 |
| 7.00 | 12.50 | 15.00(.591) | 3 | 1776489-3 |
| 7.00 | 12.50 | 10.00(.394) | 2 | 1776489-2 |



THIS DRAWING IS A CONTROLLED DOCUMENT.

| | | | |
|------------------|------------|--------|---|
| DWN | S SCHLEGEL | 5/2/05 | TE Connectivity |
| CHK | C RICHARD | 5/2/05 | |
| APVD | C RICHARD | 5/2/05 | |
| PRODUCT SPEC | | | |
| APPLICATION SPEC | | | NAME |
| MATERIAL | | | HEADER, STRAIGHT, UNSHROUDED 5.0MM PITCH |
| FINISH | | | SIZE |
| WEIGHT | | | A2 00779 |
| CUSTOMER DRAWING | | | DRAWING NO |
| SCALE | | | C=1776489 |
| SHEET | | | RESTRICTED TO |
| 1 OF 1 | | | — |
| REV | | | A1 |