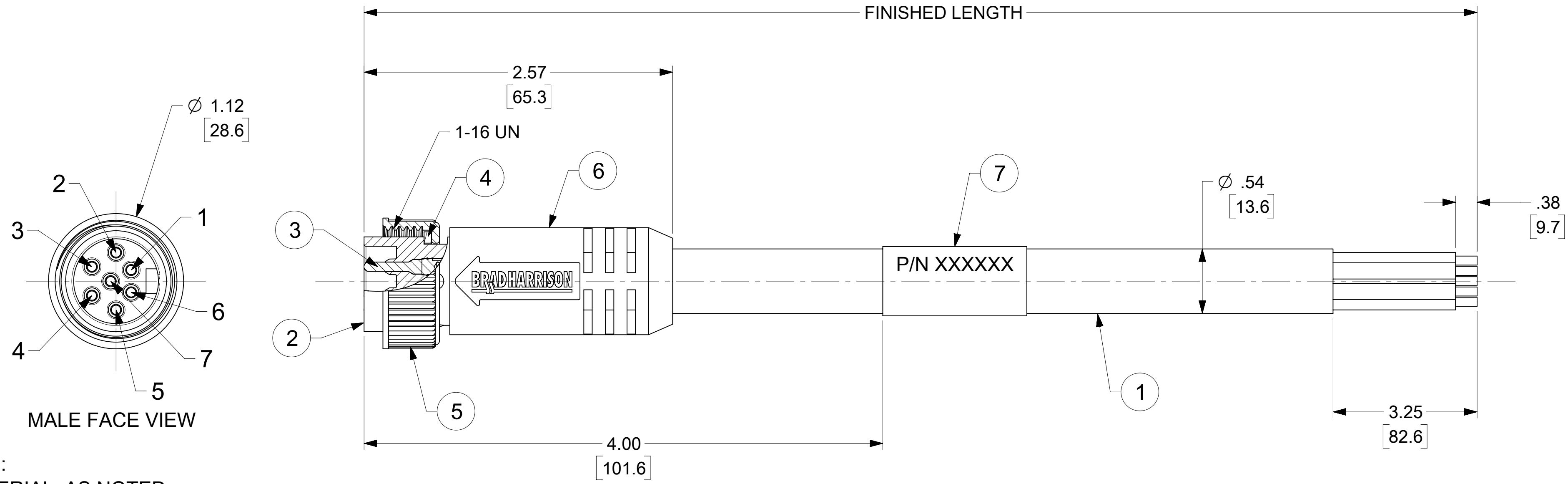
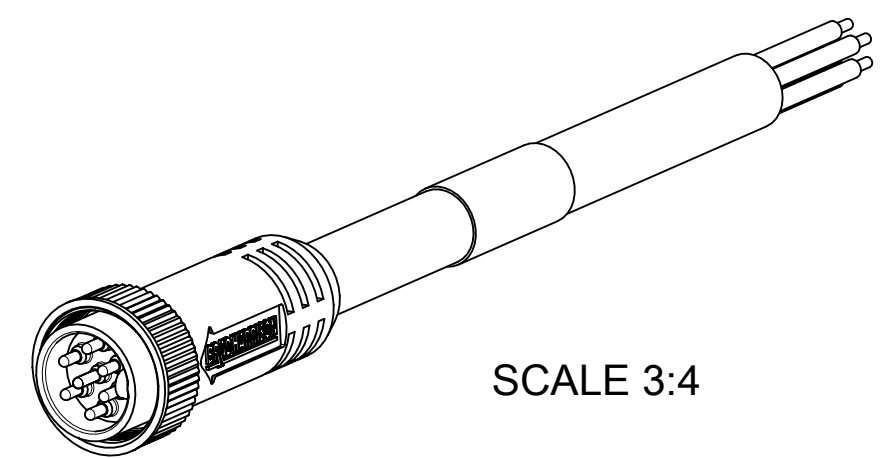


MATERIAL NO.	ENGINEERING NO.	FINISHED LENGTH
1300070113	207002A01F030	3 FT (0.91 M)
1300070115	207002A01F060	6 FT (1.82 M)
1300070117	207002A01F120	12 FT (3.65 M)
1300070442	207002A01F150	15 FT (4.57 M)

CABLE LENGTH TOLERANCES
 <.3M [1FT]: +19mm-0 [+ .75in-0]
 .3 - .9M [1 - 3FT]: +44.5mm-0 [+1.75in-0]
 .9 - 1.8M [3 - 6FT]: +55.6mm-0 [+2.19in-0]
 1.8 - 3.7M [6 - 12FT]: +88.9mm-0 [+3.50in-0]
 3.7 - 7.3M [12 - 24FT]: +165.1mm-0 [+6.50in-0]
 7.3-14.6M [24 - 48FT]: +317.5mm-0 [+12.50in-0]
 14.6 - 30.5M [48-100FT]: +622.3mm-0 [+24.50in-0]
 OVER 30M [100FT] +2% OF FINISHED LENGTH



- NOTES:**
- MATERIAL: AS NOTED
 - FINISH: AS NOTED
 - ELECTRICAL:
 VOLTAGE: 320V PER IEC60664
 600V PER UL2238
 CURRENT: 8A
 - TEMP RATING: -20°C TO +105°C
 - PROTECTION: IP67 (WHEN MATED)
 - CSA CERTIFIED FILE: LR6837
 - UL RECOGNIZED FILE: E152210
 - ALL DIMS ARE FOR REFERENCE UNLESS TOLERANCED OR NOTED OTHERWISE

WIRING DIAGRAM

1	WHITE/BLACK
2	BLACK
3	WHITE
4	RED
5	ORANGE
6	BLUE
7	GREEN/YELLOW

PART NUMBER LEGEND

207000A01F030

FINISHED LENGTH
 F001= .1 FT
 F020= 2 FT
 F200= 20 FT

ITEM	DESCRIPTION	MATERIAL	FINISH
7	WRAP LABEL	VINYL	BLACK/YELLOW
6	OVERMOLD	TPE	YELLOW
5	COUPLING NUT	ZINC DIE CAST	BLACK E-COAT
4	FRICTION RING	NYLON	WHITE
3	PIN CONTACT	Cu ALLOY	GOLD OVER NICKEL
2	MALE INSERT	TPE	YELLOW
1	CABLE, 16-7, STOOV/ST	PVC JACKET	YELLOW
	ITEM	DESCRIPTION	MATERIAL
			FINISH

FUNCTIONAL SYMBOLS	THIS DRAWING CONTAINS INFORMATION THAT IS PROPRIETARY TO MOLEX ELECTRONIC TECHNOLOGIES, LLC AND SHOULD NOT BE USED WITHOUT WRITTEN PERMISSION			
	DIMENSION UNITS	SCALE		CURRENT REV DESC: UPDATED ITEM #2,6 & 7. ADDED CSA, UL, IEC VOLT, TEMP RATING, IP RATING & TOL. CHART. MODIFIED PN CHART
	INCH/MM	1.5:1		
	GENERAL TOLERANCES (UNLESS SPECIFIED)			
DIVISIONAL SYMBOLS	4 PLACES	±	±	EC NO: 718076 DRWN: VHANDI 2021/06/06 CHK'D: RSTONE 2022/08/18 APPR: BWOODMAN 2022/08/22
	3 PLACES	±	±	
	2 PLACES	±	±	
	1 PLACE	±	±	
INITIAL REVISION:				DOCUMENT NUMBER
0 PLACES	±	±	DRWN: BRUPERT 2009/06/02 APPR: JFMURPHY 2009/06/10	
ANGULAR TOL ± °				SD-130007-003
DRAFT WHERE APPLICABLE MUST REMAIN WITHIN DIMENSIONS				THIRD ANGLE PROJECTION
DRAWING		SERIES		MATERIAL NUMBER
C-SIZE		130007		SEE TABLE
CUSTOMER				DOC TYPE
GENERAL MARKET				PSD
SHEET NUMBER				DOC PART
1 OF 1				001
REVISION				B