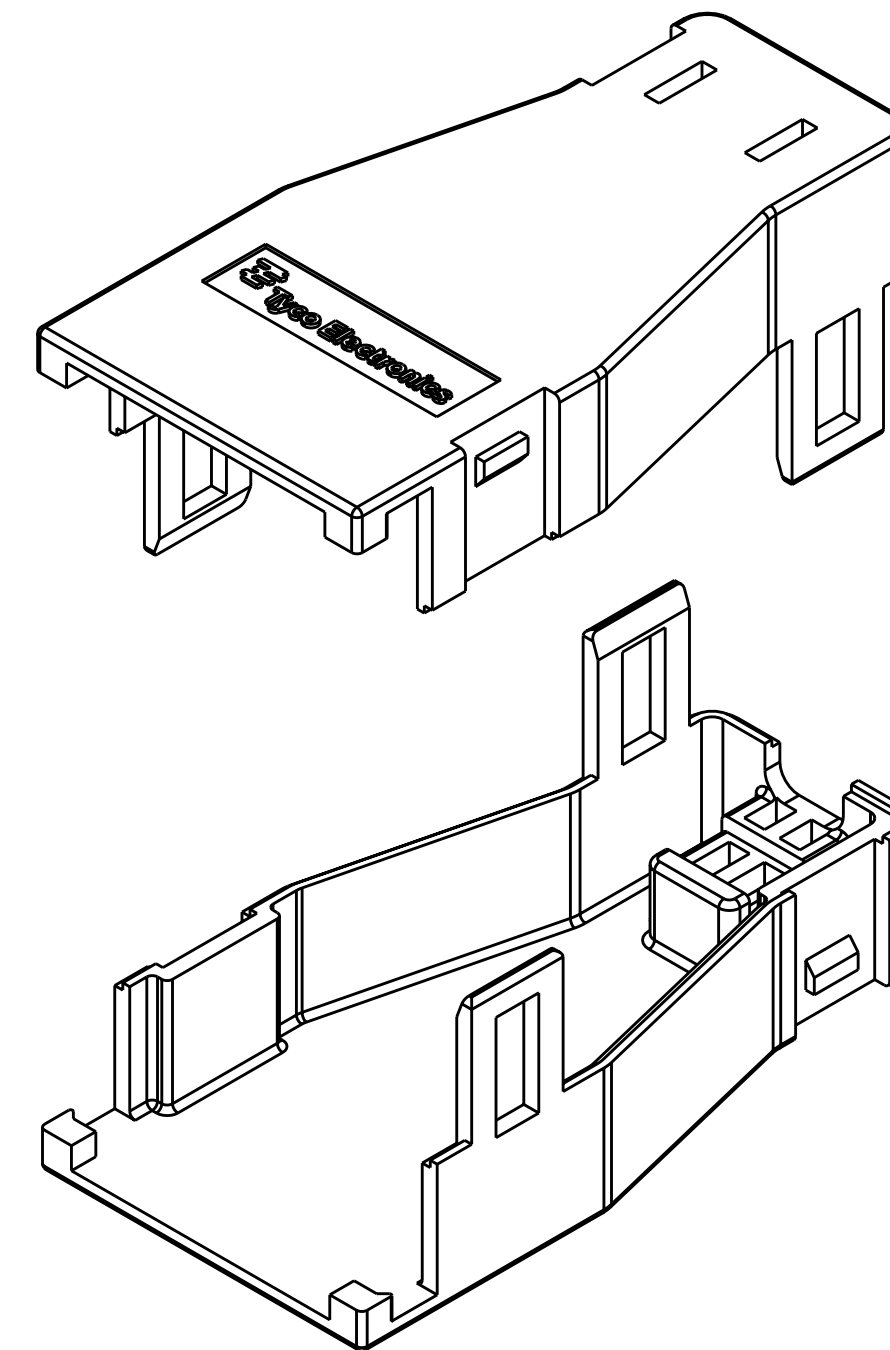
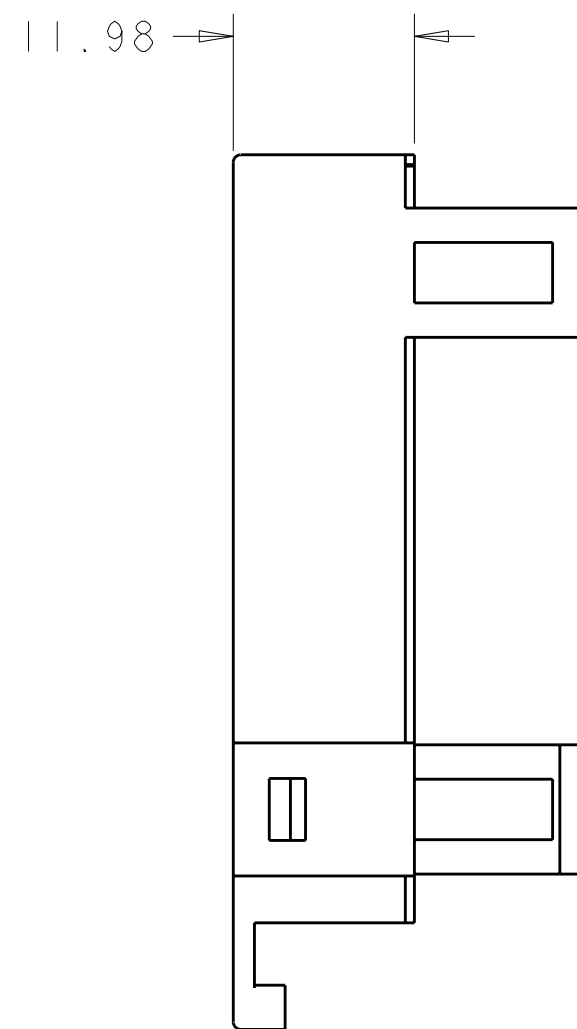
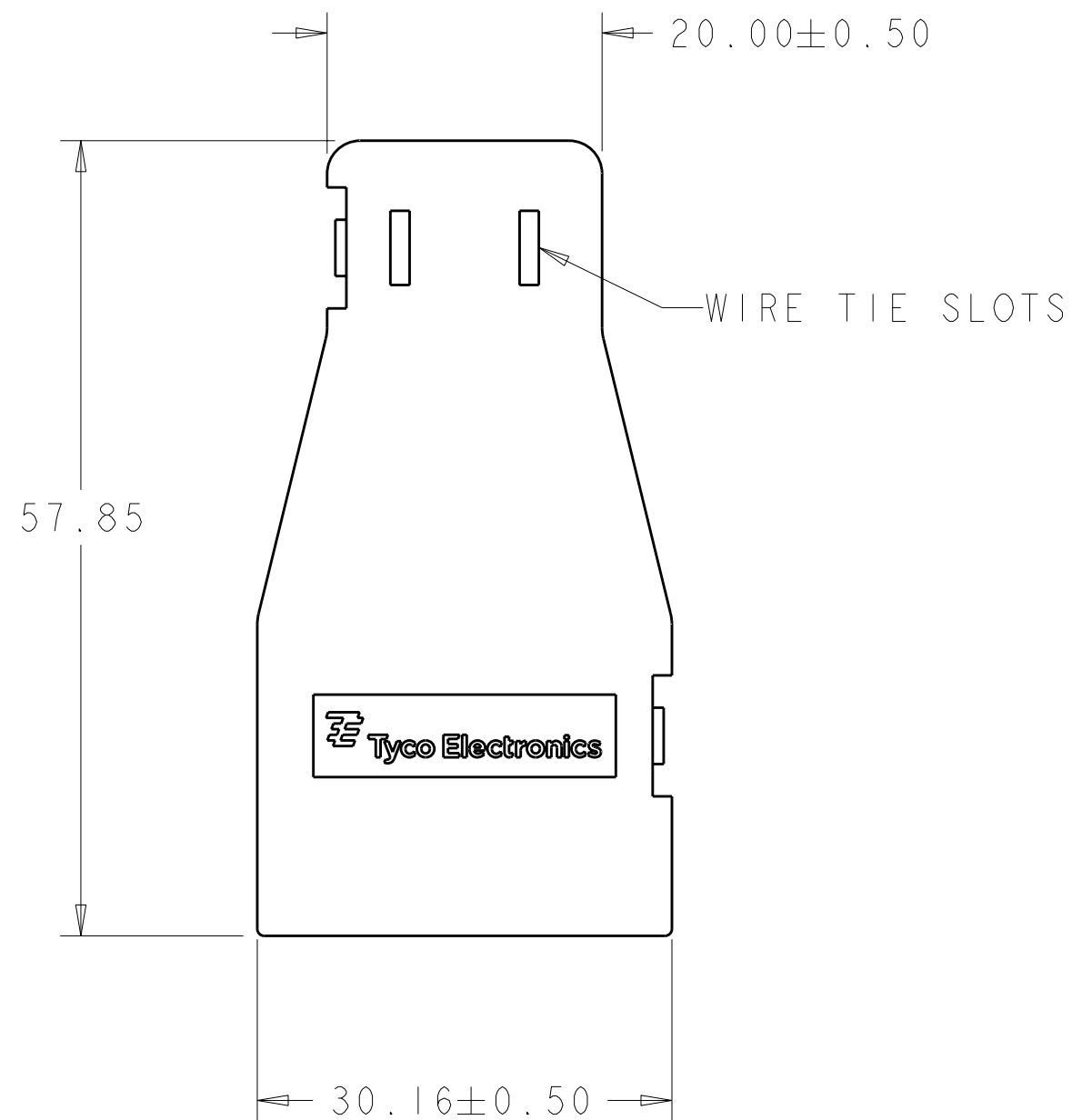
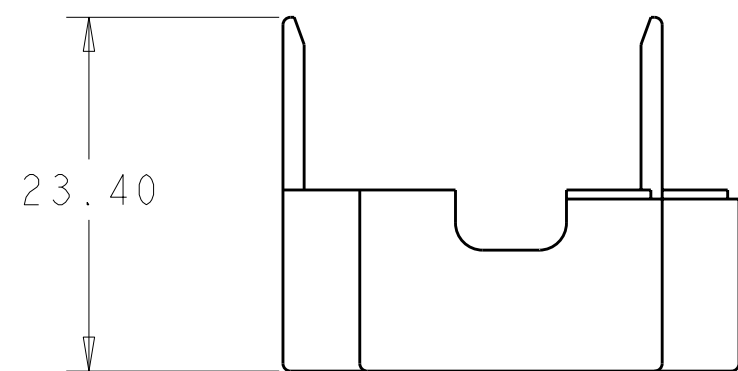


THIS DRAWING IS UNPUBLISHED. RELEASED FOR PUBLICATION 20
 © COPYRIGHT 20 BY TYCO ELECTRONICS CORPORATION. ALL RIGHTS RESERVED.

| LOC | | DIST | | REVISIONS | | | |
|-----|-----|-------------|-----------|-----------|------|--|--|
| P | LTR | DESCRIPTION | DATE | DWN | APVD | | |
| | A | RELEASED | 21SEP2007 | SW | GS | | |
| | | | | | | | |
| | | | | | | | |



1. POLYESTER, UL 94V-0 RATED, COLOR: BLACK.
2. PART CONSISTS OF TWO (2) UNASSEMBLED STRAIN RELIEF HALVES.
3. PARTS ARE BULK PACKED.
4. ACCOMODATES 10-16 AWG WIRE.
5. USED ON D5200 DYNAMIC RECEPTACLE HOUSING.

1986184-1
 PART NUMBER

| | | | | |
|---|--|-------------------------------------|---|------------------------|
| THIS DRAWING IS A CONTROLLED DOCUMENT FOR TYCO ELECTRONICS CORPORATION. IT IS SUBJECT TO CHANGE AND THE CONTROLLING ENGINEERING ORGANIZATION SHOULD BE CONTACTED FOR THE LATEST REVISION. | | DWN S. WELDON 24MAY2006 | Tyco Electronics Harrisburg, PA 17105-3608 | |
| DIMENSIONS: mm | | CHK G. STEINHAEUER 24MAY2006 | NAME STRAIN RELIEF, 4 POSITION, D5200 DYNAMIC | |
| TOLERANCES UNLESS OTHERWISE SPECIFIED: 0 PLC ± 1 PLC ±0.5 2 PLC ±0.13 3 PLC ±0.013 4 PLC ±0.0001 ANGLES ± FINISH | | APVD G. STEINHAEUER 24MAY2006 | RESTRICTED TO | |
| MATERIAL | | PRODUCT SPEC | SIZE A200779 | CAGE CODE C-1986184 |
| | | APPLICATION SPEC | DRAWING NO 1986184 | REV A |
| | | WEIGHT | SCALE 2:1 | SHEET 1 |
| | | CUSTOMER DRAWING | OF 1 | |