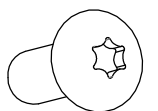
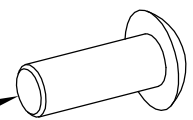
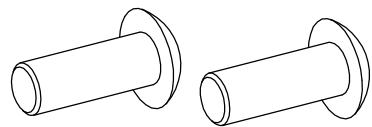
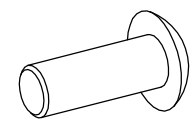
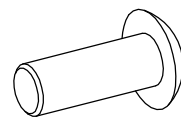
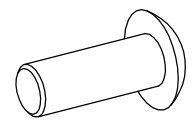
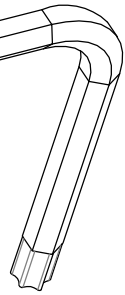
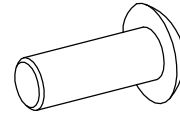
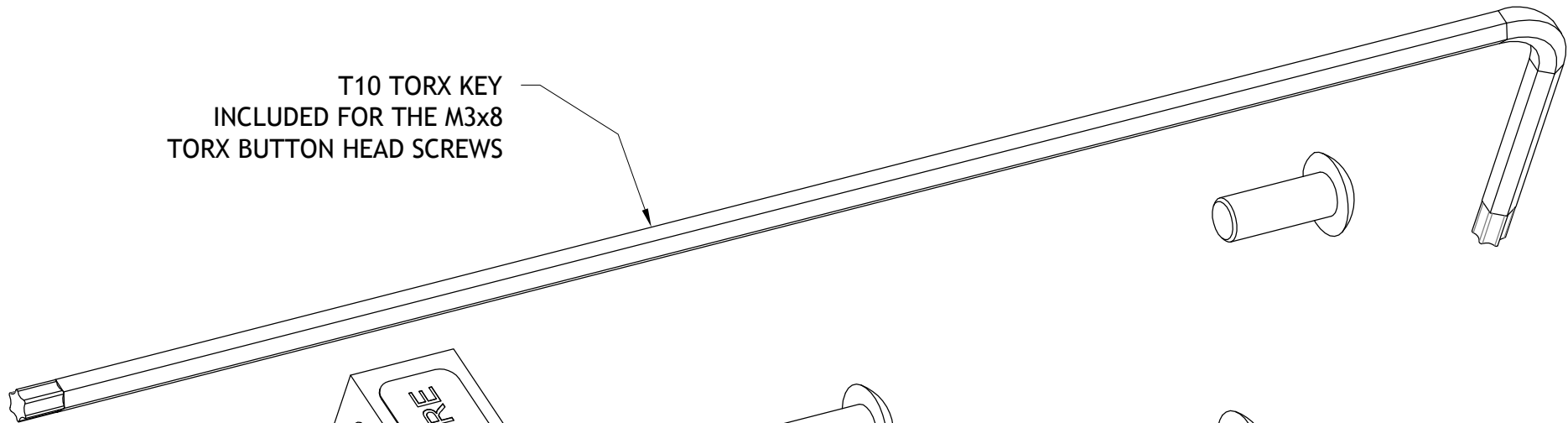
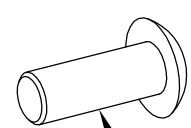


T10 TORX KEY
INCLUDED FOR THE M3x8
TORX BUTTON HEAD SCREWS



VIEW ON
ARROW "A"

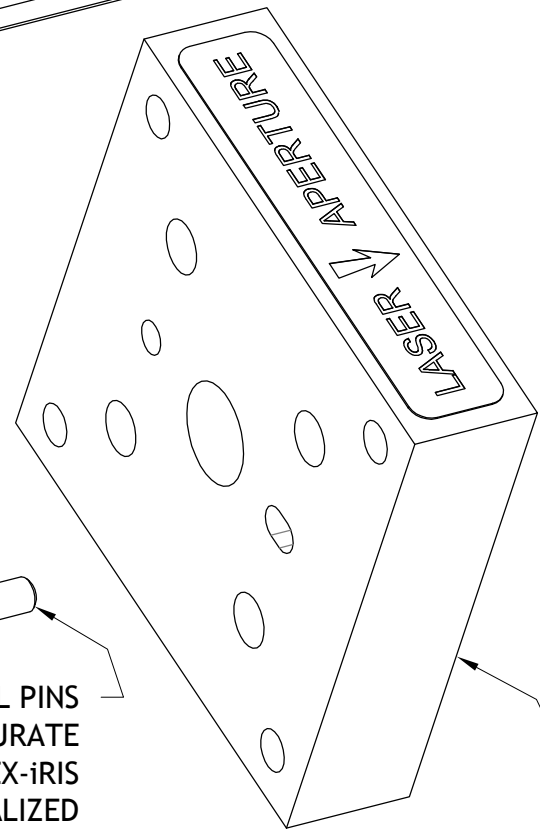


4 OFF M3x8 TORX BUTTON
HEAD SCREWS
INCLUDED FOR FIXING A
KINEMATIX-P2 MANIPULATOR
TO THE KINEMATIX
MOUNTING PLATE

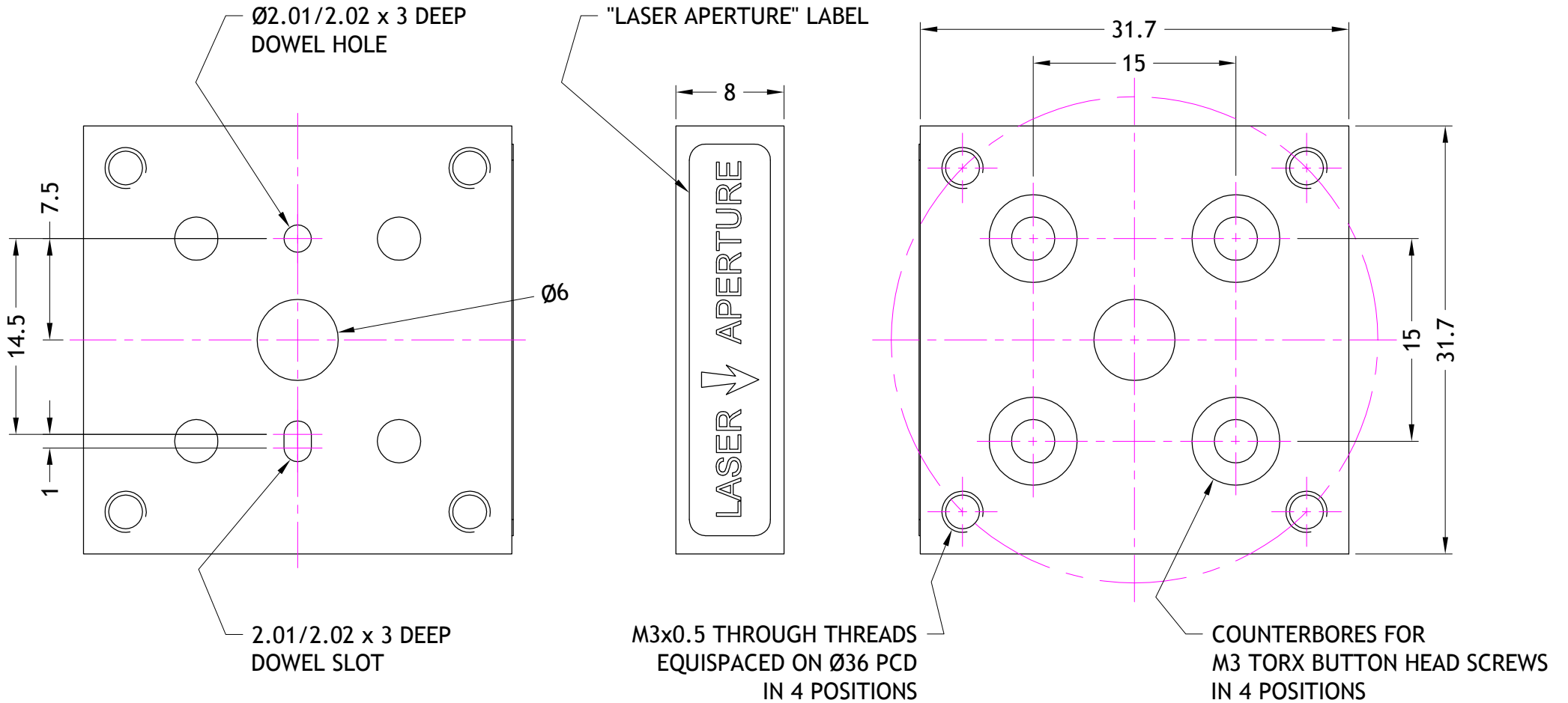
4 OFF M3x8 TORX BUTTON HEAD SCREWS
INCLUDED FOR FIXING THE KINEMATIX
MOUNTING PLATE TO AN iFLEX-iRIS LASER

kinEMATIX MOUNTING PLATE WITH
"LASER APERTURE" LABEL
(SEE SHEET 2 FOR DETAILS)

2 OFF Ø2x5 DOWEL PINS
INCLUDED FOR ACCURATE
MOUNTING ONTO iFLEX-iRIS
LASERS WITH CENTRALIZED
BEAM EXIT POSITION



DATE	ISS	DRN	CHKD	ECN	QIOPTIQ SENSITIVE	 Mitchell Point, Hamble SO31 4RF Tel: +44 (0)23 8074 4500 Fax: +44 (0)23 8074 4501 ©Copyright www.qioptiq.com	TITLE: CUSTOMER DRAWING OF 014681	
01/07/15	1	BJ	AJ	25308	THE CONTENTS OF THIS DOCUMENT ARE CONFIDENTIAL AND SHALL NOT BE DISCLOSED TO ANY THIRD PARTY WITHOUT THE PRIOR CONSENT OF QIOPTIQ PHOTONICS LTD		DRG.NO: CS014681	SHEET NO: 1/2



NOTES:

- 1) FOR MOUNTING A kineFLEX FIBER WITH kineMATIX-P2 MANIPULATOR ONTO AN iFLEX-iRIS LASER WITH CENTRALIZED BEAM EXIT POSITION
- 2) MOUNTING PLATE MATERIAL: ALUMINIUM ALLOY
- 3) MOUNTING PLATE FINISH: SILVER (CLEAR) ANODIZED

DATE	ISS	DRN	CHKD	ECN	QIOPTIQ SENSITIVE THE CONTENTS OF THIS DOCUMENT ARE CONFIDENTIAL AND SHALL NOT BE DISCLOSED TO ANY THIRD PARTY WITHOUT THE PRIOR CONSENT OF QIOPTIQ PHOTONICS LTD	 Mitchell Point, Hamble SO31 4RF Tel: +44 (0)23 8074 4500 Fax: +44 (0)23 8074 4501 ©Copyright www.qioptiq.com	TITLE: CUSTOMER DRAWING OF 014681	
01/07/15	1	BJ	AJ	25308			DRG.NO: CS014681	SHEET NO: 2/2