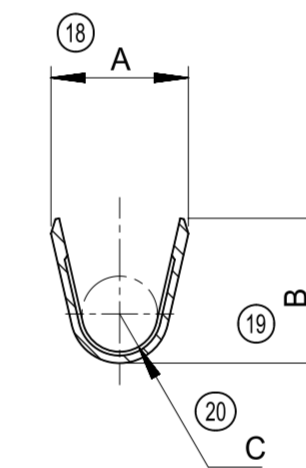
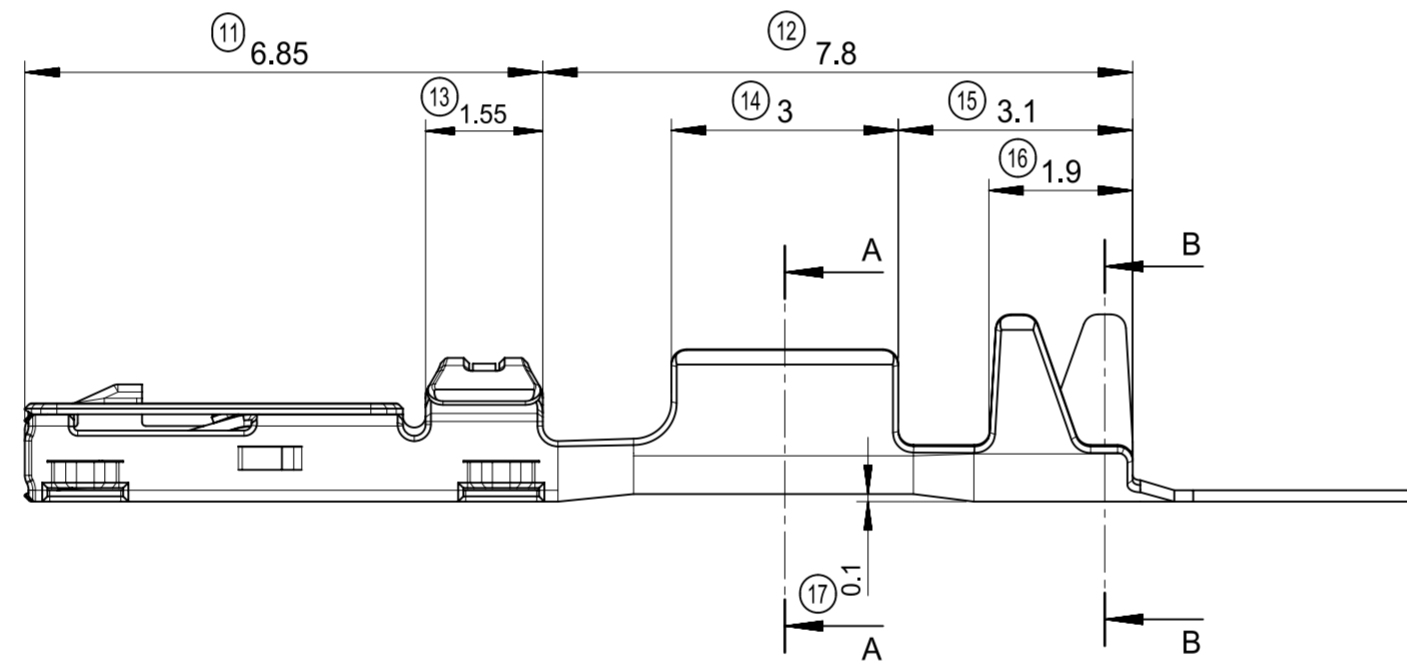
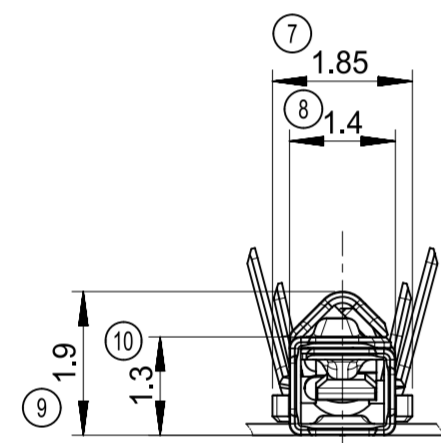


NOTES:

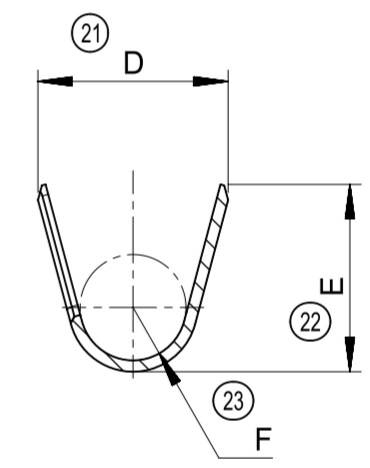
- 1. 材料：銅合金
- 2. めっき仕様：すずめっき
- 3. 最新の適用電線と仕様は、端子の圧着仕様書：AS-560121-001を参照すること

NOTES:

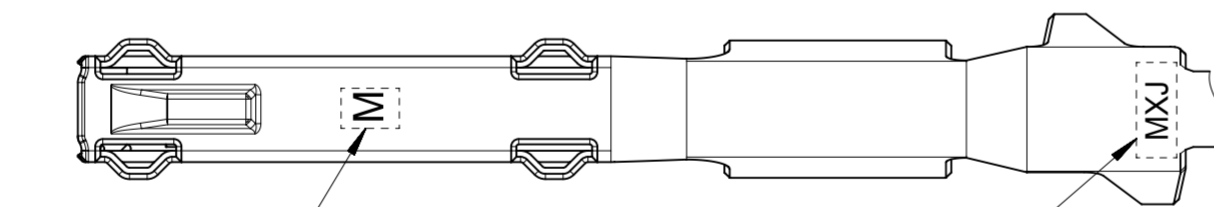
- 1. MATERIAL : COPPER ALLOY
- 2. PLATING SPECIFICATION : Tin PLATING
- 3. PLEASE CHECK THE TERMINAL CRIMPING SPECIFICATIONS : AS-560121-001 FOR THE LATEST APPLICABLE WIRES AND OTHER CRIMPING SPECIFICATION.



SECTION A-A



SECTION B-B



バレルサイズマーク  
GRIP CODE

ロゴマーク  
LOGO MARK

端子品番 PART NO.	バレル記号 GRIP CODE	適応電線 APPLICABLE WIRE SIZE		寸法 DIMENSION					
				A	B	C	D	E	F
560121-0102	M	AVSS, AVSSH, AESSX	0.3 - 0.5mm <sup>2</sup>	1.82	(1.91)	R0.5	2.51	(2.48)	R0.7
		CIVUS, FLRYW-B	0.35 - 0.5mm <sup>2</sup>						
		FLRY-B	0.5mm <sup>2</sup>						

THIS DRAWING CONTAINS INFORMATION THAT IS PROPRIETARY TO MOLEX ELECTRONIC TECHNOLOGIES, LLC AND SHOULD NOT BE USED WITHOUT WRITTEN PERMISSION

DIMENSION UNITS mm	SCALE 10:1	CURRENT REV DESC:	<b>molex</b>			
EC NO: 620314 DRWN: GABE 2019/07/04 CHK'D: TIIDA01 2019/07/17 APPR: TOSADA 2019/07/18						
INITIAL REVISION: DRWN: TIIDA01 2014/01/30 APPR: MAYAMAMOTO 2015/11/09			CTX-J 50 RECEPTACLE TERMINAL SEALED			
GENERAL TOLERANCES (UNLESS SPECIFIED)			PRODUCT CUSTOMER DRAWING			
10 UNDER ±0.3 10 OVER 30 UNDER ±0.4 30 OVER ±0.5 ANGULAR ±5°			DOCUMENT NUMBER <b>SD-560121-001</b>		DOC TYPE DOC PART REVISION PSD 001 B	
THIRD ANGLE PROJECTION			DRAWING <b>A2-SIZE</b>		MATERIAL NUMBER CUSTOMER GENERAL MARKET	
SERIES <b>560121</b>			SHEET NUMBER 1 OF 1		SHEET NUMBER 1 OF 1	

GENERAL TOLERANCES (UNLESS SPECIFIED)	
10 UNDER	±0.3
10 OVER 30 UNDER	±0.4
30 OVER	±0.5
ANGULAR	±5°