

NOTES:

1. MATERIALS AND FINISHES:

- BODY, BODY REAR - BRASS, NICKEL PLATING
- CONTACT - BRASS, GOLD PLATING
- INSULATOR - PTFE, NATURAL
- INSULATOR-REAR - ULTEM, NATURAL
- COUPLING NUT - BRASS, NICKEL PLATING
- CAP - BRASS, NICKEL PLATING
- FERRULE - SEAMLESS COPPER TUBE, NICKEL PLATING
- GASKET - SILICONE RUBBER, RED
- HEAT SHRINK TUBE - CROSSLINKED POLYOLEFIN, BLACK

2. ELECTRICAL:

- A. IMPEDANCE: 75 OHM
- B. FREQUENCY RANGE: DC - 18 GHz
- C. RETURN LOSS: -20 dB DC-6 GHz
-15 dB 6-12 GHz
- C. DIELECTRIC WITHSTANDING VOLTAGE: 1000 VRMS, MIN.

3. MECHANICAL:

- A. DURABILITY: 500 CYCLES MIN.
- B. TEMPERATURE RANGE: -40° C TO +85° C

4. PACKAGING:

- A. QUANTITY: SINGLE PACK
- B. MARKING: BAG TO BE MARKED
"AMPHENOL RF, 31-70549-12G, AND DATE CODE"

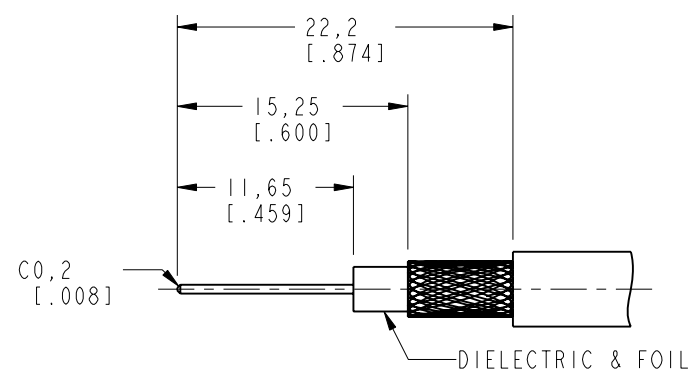
5. RECOMMENDED CABLE ASSEMBLY INSTRUCTIONS:

- A. TRIM CABLE AS SHOWN.
- B. SLIDE FERRULE ONTO CABLE.
- C. SLIDE INSULATOR-REAR ONTO CENTER CONDUCTOR IN THE ORIENTATION SHOWN.
- D. INSERT CABLE AND INSULATOR WITH FOIL ENTERING CONNECTOR AND BRAID OVER KNURL.
- E. SOLDER CONTACT TO CABLE CENTER CONDUCTOR.
- F. CRIMP FERRULE OVER BRAID WITH 0.213" HEX DIE.
- G. HEAT SHRINK TUBING SHOULD FULLY (360 DEG) COVER THE BUMP ON BODY AND END WITHIN AREA "A"

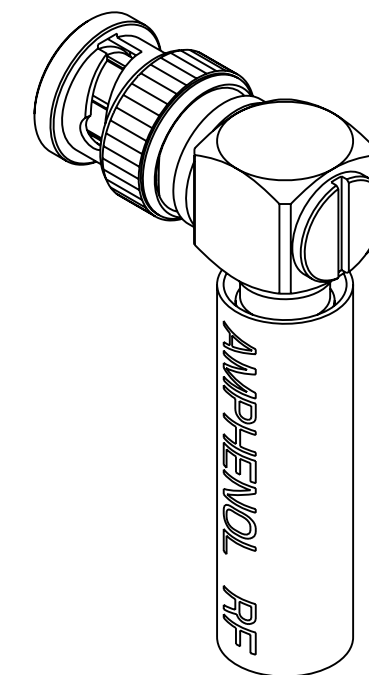
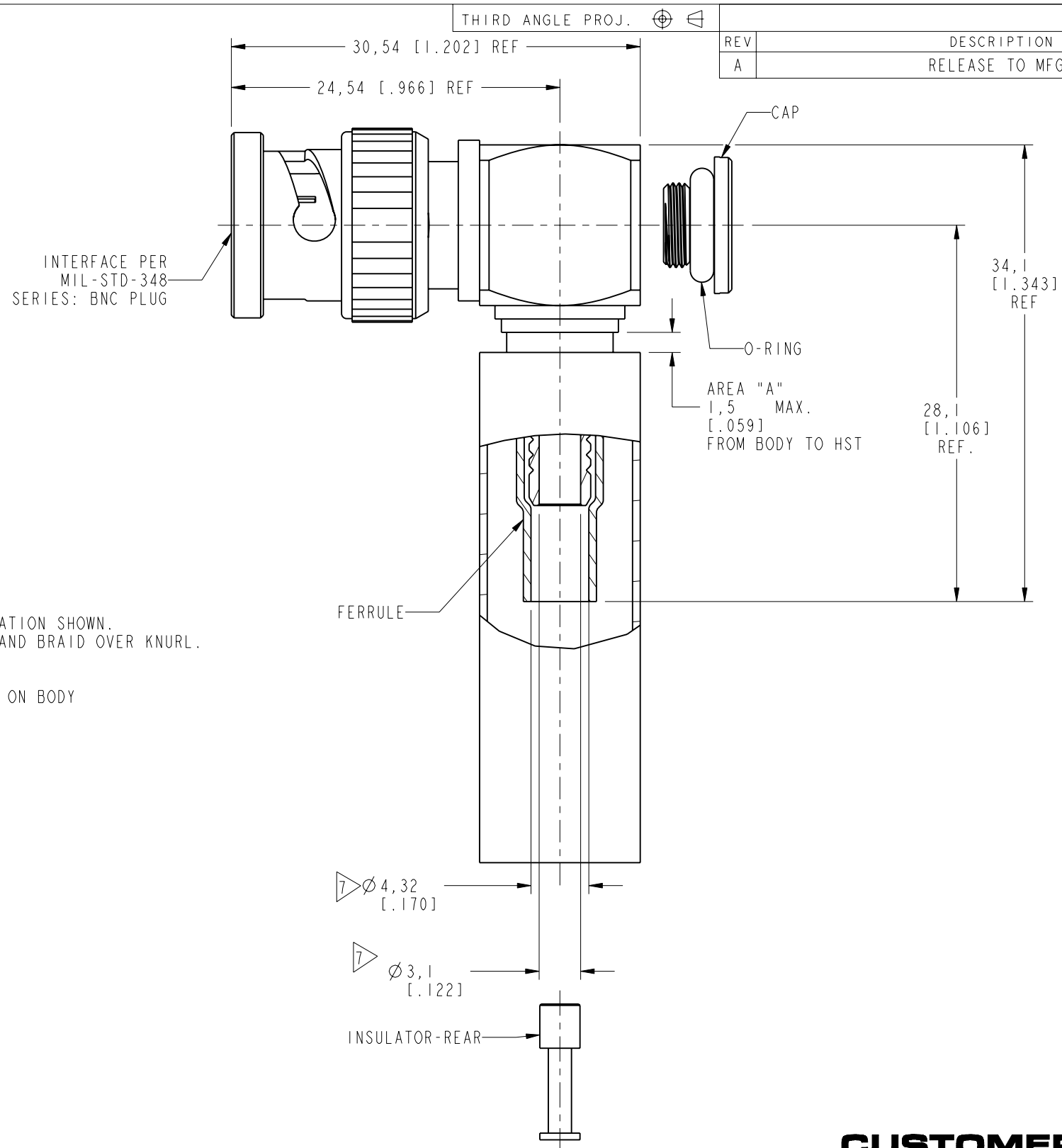
6. CAP ASSEMBLY INSTRUCTIONS:

- A. PLACE O-RING ON CAP AS SHOWN.
- B. ASSEMBLE CAP TO BODY WITH 16-32 IN-OZ TORQUE.

7. SHOWS CABLE ENTRY DIMENSIONS.



**RECOMMENDED
CABLE STRIPPING DIMENSIONS**



SCALE 1.500

CUSTOMER OUTLINE DRAWING
ALL OTHER SHEETS ARE FOR INTERNAL USE ONLY

UNLESS OTHERWISE SPECIFIED, DIMENSIONS ARE IN METRIC AND TOLERANCES ARE:
 <0.5mm ±0.05mm 0.5 - 6mm ±0.1mm 6 - 30mm ±0.2mm 30 - 120mm ±0.3mm ANGLES ±1°

NOTICE - These drawings, specifications, or other data (1) are, and remain the property of Amphenol corp. (2) must be returned upon request; and (3) are confidential and not to be disclosed to any person other than those to whom they are given by Amphenol Corp. the furnishing of these drawings, specifications, or other data by Amphenol Corp., or to any other person to anyone for any purpose is not to be regarded by implication or otherwise in any manner licensing, granting rights to permitting such holder or any other person to manufacture, use or sell any product, process or design, patented or otherwise, that may in any way be related to or disclosed by said drawings, specifications, or other data.

MATERIAL SEE NOTES	DRAWN W. ZENG	DATE 2-May-18	TITLE R/A BNC PLUG (BELDEN 4855R CABLE) IP-67 WHEN MATED	Amphenol RF www.amphenolrf.com
REFERENCE EAR# 8067	ENGINEER STAR	DATE 2-May-18	SCALE: 2.5:1.0 SHEET 2 OF 2	
REF: CONFIGURATION LEVEL: In Work	APPROVED S. HSIEH	DATE 7-May-18	DWG SIZE B	DRAWING NO. 31-70549-12G
FINISH			REV A	ITEM NO. 31-70549-12G
				PART NO. 31-70549-12G