

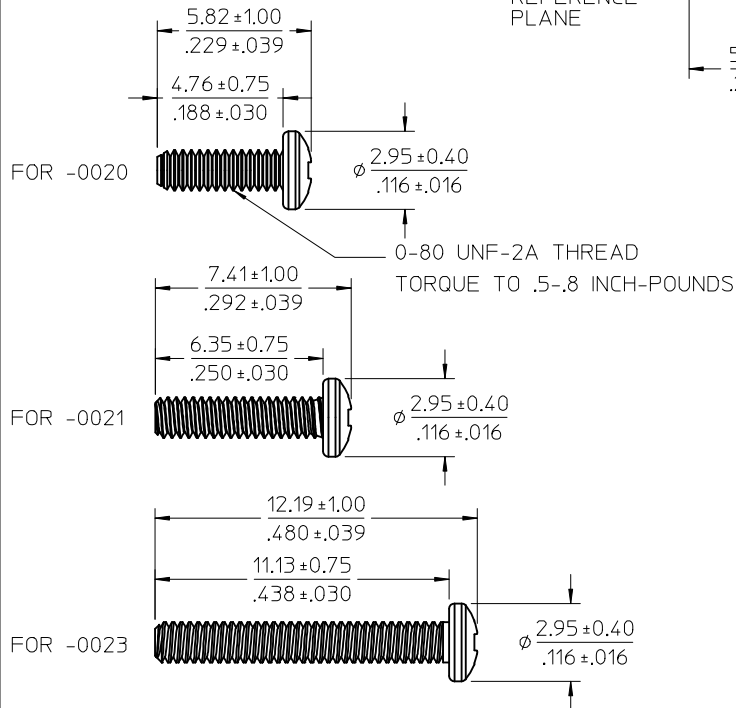
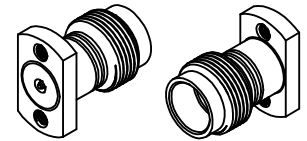
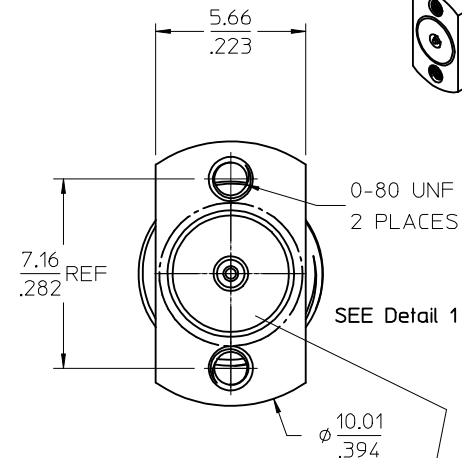
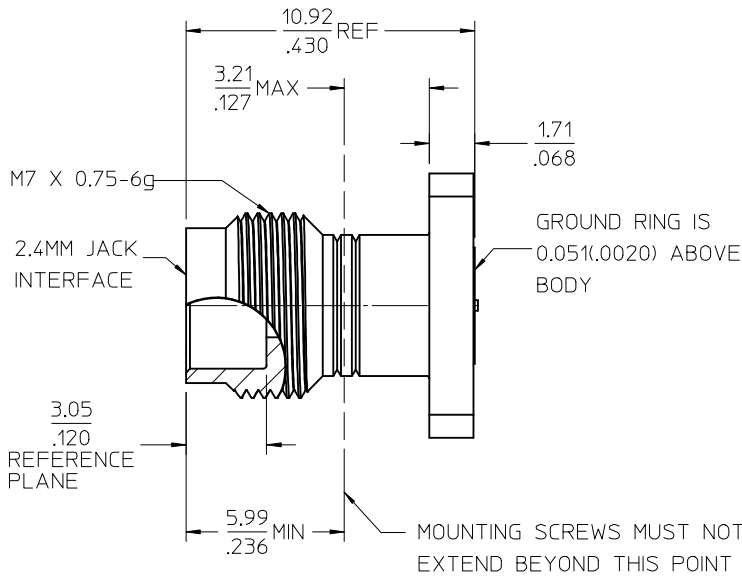
MATERIALS AND FINISHES:

BODY: STAINLESS STEEL
PASSIVATE

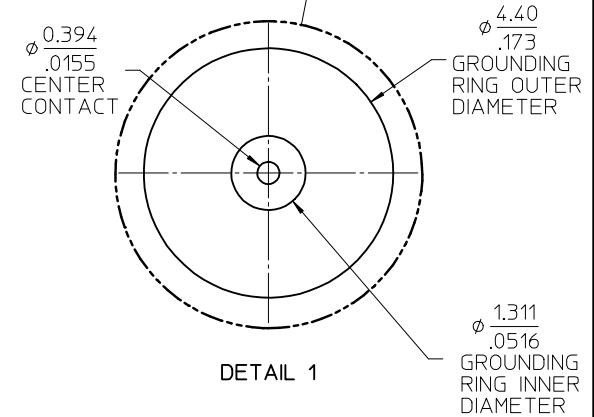
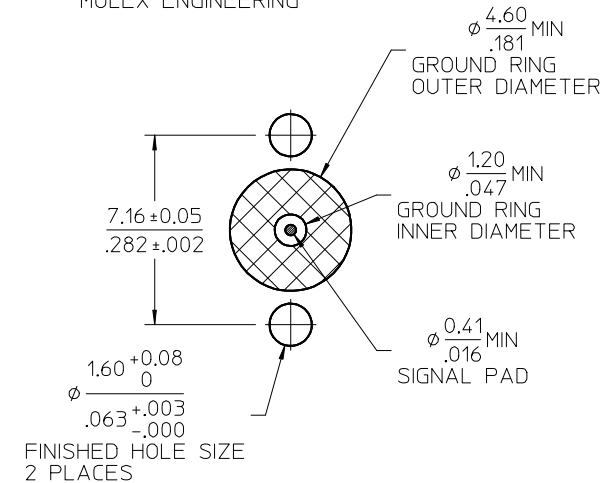
CENTER CONTACT: BERYLLIUM COPPER
PLATED: GOLD (30μ-in) MIN
OVER NICKEL (100μ-in) MIN.

INSULATOR: PTFE

SCREW: STEEL
PASSIVATE
SEE AS-89675-446 FOR INSTRUCTIONS ON
MOUNTING CONNECTOR ON A PCB



GENERAL PCB LAYOUT RECOMMENDATIONS
FOR OPTIMIZED LAYOUTS, CONTACT
MOLEX ENGINEERING



73387-0023	WITH TWO 11.1/438 SCREWS	6.40(.252) TO 8.94(.352)
73387-0022	SCREWS NOT INCLUDED	N/A
73387-0021	WITH TWO 6.35/.25 SCREWS	1.96(.077) TO 3.99(.157)
73387-0020	WITH TWO 4.76/.19 SCREWS	0.56(.022) TO 2.54(.100)
PART NO.	DESCRIPTION	PCB THICKNESS

MIL-STD-348B, FIG 72	INTERFACE
SPECIFICATION	DESCRIPTION

CHG: DRW VIEW UPD, ADD GEN TOL VALUE & DIA FOR C'SINK HOLES ON BODY. EC NO: URF2016-0157 DRWIN:APRAKASHU1 2015/09/02 CHKD:LLM 2015/09/02 APPR:AROBERTSON 2015/09/15	QUALITY SYMBOLS ▽=0 ▽=0	GENERAL TOLERANCES (UNLESS SPECIFIED) 4 PLACES ± --- ± --- 3 PLACES ± --- ± 0.010 2 PLACES ± 0.25 ± --- 1 PLACE ± --- ± --- ANGULAR ± 2 °	DIMENSION STYLE MM/IN DRAWN BY: JLEE02 DATE: 2010/04/20 CHECKED BY: SSS DATE: 2010/04/20 APPROVED BY: JW IENER DATE: 2010/10/27	SCALE: METRIC DESIGN UNITS: METRIC THIRD ANGLE PROJECTION	TITLE: 2.4MM JACK VERTICAL PCB 50 OHM, COMPRESSION EWR-4172, 2.4MM-JR/PCB MOLEX MOLEX INCORPORATED
	DRAFT WHERE APPLICABLE MUST REMAIN WITHIN DIMENSIONS	MATERIAL NO. SEE TABLE SIZE: C THIS DRAWING CONTAINS INFORMATION THAT IS PROPRIETARY TO MOLEX INCORPORATED AND SHOULD NOT BE USED WITHOUT WRITTEN PERMISSION	DOCUMENT NO. SD-73387-002 SHEET NO. 1 OF 1		