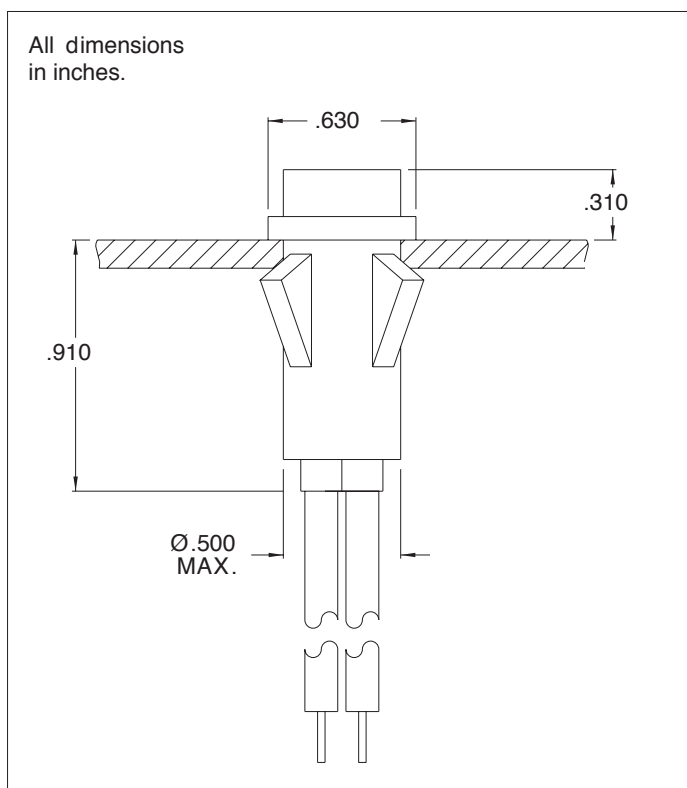




# 1050C, 1051C, 1052C, 1053C and 1090C Series Non-Relampable Incandescent Indicator Lights



**Mounting:** Will snap-fit into Ø.500”/.505” hole in panels .020”/.100” thick. Push-on speednut SN0461 also available.

**Wire Leads:** No. 22 AWG PVC (105°C) 4.40”/4.80” long, stripped .430”/.570”

**Lens:** Nylon on model 1050C1, 1050C3, 1050C4, 1050E86, 1050J49, 1051C1, 1051C3, 1051C3\_06, 1051C4.

Polycarbonate on all other models.

**Bezel:** Polished stainless steel.

**Housing:** White Nylon

Underwriters Laboratories (UL) File No.E20356

Notes:

- 1) Incorporates G2B lamp and resistor
- 2) Wire Lead: No. 22 AWG Solid
- 3) Lead Color: Black (8” long and stripped .430”/.570”)
- 4) Wire Lead: No. 20 AWG PVC (105°C) - 14” long, stripped 1/4”
- 5) Wire Lead: 7 3/4” long, stripped .430”/.570”
- 6) Wire Lead: 6” long, stripped .430”/.570”

Lens Color	Neon		Incandescent	
	Model No. (105 -125VAC)	Model No. (208-250V)	Model No. (12V)	Model No. (28V)
Red	1050C1 / 1050E86 <sup>2</sup>	1051C1 / 1050J49 <sup>3</sup>	1090C1-12V	1090C1-28V
Clear	1050C2	-	-	-
Amber	1050C3	1051C3 / 1051C3_06 <sup>6</sup>	1090C3-12V	1090C3-28V
White	1050C4	1051C4	1090C4-12V	1090C4-28V
Green	1052C5 <sup>1</sup> / 1050R48 <sup>1,4</sup>	1053C5 <sup>1</sup> / 1050R92 <sup>1,5</sup>	1090C5-12V	1090C5-28V
Lamp used	C2A+Resistor	C2A+Resistor	#2162	#2187
Lead Color	Black	One Black/One Red	Yellow	Purple

## Compliance & Approvals

