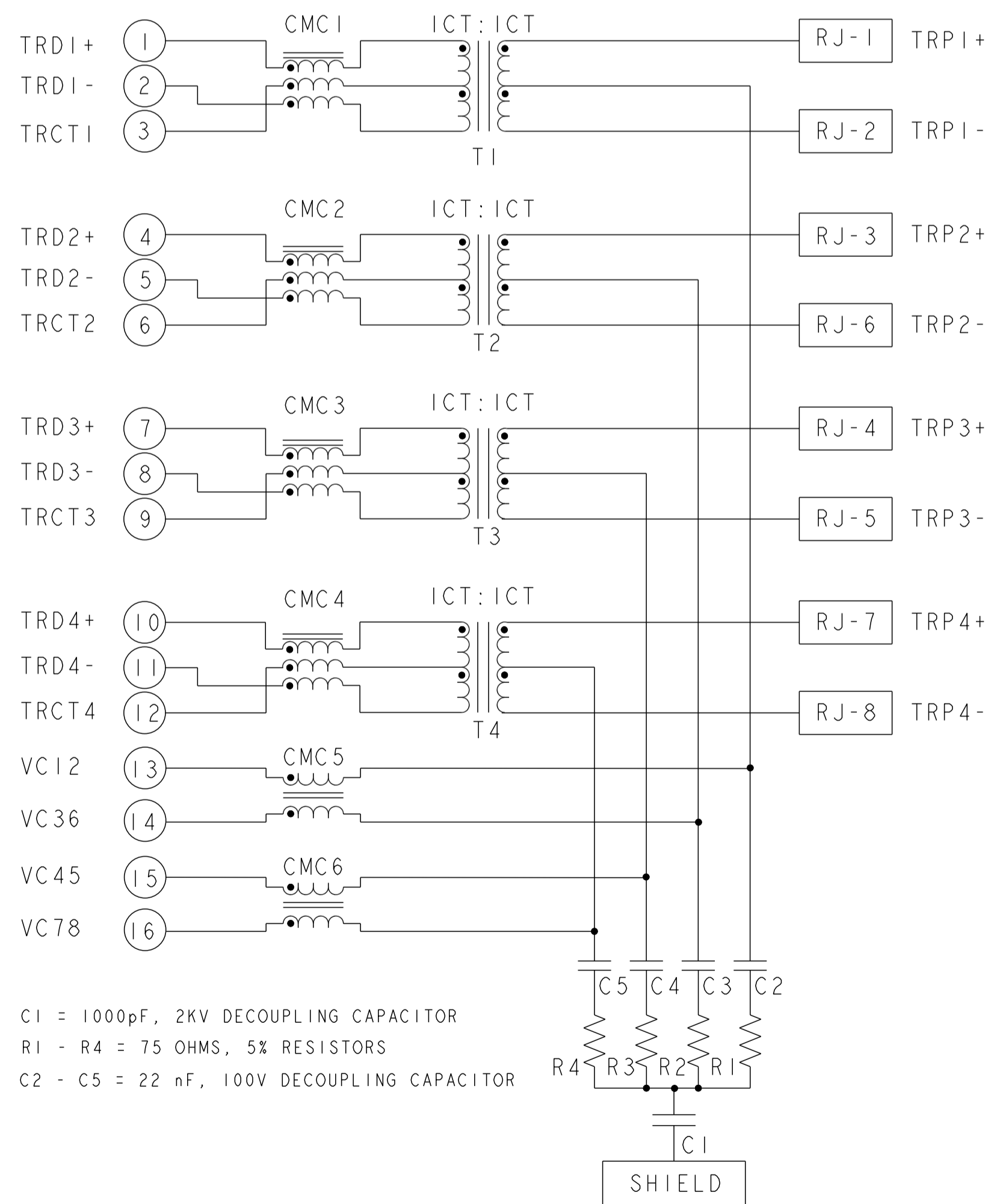


S9UTG04ET 10 GIGABIT 100W 4PPOE CIRCUIT

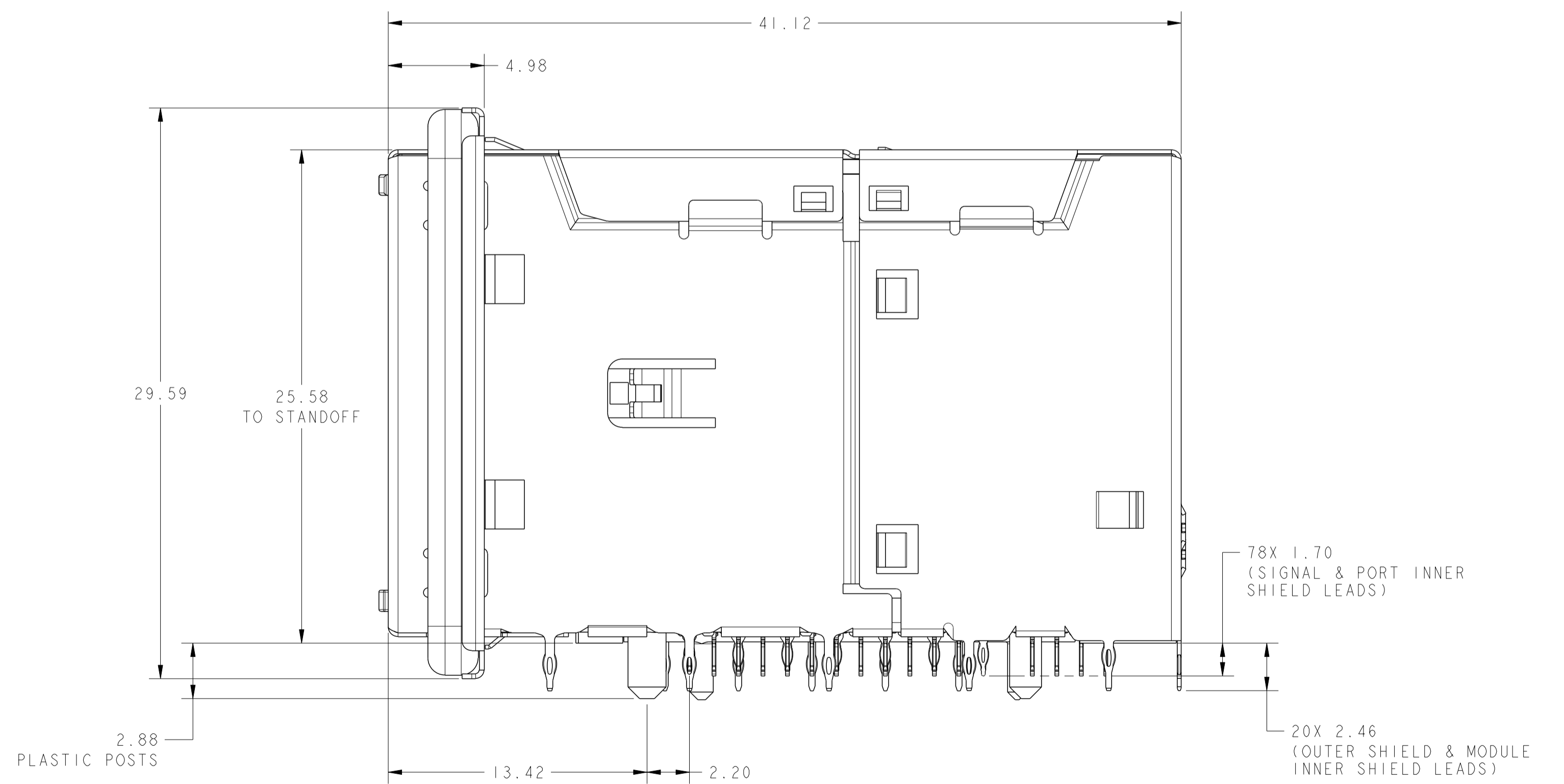
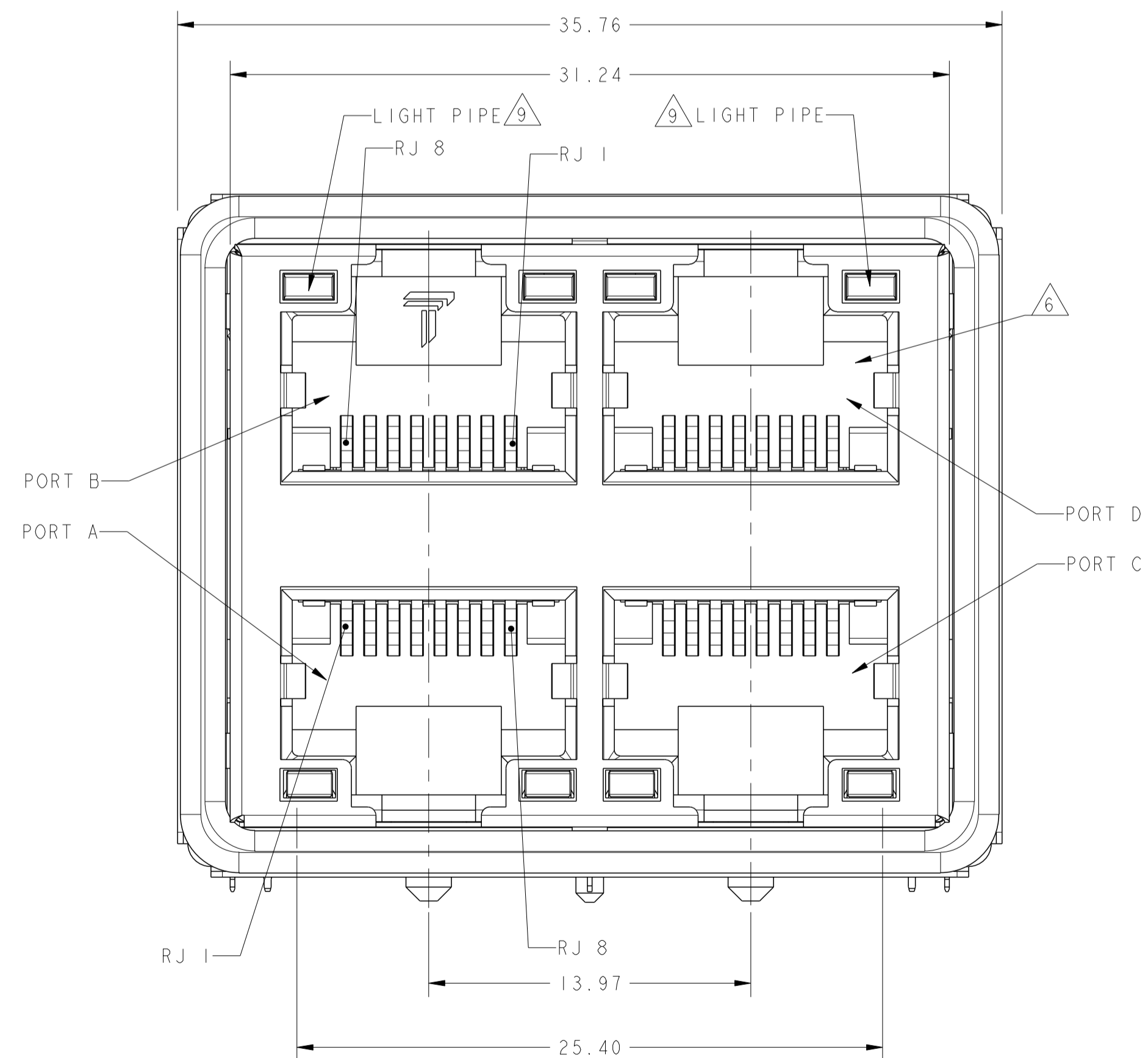
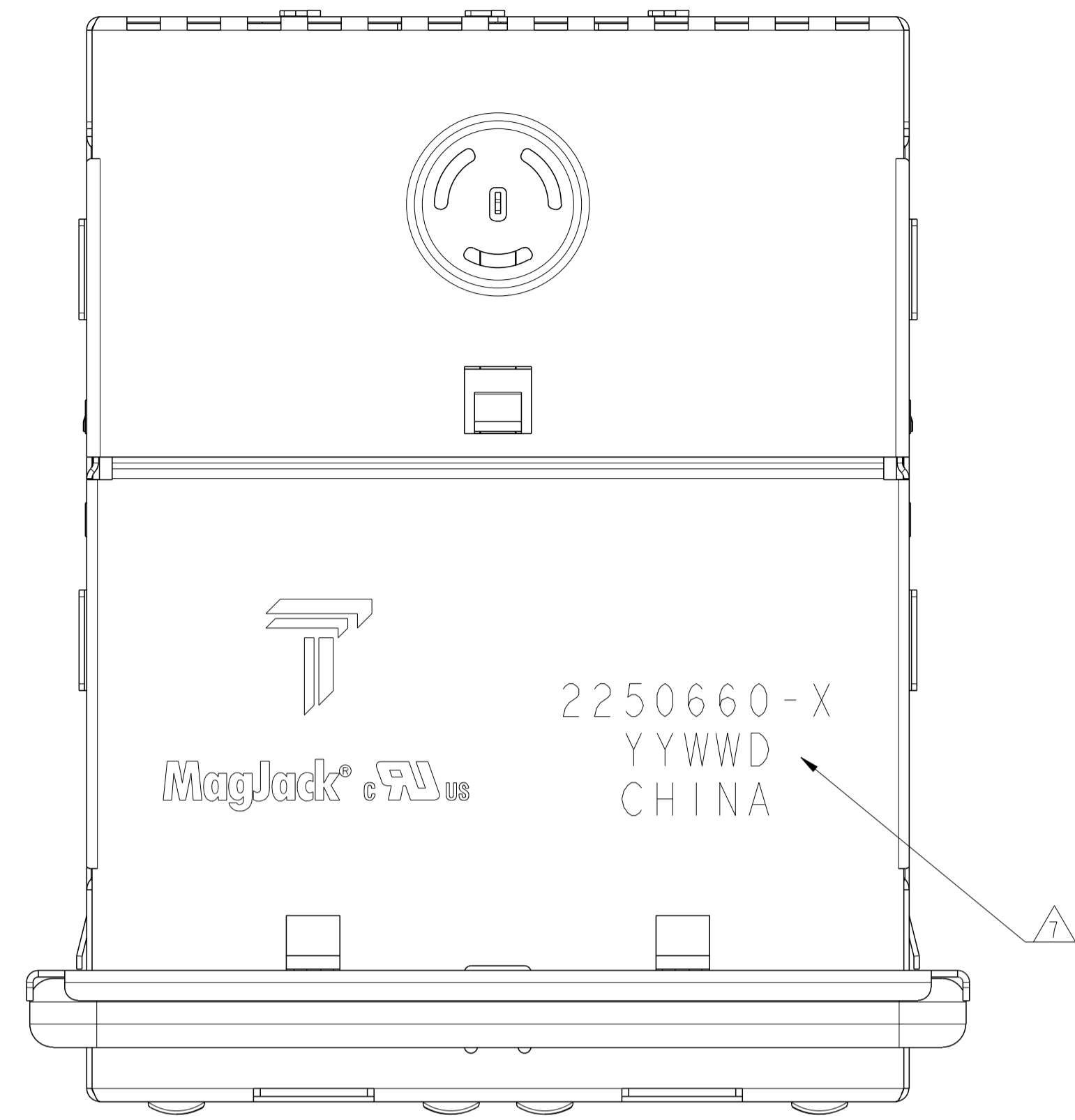


1. MATERIALS
 HOUSING: THERMOPLASTIC, BLACK, FLAMMABILITY RATING UL 94V-0
 SHIELD: NICKEL OR TIN PLATED ON COPPER ALLOY
 COMPLIANT PIN: PHOSPHOR BRONZE, PLATED WITH 2.54um MIN MATTE TIN OVER 1.27um MIN NICKEL
 CONTACT: PHOSPHOR BRONZE, WITH 1.27um MIN OVERALL NICKEL UNDERPLATE AND SELECTIVE 1.27um MIN GOLD PLATING AT MATING INTERFACE

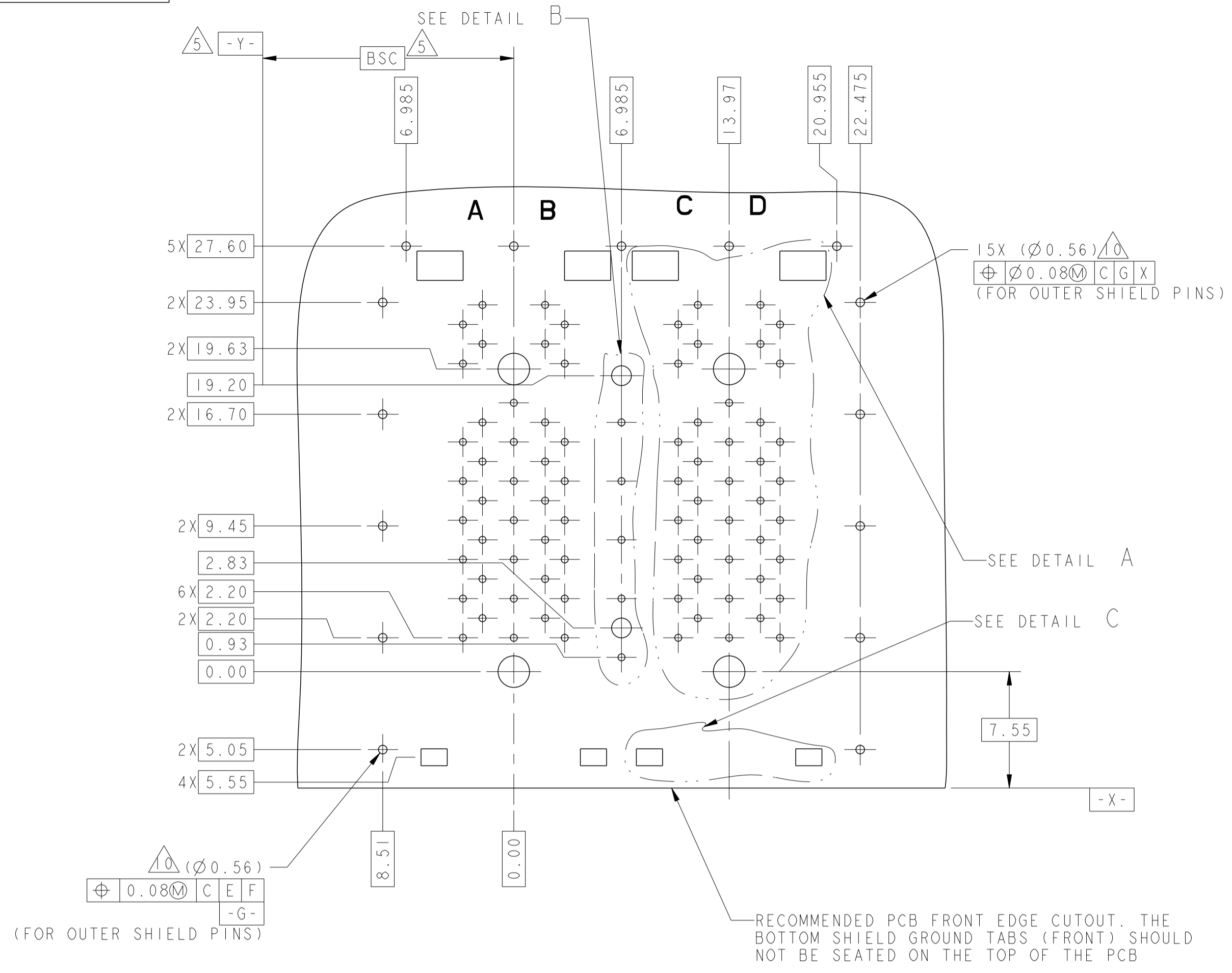
2. MAGNETICS
 - APPLICATION: 1G/2.5G/5G/10G BASE-T, 4PPoE EXTENDED TEMPERATURE
 - IMPEDANCE: 100 OHMS
 - TURNS RATIO (CHIP:CABLE): 1:1 ALL FOUR PAIRS
 - OPEN CIRCUIT INDUCTANCE (OCL): 160uH MIN @ 100kHz, 0.1VRMS, 8mA DC BIAS, ALL FOUR PAIRS. 120uH MIN @ 100kHz, 0.1VRMS, 23mA DC BIAS, ALL FOUR PAIRS.
 - ALL FOUR PAIRS BI-DIRECTIONAL
 - PoE CURRENT: 1A DC MAX FOR ONE PAIR
 - PERFORMANCE @ 25°C (WHERE f IS FREQUENCY IN MHZ)
 (a) INSERTION LOSS (IL):
 1 MHZ TO 400 MHZ -0.5-1.3*(f-1)/400 dB MIN
 (b) RETURN LOSS (RL):
 1 MHZ TO 100 MHZ -17 dB MAX
 100 MHZ TO 500 MHZ -17 + 20.75LOG10(f/100) dB MAX
 (c) CROSSTALK ATTENUATION:
 1 MHZ TO 500 MHZ -20 dB MAX
 (d) COMMON MODE REJECTION:
 1 MHZ TO 500 MHZ -16 dB MAX
 - ISOLATION VOLTAGE: 2250VDC FOR 60 SECONDS WITH A RISE TIME OF 500V/SEC, WITH ALL PORTS CONNECTED.
3. THE MAGNETIC CIRCUIT ON ALL FOUR CHANNELS IS SYMMETRICAL AND SUPPORTS AUTO-MDIX OPERATION.
4. OPERATING TEMPERATURE: -40°C - 85°C.
5. DATUM Y AND BASIC DIMENSION ESTABLISHED BY CUSTOMER.
6. RJ45 CAVITY CONFORMS TO FCC RULES AND REGULATION PART 68 SUBPART F.
7. TRP CONNECTOR LOGO, PART NUMBER, DATE CODE, COUNTRY OF ORIGIN, AGENCY APPROVAL MARKING IN APPROPRIATE LOCATION SHOWN.
 DATE CODE: YYWW WHERE "YY" IS YEAR, "WW" IS WORK WEEK, "D" IS DAY OF WEEK, WITH SUNDAY= 1
8. PANEL SEATING LOCATION WITH RESPECT TO CUSTOMER PCB EDGE.
9. THE FINISHED GOODS IS WITHOUT SMD LED, THE SMD LED IS PROVIDED BY CUSTOMER HERSELF, AND THE SMD LED IS MOUNTED ON CUSTOMER PCB.
10. FOR HOLE SIZE AND PLATINGS, SEE SHEET 4.

2250660-1
 PART NUMBER

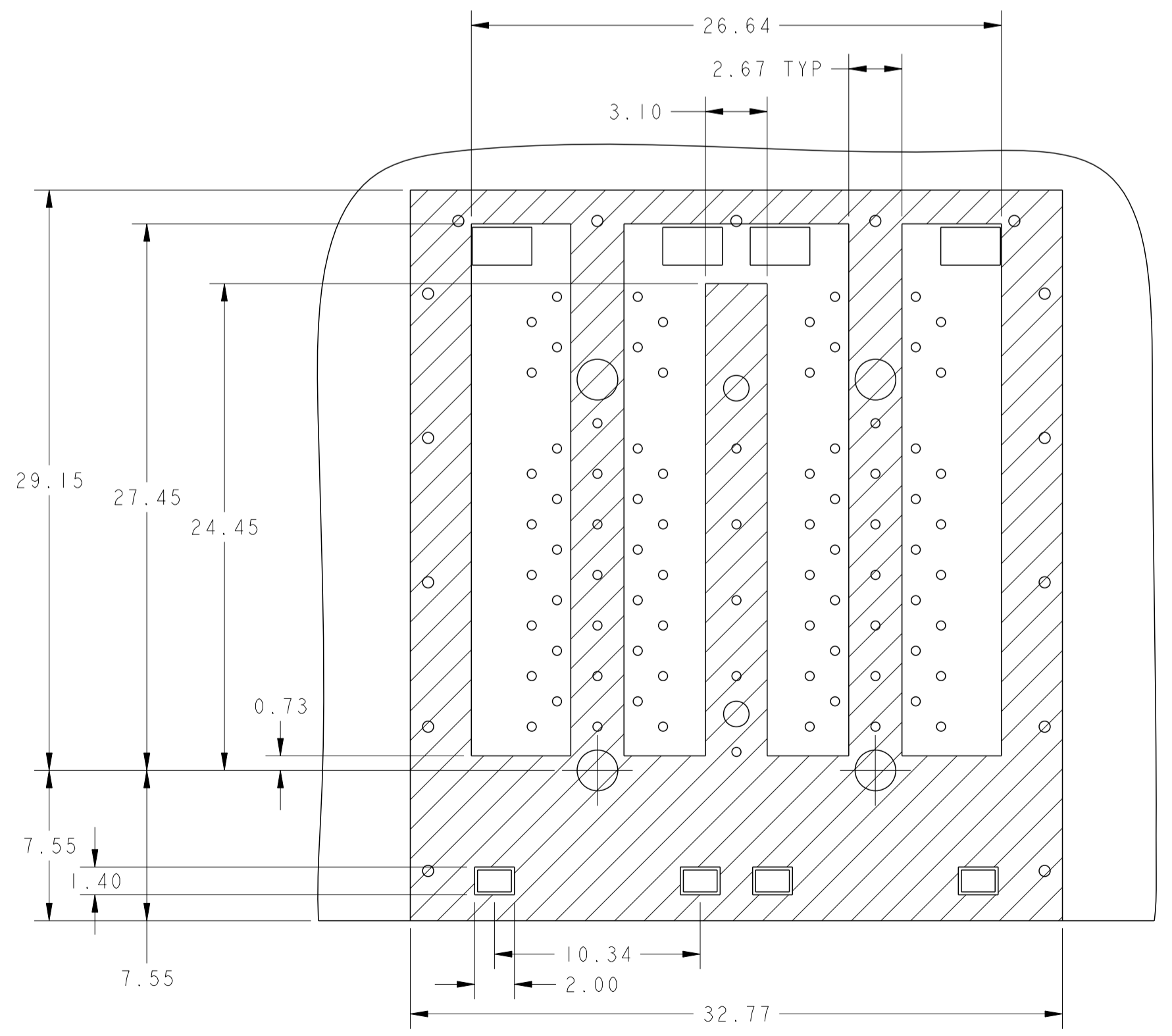
THIS DRAWING IS A CONTROLLED DOCUMENT AND COMPLIANT TO ASME Y14.5M		DWN: JARRY YE / 16 JUL 2019 CHK: TOWER YU / BILL LIU / 16 JUL 2019 APVD: TONY YUAN / 16 JUL 2019	DONGGUAN CHINA
DIMENSIONS: mm 	TOLERANCES UNLESS OTHERWISE SPECIFIED: 0 PLC ±0.25 1 PLC ±0.25 2 PLC ±0.25 3 PLC ±0.25 4 PLC ±0.25 ANGLES ±° APPLICATION SPEC ±°	MODEL NAME: MAGJACK STACK 4PPoE DESC: 2X2, S9UTG04ET 10G 100W 4PPoE WITH LIGHT PIPE SIZE: A1 CAGE CODE: C=2250660 DRAWING NO: 108-104004	



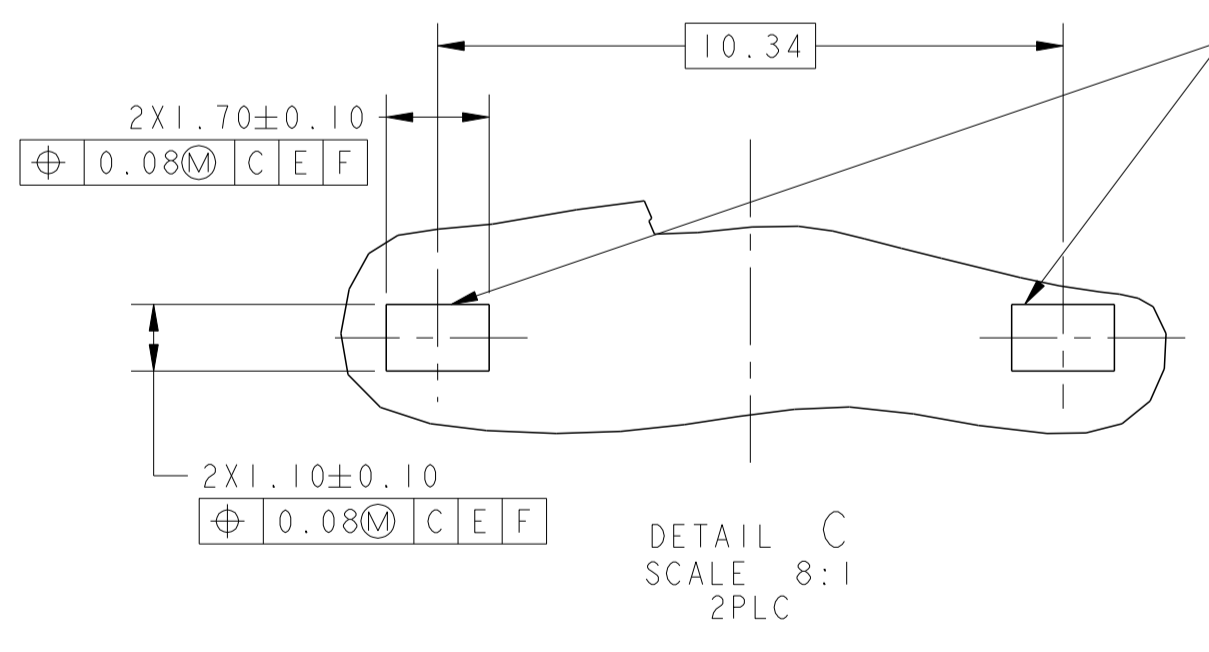
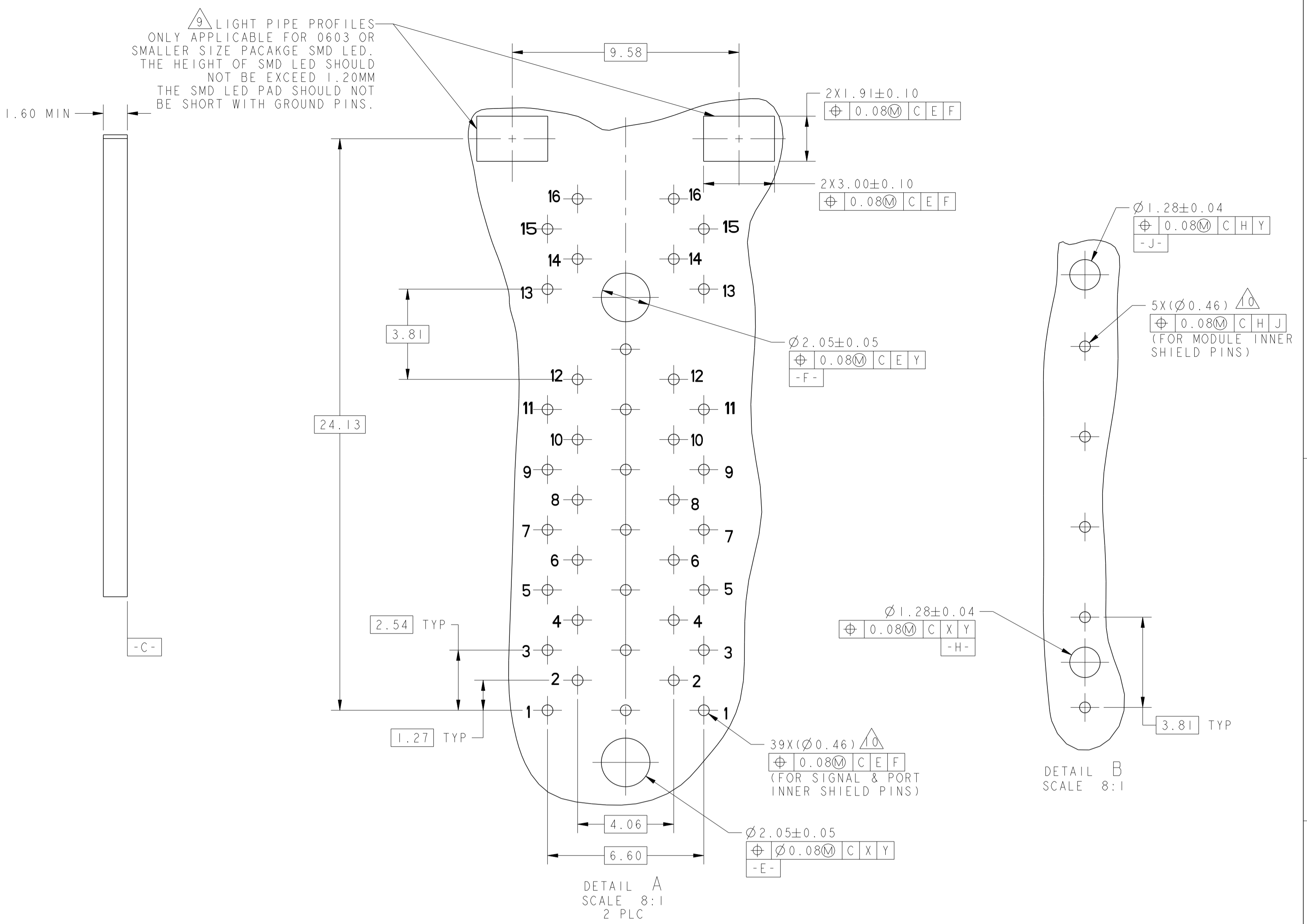
THIS DRAWING IS A CONTROLLED DOCUMENT. AND COMPLIANT TO ASME Y14.5M		DWG: JARRY YE / 16 JUL 2019 CHK: TOWER YU / BILL LIU / 16 JUL 2019 APVD: TONY YUAN / 16 JUL 2019	DONGGUAN CHINA
DIMENSIONS: mm 0 PLC ±0.25 1 PLC ±0.25 2 PLC ±0.25 3 PLC ±0.25 4 PLC ±0.25 ANGLES ±°	TOLERANCES UNLESS OTHERWISE SPECIFIED: APPLICATION SPEC	MODEL NAME: MAGJACK STACK 4PPoE	
PRODUCT SPEC: 108-104004		CUSTOMER DRAWING SCALE: NTS SHEET: 2 OF 6 REV: 2	



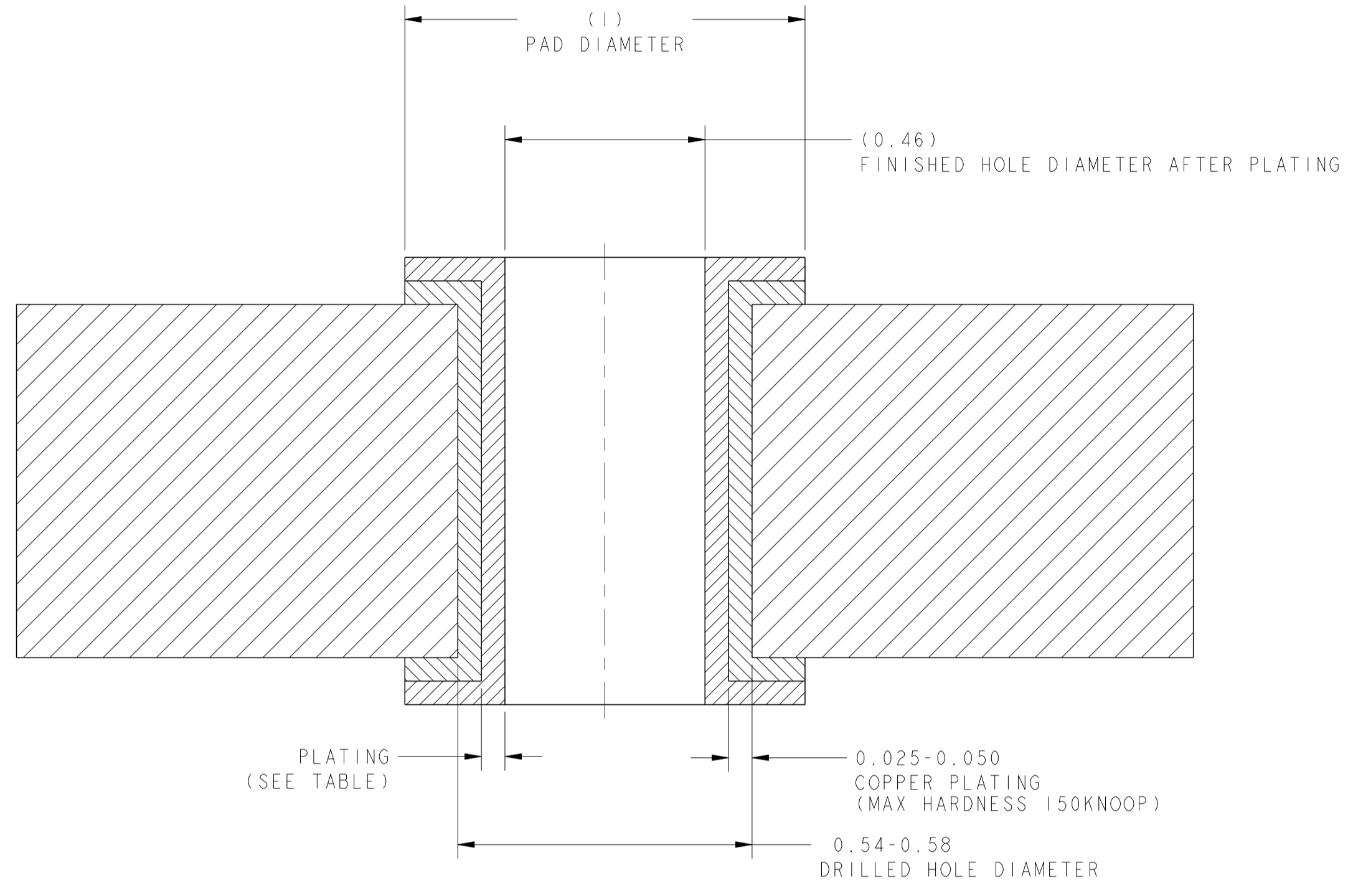
**RECOMMENDED PC BOARD LAYOUT
 (VIEW FROM COMPONENT SIDE)**



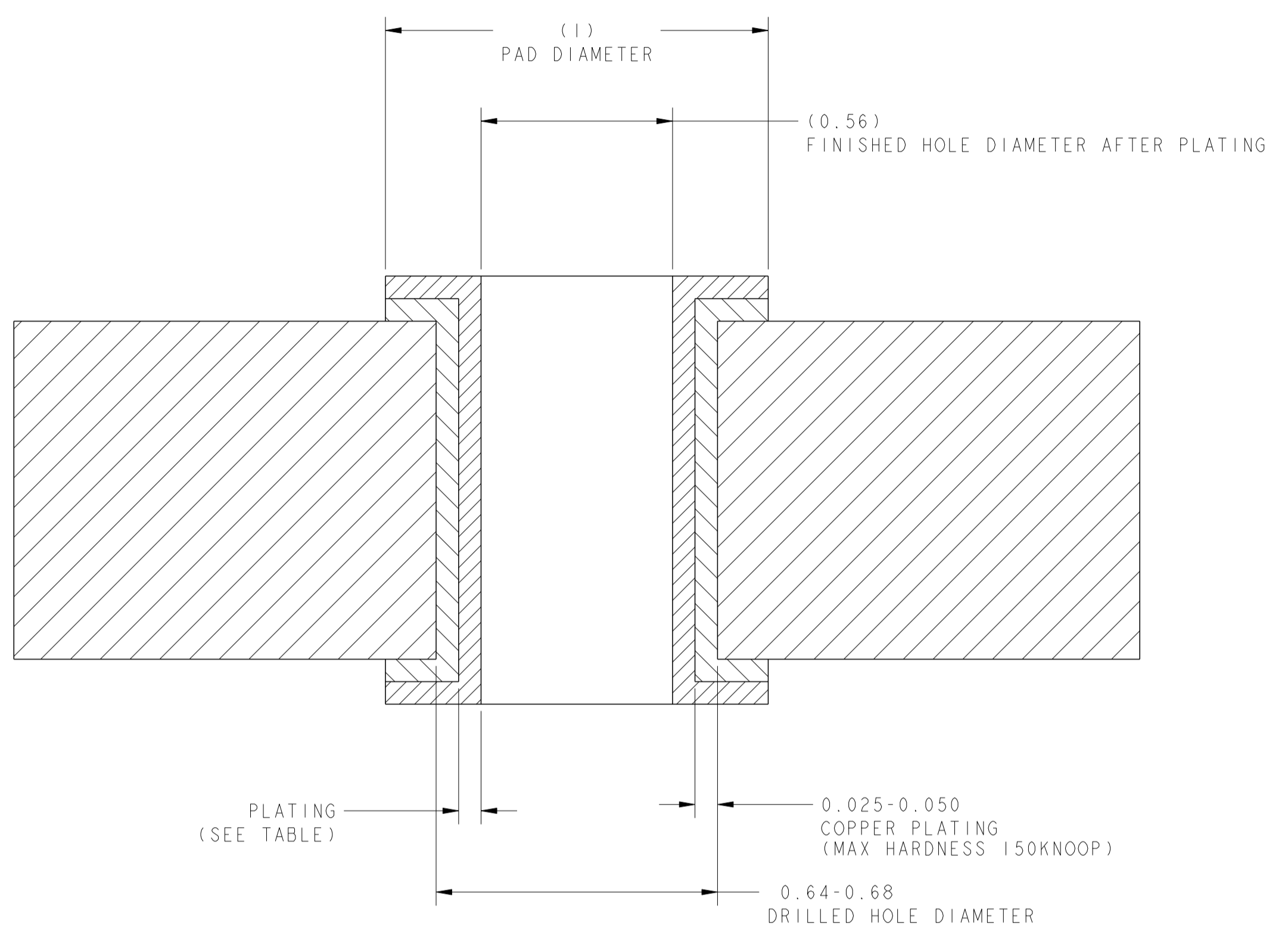
**THE SHADED AREA ON THE CUSTOMER BOARD ARE
 RECOMMENDED TO BE CLEAR OF ANY VIA HOLE OR
 COMPONENT PAD**



THIS DRAWING IS A CONTROLLED DOCUMENT. AND COMPLIANT TO ASME Y14.5M		DWN: JARRY YE / 16 JUL 2019 CHK: TERRY LIN / 16 JUL 2019 TOWER YU / BILL LIU / 16 JUL 2019 APVD: TONY YUAN / 16 JUL 2019		DONGGUAN CHINA a bel group	
DIMENSIONS:	mm	TOLERANCES UNLESS OTHERWISE SPECIFIED:	0 PLC ±0.25 1 PLC ±0.25 2 PLC ±0.25 3 PLC ±0.25 4 PLC ±0.25	MODEL NAME	DESC: 2X2, S9UTG04ET 10G 100W 4PPoE WITH LIGHT PIPE
PRODUCT SPEC	108-104004	APPLICATION SPEC	-	SIZE	CAGE CODE DRAWING NO
MAGJACK STACK 4PPoE			SCALE	C=2250660	RESTRICTED TO
CUSTOMER DRAWING			SCALE	NTS	SHEET 3 OF 6 REV 2



RECOMMENDED HOLE DIMENSIONS FOR SIGNAL & INNER SHIELD CONTACTS



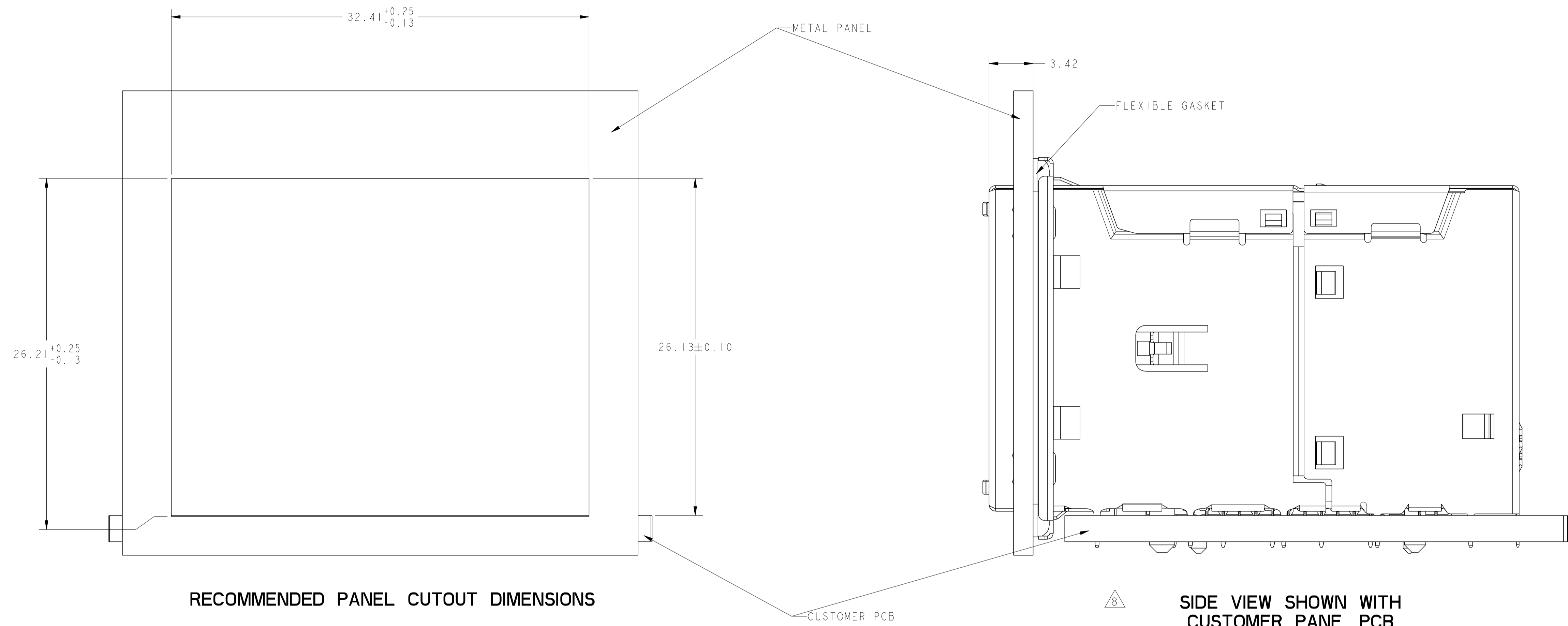
RECOMMENDED HOLE DIMENSIONS FOR OUTER SHIELD CONTACTS


THICKNESS	PLATING
0.004-0.010	HOT AIR SOLDER LEVELING (HASL) TIN-LEAD (Sn Pb)
0.0005-0.001	IMMERSION TIN (Sn)
0.0002-0.0005	ORGANIC SOLDERABILITY PRESERVATIVE (OSP)
0.0001-0.0005 Au, 0.004-0.0076 Ni	IMMERSION GOLD (Au) OVER NICKEL (Ni) (ENIG)
0.010-0.025	TIN LEAD PLATING (Sn Pb)
0.0001-0.00015	IMMERSION SILVER (Ag)

THIS DRAWING IS A CONTROLLED DOCUMENT. AND COMPLIANT TO ASME Y14.5M


DIMENSIONS: mm 	TOLERANCES UNLESS OTHERWISE SPECIFIED: 0 PLC ±0.25 1 PLC ±0.25 2 PLC ±0.25 3 PLC ±0.25 4 PLC ± ANGLES ±° APPLICATION SPEC ±	DWN: JARRY YE / 16 JUL 2019 CHK: TOWER YU / BILL LIU / 16 JUL 2019 APVD: TONY YUAN / 16 JUL 2019 MODEL NAME: MAGJACK STACK 4PPoE DESC: 2X2, S9UTG04ET 10G 100W 4PPoE WITH LIGHT PIPE SIZE: A1 CAGE CODE: C=2250660 DRAWING NO: - RESTRICTED TO: - CUSTOMER DRAWING	 DONGGUAN CHINA
-----------------------	--	---	--------------------

SCALE: NTS SHEET 4 OF 6 REV 2



THIS DRAWING IS A CONTROLLED DOCUMENT. AND COMPLIANT TO ASME Y14.5M		OWN JARRY YE / 16 JUL 2019	 trp CONNECTOR <small>a bel group</small>	DONGGUAN CHINA	
DIMENSIONS:		CHK TOWER YU / BILL LIU / 16 JUL 2019		DESC 2X2, S9UTG04ET 10G 100W 4PPoE WITH LIGHT PIPE	RESTRICTED TO
TOLERANCES UNLESS OTHERWISE SPECIFIED:		AP'D TONY YUAN / 16 JUL 2019		SIZE A1	SCALE NTS
mm	0 PLC ±0.25 1 PLC ±0.25 2 PLC ±0.25 3 PLC ±0.25 4 PLC ± ANGLES ±°	MODEL NAME MAGJACK STACK 4PPoE	DRAWING NO C=2250660	SHEET 5 OF 6	
PRODUCT SPEC 108-104004	APPLICATION SPEC	CUSTOMER DRAWING		REV 2	

2250660				STOCK DISPOSITION				
2X2, S9UTG04ET 10G 100W 4PPoE, WITH LIGHT PIPE				A: CONTINUE AS IS D: USE OLD FIRST B: REWORK E: PARTS TO CONFORM C: SCRAP F: OTHER				
REVISION HISTORY								
DATE	REV	CHANGES	REASON	APPROVAL	INVENTORY (A,B,C,D,E,F)	WORK IN PROCESS (A,B,C,F)	SUPPLIER ORDERS (A,E,F)	OPEN CUST ORDERS (A,E,F)
10SEP2019	1	-	INITIAL RELEASE	TONY YUAN	-	-	-	-
25SEP2019	2	SHEET 3 :7D : CHANGE DIMENSION 19.60 TO 19.63	DESIGN OPTIMIZATION	TONY YUAN	-	-	-	-

THIS DRAWING IS A CONTROLLED DOCUMENT. AND COMPLIANT TO ASME Y14.5M		OWN: JARRY YE / 16 JUL 2019	 trp CONNECTOR <small>a bel group</small>	DONGGUAN CHINA		
DIMENSIONS: mm		CHK: TOWER YU / BILL LIU / 16 JUL 2019		DESC: 2X2, S9UTG04ET 10G 100W 4PPoE WITH LIGHT PIPE		
TOLERANCES UNLESS OTHERWISE SPECIFIED:		APVD: TONY YUAN / 16 JUL 2019		RESTRICTED TO		
0 PLC ±0.25 1 PLC ±0.25 2 PLC ±0.25 3 PLC ±0.25 4 PLC ±0.25 ANGLES ±° APPLICATION SPEC ±°		MODEL NAME: MAGJACK STACK 4PPoE	SIZE: A1	CAGE CODE: C=2250660	DRAWING NO: -	
PRODUCT SPEC: 108-104004		CUSTOMER DRAWING		SCALE: NTS	SHEET 6 OF 6 REV 2	