

**Driver LC 60W 24V Ip SNC UNV**

Constant voltage essence series



**Product description**

- \_ Constant voltage LED driver
- \_ Universal input voltage range
- \_ Class 2
- \_ Type HL
- \_ UL Listed Class P
- \_ FCC Part 15
- \_ Max. output power 60 W
- \_ Nominal lifetime up to 50,000 h (at ta 113 °F)
- \_ 5 years guarantee (conditions at [www.tridonic.com](http://www.tridonic.com))

**Housing properties**

- \_ Casing: metal, white
- \_ Dry and damp location

**Functions**

- \_ Overtemperature protection
- \_ Overload protection
- \_ Short-circuit protection
- \_ No-load protection

**Website**

<http://www.tridonic.us/28002853>



Spotlights



Downlights



Linear



Area



Floor | Wall



Free-standing



Street

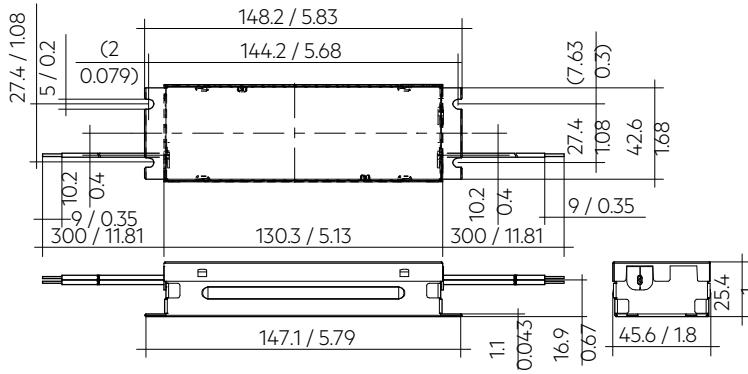


Decorative

**Driver LC 60W 24V Ip SNC UNV**

Constant voltage essence series

The complete data sheet for this product is available in the Downloads section.



Dimensions in mm / inch

**Ordering data**

Type	Article number	Packaging, carton	Packaging, pallet	Weight per pc.
LC 60/24V Ip SNC UNV	28002853	20 pc(s).	1,440 pc(s).	0.74 lbs
LC 60/24V Ip SNC UNV	28002853	20 pc(s).	1,440 pc(s).	0.74 lbs

**Technical data**

Rated supply voltage	120 – 277 V
AC voltage range	108 – 305 V
Rated current (at 120 V, 60 Hz, full load)	0.58 A
Rated current (at 277 V, 60 Hz, full load)	0.25 A
Leakage current (at 120 V, 60 Hz, full load)	< 300 $\mu$ A
Leakage current (at 230 V, 50 Hz, full load)	< 300 $\mu$ A
Mains frequency	50 / 60 Hz
Efficiency (at 120 V 60 Hz, full load)	> 88 %
Efficiency (at 277 V 60 Hz, full load)	> 90.5 %
$\lambda$ (at 120 V, 60 Hz, full load)	0.99
$\lambda$ (at 277 V, 60 Hz, full load)	0.96
Output voltage tolerance	22.8 – 25.2 V
Max. output power	60 W
Output power range	36 – 60 W
Output LF voltage ripple (< 120 Hz)	< 2.1 %
Output P_ST_LM (at full load)	$\leq$ 1
Output SVM (at full load)	$\leq$ 0.4
Starting time (output)	$\leq$ 500 ms
Turn off time (output)	$\leq$ 10 ms
Hold on time at power failure (output)	$\leq$ 1 ms
Mains burst capability (between L - N)	1 kV
Mains surge capability (between L - N)	2 kV
Mains surge capability (between L/N - PE)	4 kV
Surge voltage at output side (against PE)	< 500 V
Ambient temperature $t_a$	-13 ... +131 °F
Ambient temperature $t_a$ (at lifetime 50,000 h)	113 °F
Storage temperature $t_s$	-40 ... +185 °F
Lifetime	up to 50,000 h
Guarantee	5 Year(s)
Dimensions L x W x H	5.83 x 1.8 x 1 inch
Hole spacing D	0.18 inch

**Approval marks****Standards**

UL 8750, FCC PART 15

**Specific technical data**

Type	Max. casing temperature $t_c$	Output voltage	Max. input power (at 120 V, 60 Hz, full load)	Output current range	Max. output voltage (U <sub>OUT</sub> ) <sup>①</sup>
LC 60/24V Ip SNC UNV	185 °F	24 V	75 W	0 – 2.5 A	25.2 V
LC 60/24V Ip SNC UNV	185 °F	24 V	75 W	0 – 2.5 A	25.2 V

① At failure mode.