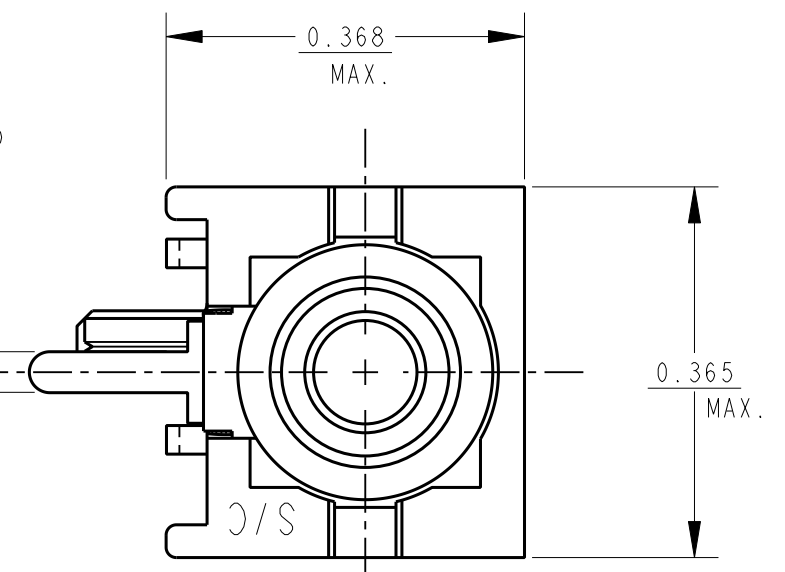
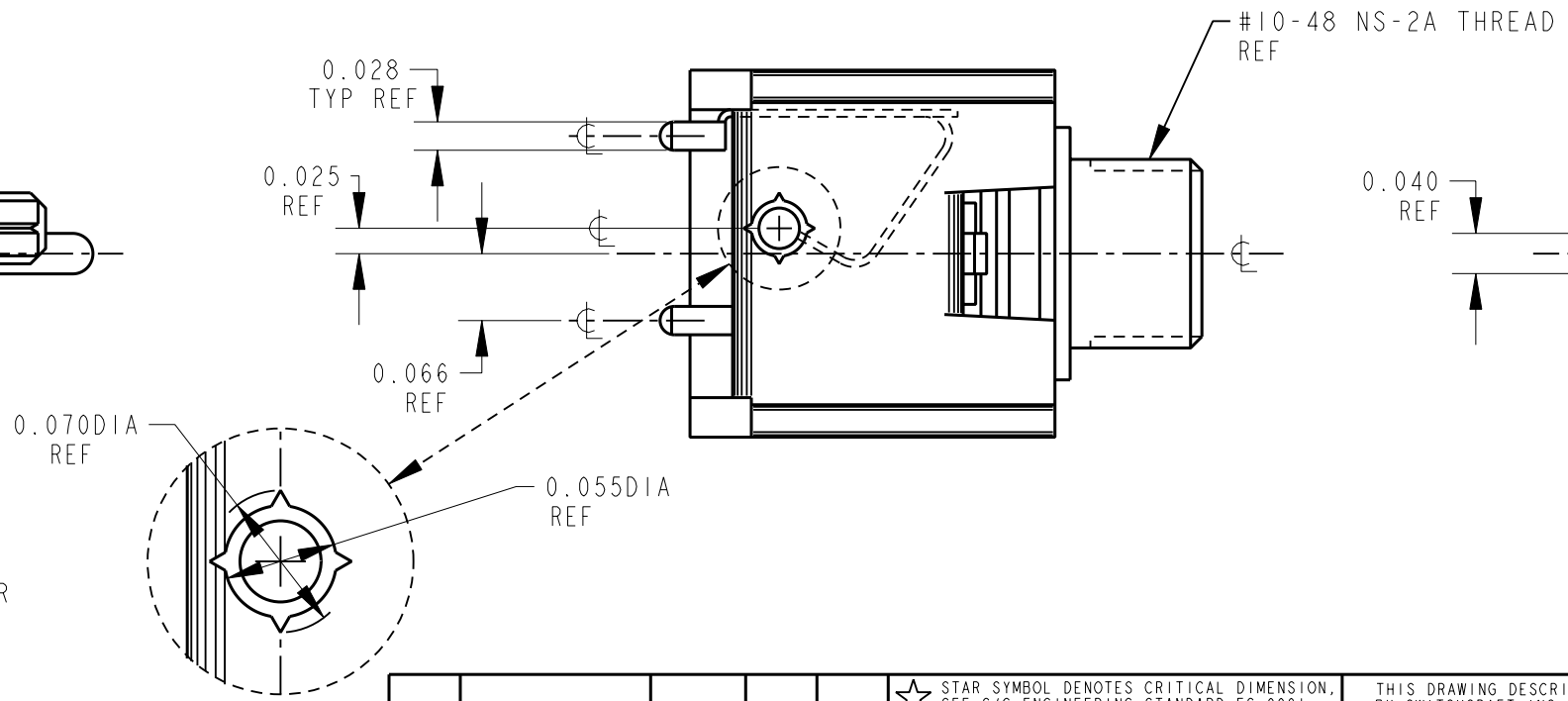
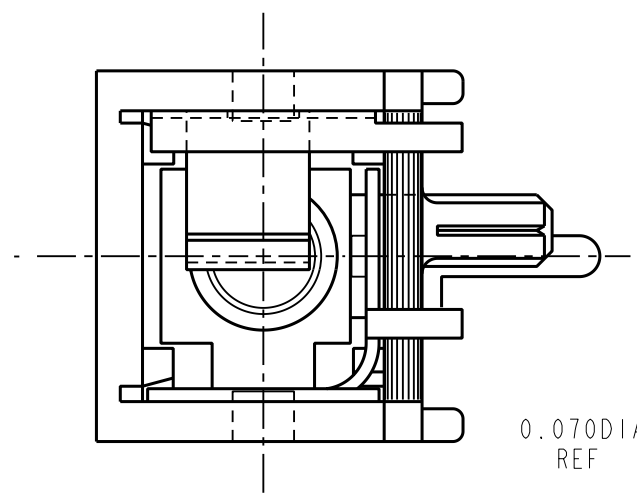
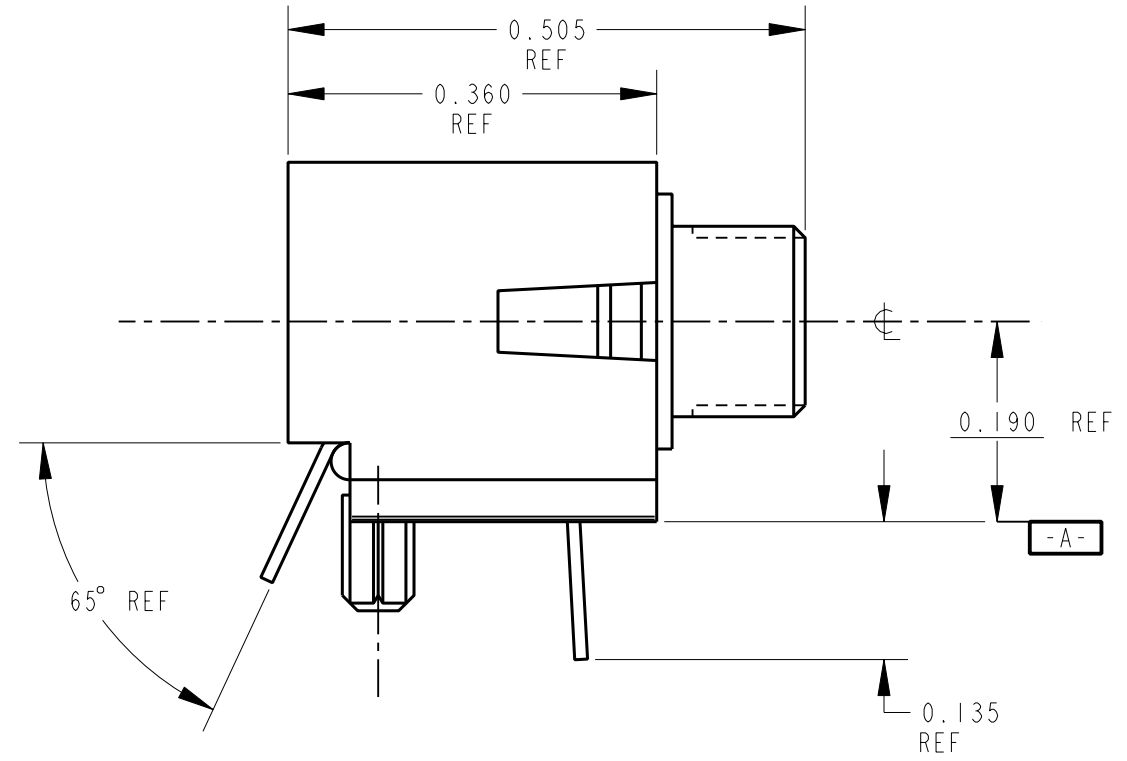


RECOMMENDED FOOTPRINT  
COMPONENT SIDE  
SCALE = 8 : 1



CUSTOMER DRAWING  
CAD/CAM DWG. NO.  
s.mdp21ra\_cd  
SHEET 1 OF 1

NOTES:

1. MATERIAL AND FINISHES:
  - PLASTIC TO BE LIQUID CRYSTAL POLYMER U.L. RECOGNIZED 94 V-0.
  - THREADED BUSHING: BRASS ALLOY NICKEL PLATED.
  - TIPSRING: PHOS. BRONZE ALLOY
  - SELECTIVE PLATE: NICKEL AND TIN-LEAD.
  - SLEEVE/GROUND TERMINAL, BRASS ALLOY TIN-LEAD W/NICKEL UNDERPLATE.

ISSUE	CHANGE NO.	DATE	BY	APP'D
A	FIRST DRAWN	3-24-94	ES	GHJ
REVISIONS				

★ STAR SYMBOL DENOTES CRITICAL DIMENSION, SEE S/C ENGINEERING STANDARD ES-0001

UNLESS OTHERWISE SPECIFIED

1. ALL DIMENSIONS IN INCHES
2. DECIMAL DIMENSIONS ±.005
3. FRACTIONAL DIMENSIONS ±1/64
4. ANGLES ±1/2°
5. ALL DIA'S CONCENTRIC WITHIN .005 T.I.R.
6. REMOVE ALL BURRS
7. MAKE NO DIMENSIONAL ALLOWANCES FOR APPLIED FINISHES, I.E., PLATING, PAINTING, ETC.
8. HOLES ON THE SAME CENTERLINE MUST BE ALIGNED WITHIN ±.002

DO NOT SCALE DRAWING

THIS DRAWING DESCRIBES A DESIGN CONSIDERED PROPRIETARY IN NATURE, DEVELOPED AND MANUFACTURED BY SWITCHCRAFT INC. AND IS RELEASED ON A CONFIDENTIAL BASIS FOR IDENTIFICATION PURPOSE ONLY.			
SIZE	WIDTH	MULT	LBS./M
FINISH		MATERIAL	
SPEC. NO.		SPEC. NO.	
FIRST USED ON		SCALE	
		1 : 1.875	
DATE DRAWN	BY	CHK'D	APP'D
3-24-94	ES	BMD 4-19-94	GHJ 4-19-94
NAME		PART NO.	
MICRO JACK		MDP21RA	
			ISSUE
			A

