

**System pitch 5.08 mm (0.200 inch)
BLL 5.08/04/180 3.2 SN OR BX**

Weidmüller Interface GmbH & Co. KG
Klingenbergstraße 16
D-32758 Detmold
Germany
Fon: +49 5231 14-0
Fax: +49 5231 14-2083
www.weidmueller.com



Female header for PCB mounting. The solder pin length is optimised for wave flow soldering.

- 400 V (IEC) / 300 V (UL)
- 23 A (IEC) / 15 A (UL)

General ordering data

Order No.	1630730000
Type	BLL 5.08/04/180 3.2 SN OR BX
Version	PCB plug-in connector, female header, closed side, Solder connection, 5.08 mm, No. of poles: 4, 180°, Solder pin length: 3.2 mm, tinned, orange, Box
Product data	IEC: 400 V / 23 A UL: 300 V / 15 A
EAN	4008190204150
Qty.	90 pc(s).
Packaging	Box

Creation date April 20, 2011 9:00:08 PM CEST

Last update 31.03.2010 / We reserve the right to make technical changes.

**System pitch 5.08 mm (0.200 inch)
BLL 5.08/04/180 3.2 SN OR BX**

Weidmüller Interface GmbH & Co. KG
Klingenbergstraße 16
D-32758 Detmold
Germany
Fon: +49 5231 14-0
Fax: +49 5231 14-2083
www.weidmueller.com

Technical data
System parameters

Fitted to PCB	Solder connection	Outgoing elbow	180°
Pitch in mm	5.08 mm	Pitch in inch	0.2 inch
No. of poles	4	Solder pin length	3.2 mm
Can be coded	Yes	No. of rows	1
Number of solder pins per pole	2	Diameter of solder eyelet	1.3 mm
Tolerance of the diameter of the solder eyelet	+ 0,1 mm	L1 in mm	15.24 mm
L1 in inch	0.6 inch	Insulation resistance	10 ³ Ω
Electric shock protection to DIN VDE 57 106 Safe from finger touch			

Material data

Insulating material	PBT GF	Colour	orange
Insulating material group	IIIa	Flammability class UL 94	V-0
CTI	≥ 200	Contact material	Copper alloy
Contact surface	tinned	Highest continuous operating temperature, min.	-25 °C
Highest continuous operating temperature, max.	100 °C	Max. relative humidity during storage	80 %

DIN IEC rating data

Rated current, min. No. of poles (Tu=20°C)	23 A	Rated current, max. No. of poles (Tu=20°C)	16 A
Rated current, no. of poles (Tu=40°C), min.	20 A	Rated current, no. of poles (Tu=40°C), max.	14 A
Rated voltage at overvoltage category/pollution degree III/3	250 V	Rated impulse withstand voltage for overvoltage class/pollution severity III/3	4 kV
Rated voltage for overvoltage class/pollution severity III/2	320 V	Rated impulse withstand voltage for overvoltage class/pollution severity III/2	4 kV
Rated voltage for overvoltage class/pollution severity II/2	400 V	Rated impulse withstand voltage for overvoltage class/pollution severity II/2	4 kV
Short-time withstand current resistance	3 x 1s with 120 A		

CSA rating data

Rated voltage (Use group B)	300 V	Rated current (use group B)	15 A
Rated voltage (use group D)	300 V	Rated current (use group D)	10 A

UL 1059 rating data

Rated voltage (use group B)	300 V	Rated current (use group B)	15 A
Rated voltage (use group D)	300 V	Rated current (use group D)	10 A

Classifications

ETIM 3.0	EC001284	ETIM 4.0	EC002637
UNSPSC	30-21-18-10	eClass 4.1	27-26-07-01
eClass 5.1	27-26-07-04	eClass 6.0	27-26-07-04

Approvals

Approvals	CSA; GOSTME25; UR; ROHS
-----------	----------------------------

Datasheet

System pitch 5.08 mm (0.200 inch)
BLL 5.08/04/180 3.2 SN OR BX

Weidmüller Interface GmbH & Co. KG
Klingenbergstraße 16
D-32758 Detmold
Germany
Fon: +49 5231 14-0
Fax: +49 5231 14-2083
www.weidmueller.com

Technical data

Notes

Notes

- Additional colours on request
- Gold-plated contact surfaces on request
- Rated current related to rated cross-section and min. No. of poles.
- P on drg. = pitch
- Rated data refer only to the component itself. Clearance and creepage distances to other components are to be designed in accordance with the relevant application standards.

Downloads

CAD Library (P-CAD Format - ASCII) [BLL.LIA](#)

CAD Library (P-CAD Format - Standard) [BLL.LIB](#)

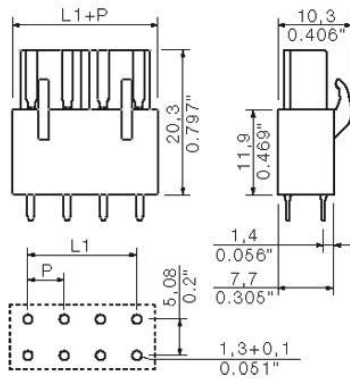
[3D model](#)

Datasheet

**System pitch 5.08 mm (0.200 inch)
 BLL 5.08/04/180 3.2 SN OR BX**

Weidmüller Interface GmbH & Co. KG
 Klingenbergstraße 16
 D-32758 Detmold
 Germany
 Fon: +49 5231 14-0
 Fax: +49 5231 14-2083
 www.weidmueller.com

Drawings



System pitch 5.08 mm (0.200 inch)
BLL 5.08/04/180 3.2 SN OR BX

Weidmüller Interface GmbH & Co. KG
 Klingenbergstraße 16
 D-32758 Detmold
 Germany
 Fon: +49 5231 14-0
 Fax: +49 5231 14-2083
 www.weidmueller.com

Mating connector (fully pluggable)

SL 5.00/90



Male connectors with 90° outlet direction. The solder pin length is optimised for wave flow soldering. The pin headers provide space for labelling and can be coded.

- 400 V (IEC) / 300 V (UL)
- 18 A (IEC) / 15 A (UL)

General ordering data

Order No.	Type	Version	Product data	EAN	Qty.	Packaging
1626010000	SL 5.00/04/90 4.5SN BK BX	PCB plug-in connector, male header, open side, Solder connection, 5.00 mm, No. of poles: 4, 90°, Solder pin length: 4.5 mm, tinned, black, Box	IEC: 400 V / 18 A UL: 300 V / 15 A	4008190197315	100 pc(s).	Box
1571150000	SL 5.00/04/90 3.2SN OR BX	PCB plug-in connector, male header, open side, Solder connection, 5.00 mm, No. of poles: 4, 90°, Solder pin length: 3.2 mm, tinned, orange, Box	IEC: 400 V / 18 A UL: 300 V / 15 A	4008190107314	100 pc(s).	Box

SL 5.08/90



Male connectors with 90° outlet direction. The solder pin length is optimised for wave flow soldering. The pin headers provide space for labelling and can be coded.

- 400 V (IEC) / 300 V (UL)
- 18 A (IEC) / 15 A (UL)

General ordering data

Order No.	Type	Version	Product data	EAN	Qty.	Packaging
1508260000	SL 5.08/04/90 3.2SN OR BX	PCB plug-in connector, male header, open side, Solder connection, 5.08 mm, No. of poles: 4, 90°, Solder pin length: 3.2 mm, tinned, orange, Box	IEC: 400 V / 18 A UL: 300 V / 15 A	4008190021207	100 pc(s).	Box

System pitch 5.08 mm (0.200 inch)
BLL 5.08/04/180 3.2 SN OR BX

Weidmüller Interface GmbH & Co. KG
 Klingenbergstraße 16
 D-32758 Detmold
 Germany
 Fon: +49 5231 14-0
 Fax: +49 5231 14-2083
 www.weidmueller.com

Mating connector (fully pluggable)

SL 5.08/180



Male connectors with straight outlet direction. The solder pin length is optimised for wave flow soldering. The pin headers provide space for labelling and can be coded.

- 400 V (IEC) / 300 V (UL)
- 18 A (IEC) / 15 A (UL)

General ordering data

Order No.	Type	Version	Product data	EAN	Qty.	Packaging
1517460000	SL 5.08/04/180 3.2 SN OR BX	PCB plug-in connector, male header, open side, Solder connection, 5.08 mm, No. of poles: 4, 180°, Solder pin length: 3.2 mm, tinned, orange, Box	IEC: 400 V / 18 A UL: 300 V / 15 A	4008190042011	100 pc(s).	Box

SL 5.08/135



Male connectors with 135° outlet direction. The solder pin length is optimised for wave flow soldering. The pin headers provide space for labelling and can be coded.

- 400 V (IEC) / 300 V (UL)
- 17 A (IEC) / 15 A (UL)

General ordering data

Order No.	Type	Version	Product data	EAN	Qty.	Packaging
1603080000	SL 5.08/04/135 3.2SN OR BX	PCB plug-in connector, male header, open side, Solder connection, 5.08 mm, No. of poles: 4, 135°, Solder pin length: 3.2 mm, tinned, orange, Box	IEC: 400 V / 17 A UL: 300 V / 15 A	4008190164997	100 pc(s).	Box

System pitch 5.08 mm (0.200 inch)
BLL 5.08/04/180 3.2 SN OR BX

Weidmüller Interface GmbH & Co. KG
 Klingenbergstraße 16
 D-32758 Detmold
 Germany
 Fon: +49 5231 14-0
 Fax: +49 5231 14-2083
 www.weidmueller.com

Mating connector (fully pluggable)

SLD 5.08/180G



2-tier male header with parallel pin arrangement. The solder pin length is optimised for wave flow soldering. The pin headers provide space for labelling and can be coded.

- 400 V (IEC) / 300 V (UL)
- 11 A (IEC) / 10 A (UL)

General ordering data

Order No.	Type	Version	Product data	EAN	Qty.	Packaging
1602410000	SLD 5.08/08/180G 3.2SN OR BX	PCB plug-in connector, male header, closed side, Solder connection, 5.08 mm, No. of poles: 8, 180°, Solder pin length: 3.2 mm, tinned, orange, Box	IEC: 400 V / 11 A UL: 300 V / 10 A	4008190000608	50 pc(s).	Box

SL-SMT 5.08/90 Box



High-temperature-resistant, 90° angled, open male connector. Packed in box or tape. In tape with 1.5 mm solder pin optimised for automatic assembly. 3.2 mm solder pin suitable for reflow and wave soldering. These male connectors can be labelled and coded.

- 400 V (IEC) / 300 V (UL)
- 19 A (IEC) / 15 A (UL)

General ordering data

Order No.	Type	Version	Product data	EAN	Qty.	Packaging
1779970000	SL-SMT 5.08/04/90 3.2SN BK BX	PCB plug-in connector, male header, open side, Reflow solder connection, 5.08 mm, No. of poles: 4, 90°, Solder pin length: 3.2 mm, tinned, black, Box	IEC: 400 V / 19 A UL: 300 V / 15 A	4032248165292	100 pc(s).	Box
1774782001	SL-SMT 5.08/04/90 1.5SN BK BX	PCB plug-in connector, male header, open side, Reflow solder connection, 5.08 mm, No. of poles: 4, 90°, Solder pin length: 1.5 mm, tinned, black, Box	IEC: 400 V / 19 A UL: 300 V / 15 A	4032248155811	100 pc(s).	Box

System pitch 5.08 mm (0.200 inch)
BLL 5.08/04/180 3.2 SN OR BX

Weidmüller Interface GmbH & Co. KG
 Klingenbergstraße 16
 D-32758 Detmold
 Germany
 Fon: +49 5231 14-0
 Fax: +49 5231 14-2083
 www.weidmueller.com

Mating connector (fully pluggable)

SL-SMT 5.08/90 Tape



High-temperature-resistant, 90° angled, open male connector. Packed in box or tape. In tape with 1.5 mm solder pin optimised for automatic assembly. 3.2 mm solder pin suitable for reflow and wave soldering. These male connectors can be labelled and coded.

- 400 V (IEC) / 300 V (UL)
- 19 A (IEC) / 15 A (UL)

General ordering data

Order No.	Type	Version	Product data	EAN	Qty.	Packaging
1774784001	SL-SMT 5.08/04/90 1.5 SN BK RL	PCB plug-in connector, male header, open side, Reflow solder connection, 5.08 mm, No. of poles: 4, 90°, Solder pin length: 1.5 mm, tinned, black, Tape	IEC: 400 V / 19 A UL: 300 V / 15 A	4032248167678	350 pc(s).	Tape

SLD 5.08/90G



2-tier male header with parallel pin arrangement. The solder pin length is optimised for wave flow soldering. The pin headers provide space for labelling and can be coded.

- 400 V (IEC) / 300 V (UL)
- 11 A (IEC) / 10 A (UL)

General ordering data

Order No.	Type	Version	Product data	EAN	Qty.	Packaging
1601810000	SLD 5.08/08/90G 3.2SN OR BX	PCB plug-in connector, male header, closed side, Solder connection, 5.08 mm, No. of poles: 8, 90°, Solder pin length: 3.2 mm, tinned, orange, Box	IEC: 400 V / 11 A UL: 300 V / 10 A	4008190105105	50 pc(s).	Box

**System pitch 5.08 mm (0.200 inch)
BLL 5.08/04/180 3.2 SN OR BX**

Weidmüller Interface GmbH & Co. KG
Klingenbergstraße 16
D-32758 Detmold
Germany
Fon: +49 5231 14-0
Fax: +49 5231 14-2083
www.weidmueller.com

Mating connector (fully pluggable)

SL-SMT 5.08/180 Box



High-temperature-resistant, straight, open ended male connector. Packed in box or tape. In tape with 1.5 mm solder pin optimised for automatic assembly. 3.2 mm solder pin suitable for reflow and wave soldering. These male connectors can be labelled and coded.

- 400 V (IEC) / 300 V (UL)
- 19 A (IEC) / 15 A (UL)

General ordering data

Order No.	Type	Version	Product data	EAN	Qty.	Packaging
1838000000	SL-SMT 5.08/04/180 3.2SN BK BX	PCB plug-in connector, male header, open side, Reflow solder connection, 5.08 mm, No. of poles: 4, 180°, Solder pin length: 3.2 mm, tinned, black, Box	IEC: 400 V / 19 A UL: 300 V / 15 A	4032248348060	100 pc(s).	Box
1775592001	SL-SMT 5.08/04/180 1.5SN BK BX	PCB plug-in connector, male header, open side, Reflow solder connection, 5.08 mm, No. of poles: 4, 180°, Solder pin length: 1.5 mm, tinned, black, Box	IEC: 400 V / 19 A UL: 300 V / 15 A	4032248157563	100 pc(s).	Box

SL-SMT 5.08/180 Tape



High-temperature-resistant, straight, open ended male connector. Packed in box or tape. In tape with 1.5 mm solder pin optimised for automatic assembly. 3.2 mm solder pin suitable for reflow and wave soldering. These male connectors can be labelled and coded.

- 400 V (IEC) / 300 V (UL)
- 19 A (IEC) / 15 A (UL)

General ordering data

Order No.	Type	Version	Product data	EAN	Qty.	Packaging
1775594001	SL-SMT 5.08/04/180 1.5 SN BK RL	PCB plug-in connector, male header, open side, Reflow solder connection, 5.08 mm, No. of poles: 4, 180°, Solder pin length: 1.5 mm, tinned, black, Tape	IEC: 400 V / 19 A UL: 300 V / 15 A	4032248159505	250 pc(s).	Tape

System pitch 5.08 mm (0.200 inch)
BLL 5.08/04/180 3.2 SN OR BX

Weidmüller Interface GmbH & Co. KG
 Klingenbergstraße 16
 D-32758 Detmold
 Germany
 Fon: +49 5231 14-0
 Fax: +49 5231 14-2083
 www.weidmueller.com

Mating connector (fully pluggable)

SL-SMT 5.08/90G Box



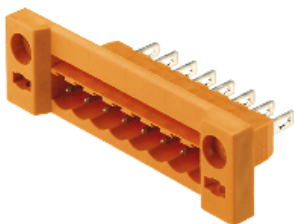
High-temperature-resistant male connector, packed in box or tape. In tape with 1.5 mm solder pin optimised for automatic assembly. 3.2 mm solder pin suitable for reflow and wave soldering. These male connectors can be labelled and coded.

- 400 V (IEC) / 300 V (UL)
- 19 A (IEC) / 15 A (UL)

General ordering data

Order No.	Type	Version	Product data	EAN	Qty.	Packaging
178020000	SL-SMT 5.08/04/90G 3.2SN BK BX	PCB plug-in connector, male header, closed side, Reflow solder connection, 5.08 mm, No. of poles: 4, 90°, Solder pin length: 3.2 mm, tinned, black, Box	IEC: 400 V / 19 A UL: 300 V / 15 A	4032248165520	100 pc(s).	Box
1775022001	SL-SMT 5.08/04/90G 1.5SN BK BX	PCB plug-in connector, male header, closed side, Reflow solder connection, 5.08 mm, No. of poles: 4, 90°, Solder pin length: 1.5 mm, tinned, black, Box	IEC: 400 V / 19 A UL: 300 V / 15 A	4032248156085	100 pc(s).	Box

SLDF 5.08



Male connector for through-panel mounting with optional locking function. Internal connection as flat-blade or solder connection. These male connectors provide space for labelling and can be coded.

- 400 V (IEC) / 300 V (UL)
- 15 A (IEC) / 10 A (UL)

General ordering data

Order No.	Type	Version	Product data	EAN	Qty.	Packaging
1599150000	SLDF 5.08 L/F 4 SN OR BX	PCB plug-in connector, male header, 5.08 mm, No. of poles: 4, 180°, Box	IEC: 400 V / 15 A UL: 300 V / 10 A	4008190133627	100 pc(s).	Box

System pitch 5.08 mm (0.200 inch)
BLL 5.08/04/180 3.2 SN OR BX

Weidmüller Interface GmbH & Co. KG
 Klingenbergstraße 16
 D-32758 Detmold
 Germany
 Fon: +49 5231 14-0
 Fax: +49 5231 14-2083
 www.weidmueller.com

Mating connector (fully pluggable)

SL-SMT 5.08/180G Tape



High-temperature-resistant male connector, packed in box or tape. In tape with 1.5 mm solder pin optimised for automatic assembly. 3.2 mm solder pin suitable for reflow and wave soldering. These male connectors can be labelled and coded.

- 400 V (IEC) / 300 V (UL)
- 19 A (IEC) / 15 A (UL)

General ordering data

Order No.	Type	Version	Product data	EAN	Qty.	Packaging
1775944001	SL-SMT 5.08/04/180G 1.5 SN BK RL	PCB plug-in connector, male header, closed side, Reflow solder connection, 5.08 mm, No. of poles: 4, 180°, Solder pin length: 1.5 mm, tinned, black, Tape	IEC: 400 V / 19 A UL: 300 V / 15 A	4032248160129	250 pc(s).	Tape

SL-SMT 5.08/180G Box



High-temperature-resistant male connector, packed in box or tape. In tape with 1.5 mm solder pin optimised for automatic assembly. 3.2 mm solder pin suitable for reflow and wave soldering. These male connectors can be labelled and coded.

- 400 V (IEC) / 300 V (UL)
- 19 A (IEC) / 15 A (UL)

General ordering data

Order No.	Type	Version	Product data	EAN	Qty.	Packaging
1838230000	SL-SMT 5.08/04/180G 3.2SN BK BX	PCB plug-in connector, male header, closed side, Reflow solder connection, 5.08 mm, No. of poles: 4, 180°, Solder pin length: 3.2 mm, tinned, black, Box	IEC: 400 V / 19 A UL: 300 V / 15 A	4032248348299	100 pc(s).	Box
1775942001	SL-SMT 5.08/04/180G 1.5SN BK BX	PCB plug-in connector, male header, closed side, Reflow solder connection, 5.08 mm, No. of poles: 4, 180°, Solder pin length: 1.5 mm, tinned, black, Box	IEC: 400 V / 19 A UL: 300 V / 15 A	4032248158935	100 pc(s).	Box

**System pitch 5.08 mm (0.200 inch)
BLL 5.08/04/180 3.2 SN OR BX**

Weidmüller Interface GmbH & Co. KG
Klingenbergstraße 16
D-32758 Detmold
Germany
Fon: +49 5231 14-0
Fax: +49 5231 14-2083
www.weidmueller.com

Mating connector (fully pluggable)

SL-SMT 5.08/90G Tape



High-temperature-resistant male connector, packed in box or tape. In tape with 1.5 mm solder pin optimised for automatic assembly. 3.2 mm solder pin suitable for reflow and wave soldering. These male connectors can be labelled and coded.

- 400 V (IEC) / 300 V (UL)
- 19 A (IEC) / 15 A (UL)

General ordering data

Order No.	Type	Version	Product data	EAN	Qty.	Packaging
1775024001	SL-SMT 5.08/04/90G 1.5 SN BK RL	PCB plug-in connector, male header, closed side, Reflow solder connection, 5.08 mm, No. of poles: 4, 90°, Solder pin length: 1.5 mm, tinned, black, Tape	IEC: 400 V / 19 A UL: 300 V / 15 A	4032248167746	350 pc(s).	Tape

System pitch 5.08 mm (0.200 inch)
BLL 5.08/04/180 3.2 SN OR BX

Weidmüller Interface GmbH & Co. KG
 Klingenbergstraße 16
 D-32758 Detmold
 Germany
 Fon: +49 5231 14-0
 Fax: +49 5231 14-2083
 www.weidmueller.com

Mating connector (conditionally pluggable)

SLS 5.08/180F



Male plugs with clamping-yoke screw wire-connect system. The male plugs provide space for labelling and can be coded.

- 0.2 - 2.5 mm² (IEC) / 26 - 12 AWG (UL)
- 400 V (IEC) / 300 V (UL)
- 21.5 A (IEC) / 15 A (UL)

General ordering data

Order No.	Type	Version	Product data	EAN	Qty.	Packaging
1846380000	SLS 5.08/04/180F SN OR BX	PCB plug-in connector, male plug, 5.08 mm, No. of poles: 4, 180°, Clamping yoke connection, Clamping range, rated connection, max.: 3.31 mm ² , Box	IEC: 400 V / 21.5 A / 0.2 - 2.5 mm ² / 300 V / 15 A / AWG 26 - AWG 12	4032248362080	100 pc(s).	Box

SL 5.00/90B



Male connectors with 90° outlet direction. The solder pin length is optimised for wave flow soldering. The pin headers provide space for labelling and can be coded.

- 400 V (IEC) / 300 V (UL)
- 18 A (IEC) / 15 A (UL)

General ordering data

Order No.	Type	Version	Product data	EAN	Qty.	Packaging
1580880000	SL 5.00/04/90B 3.2SN OR BX	PCB plug-in connector, male header, Dovetails for fixing blocks, Solder connection, 5.00 mm, No. of poles: 4, 90°, Solder pin length: 3.2 mm, tinned, orange, Box	IEC: 400 V / 18 A / 300 V / 15 A	4008190044060	100 pc(s).	Box

System pitch 5.08 mm (0.200 inch)
BLL 5.08/04/180 3.2 SN OR BX

Weidmüller Interface GmbH & Co. KG
 Klingenbergstraße 16
 D-32758 Detmold
 Germany
 Fon: +49 5231 14-0
 Fax: +49 5231 14-2083
 www.weidmueller.com

Mating connector (conditionally pluggable)

SLDV-THR 5.08/180F



High-temperature resistant, double level, laterally offset, male connector with flange or solder flange. 1.5 mm solder pin is suitable for reflow soldering. 3.2 mm solder pin suitable for reflow and wave soldering. The pin headers provide space for labelling and can be coded.

- 400 V (IEC) / 300 V (UL)
- 15 A (IEC) / 10 A (UL)

General ordering data

Order No.	Type	Version	Product data	EAN	Qty.	Packaging
1828910000	SLDV-THR 5.08/08/180F 1.5SN BK BX	PCB plug-in connector, male header, Flange, Reflow solder connection, 5.08 mm, No. of poles: 8, 180°, Solder pin length: 1.5 mm, tinned, black, Box	IEC: 400 V / 15 A UL: 300 V / 10 A	4032248335602	50 pc(s).	Box
1828790000	SLDV-THR 5.08/08/180F 3.2SN BK BX	PCB plug-in connector, male header, Flange, Reflow solder connection, 5.08 mm, No. of poles: 8, 180°, Solder pin length: 3.2 mm, tinned, black, Box	IEC: 400 V / 15 A UL: 300 V / 10 A	4032248335473	50 pc(s).	Box

SLS 5.08TB RF15



Male plugs with clamping-yoke screw wire-connect system. With clip-on feet for attaching the male plugs on rail. The male plugs provide space for labelling and can be coded.

- 0.2 - 2.5 mm² (IEC) / 26 - 12 AWG (UL)
- 400 V (IEC) / 300 V (UL)
- 21.5 A (IEC) / 15 A (UL)

General ordering data

Order No.	Type	Version	Product data	EAN	Qty.	Packaging
1846050000	SLS 5.08/04/180TB RF15 SN OR BX	PCB plug-in connector, male plug, 5.08 mm, No. of poles: 4, 180°, Clamping yoke connection, Clamping range, rated connection, max.: 3.31 mm ² , Box	IEC: 400 V / 21.5 A / UL: 300 V / 15 A / AWG 26 - AWG 12	4032248362332	20 pc(s).	Box

System pitch 5.08 mm (0.200 inch)
BLL 5.08/04/180 3.2 SN OR BX

Weidmüller Interface GmbH & Co. KG
 Klingenbergstraße 16
 D-32758 Detmold
 Germany
 Fon: +49 5231 14-0
 Fax: +49 5231 14-2083
 www.weidmueller.com

Mating connector (conditionally pluggable)

SLZF 5.08/270B



Male plugs with tension-clamp wire connection. The male plugs provide space for labelling and can be coded.

- 0.2 - 2.5 mm² (IEC) / 26 - 14 AWG (UL)
- 400 V (IEC) / 300 V (UL)
- 23 A (IEC) / 15 A (UL)

General ordering data

Order No.	Type	Version	Product data	EAN	Qty.	Packaging
1706160000	SLZF 5.08/04/270B SN OR BX	PCB plug-in connector, male plug, 5.08 mm, No. of poles: 4, 270°, Tension clamp connection, Clamping range, rated connection, max.: 3.31 mm ² , Box	IEC: 400 V / 20.5 A / 0.2 - 2.5 mm ² UL: 300 V / 15 A / AWG 26 - AWG 12	4032248119721	100 pc(s).	Box

SLS 5.08TB KF35



Male plugs with clamping-yoke screw wire-connect system. With clip-on feet for attaching the male plugs on rail. The male plugs provide space for labelling and can be coded.

- 0.2 - 2.5 mm² (IEC) / 26 - 12 AWG (UL)
- 400 V (IEC) / 300 V (UL)
- 21.5 A (IEC) / 15 A (UL)

General ordering data

Order No.	Type	Version	Product data	EAN	Qty.	Packaging
1846130000	SLS 5.08/04/180TB KF SN OR BX	PCB plug-in connector, male plug, 5.08 mm, No. of poles: 4, 180°, Clamping yoke connection, Clamping range, rated connection, max.: 3.31 mm ² , Box	IEC: 400 V / 21.5 A / 0.2 - 2.5 mm ² UL: 300 V / 15 A / AWG 26 - AWG 12	4032248362417	20 pc(s).	Box

System pitch 5.08 mm (0.200 inch)
BLL 5.08/04/180 3.2 SN OR BX

Weidmüller Interface GmbH & Co. KG
 Klingenbergstraße 16
 D-32758 Detmold
 Germany
 Fon: +49 5231 14-0
 Fax: +49 5231 14-2083
 www.weidmueller.com

Mating connector (conditionally pluggable)

SL-SMT 5.00/90LF Tape



High-temperature-resistant male header, packed in box or tape. In tape with 1.5 mm solder pin optimised for automatic assembly. 3.2 mm solder pin suitable for reflow and wave soldering. These male connectors provide space for labelling and can be coded.

- 400 V (IEC) / 300 V (UL)
- 19 A (IEC) / 15 A (UL)

General ordering data

Order No.	Type	Version	Product data	EAN	Qty.	Packaging
1797770000	SL-SMT 5.00/04/90LF 1.5SN BK RL	PCB plug-in connector, male header, Solder flange, Reflow solder connection, 5.00 mm, No. of poles: 4, 90°, Solder pin length: 1.5 mm, tinned, black, Tape	IEC: 400 V / 19 A UL: 300 V / 15 A	4032248239771	350 pc(s).	Tape

SL-SMT 5.08/90F Box



High-temperature-resistant male connector, packed in box or tape. In tape with 1.5 mm solder pin optimised for automatic assembly. 3.2 mm solder pin suitable for reflow and wave soldering. These male connectors can be labelled and coded.

- 400 V (IEC) / 300 V (UL)
- 19 A (IEC) / 15 A (UL)

General ordering data

Order No.	Type	Version	Product data	EAN	Qty.	Packaging
1837650000	SL-SMT 5.08/04/90F 3.2SN BK BX	PCB plug-in connector, male header, Flange, Reflow solder connection, 5.08 mm, No. of poles: 4, 90°, Solder pin length: 3.2 mm, tinned, black, Box	IEC: 400 V / 19 A UL: 300 V / 15 A	4032248347469	100 pc(s).	Box

System pitch 5.08 mm (0.200 inch)
BLL 5.08/04/180 3.2 SN OR BX

Weidmüller Interface GmbH & Co. KG
 Klingenbergstraße 16
 D-32758 Detmold
 Germany
 Fon: +49 5231 14-0
 Fax: +49 5231 14-2083
 www.weidmueller.com

Mating connector (conditionally pluggable)

SLZF 5.08/180B



Male plugs with tension-clamp wire connection. The male plugs provide space for labelling and can be coded.

- 0.2 - 2.5 mm² (IEC) / 26 - 14 AWG (UL)
- 400 V (IEC) / 300 V (UL)
- 23 A (IEC) / 15 A (UL)

General ordering data

Order No.	Type	Version	Product data	EAN	Qty.	Packaging
1710230000	SLZF 5.08/04/180B SN OR BX	PCB plug-in connector, male plug, 5.08 mm, No. of poles: 4, 180°, Tension clamp connection, Clamping range, rated connection, max.: 3.31 mm ² , Box	IEC: 400 V / 23 A / 0.2 - 2.5 mm ² / UL: 300 V / 15 A / AWG 26 - AWG 12	4008190319540	100 pc(s).	Box

SL-SMT 5.08/90LF Tape



High-temperature-resistant male connector, packed in box or tape. In tape with 1.5 mm solder pin optimised for automatic assembly. 3.2 mm solder pin suitable for reflow and wave soldering. These male connectors can be labelled and coded.

- 400 V (IEC) / 300 V (UL)
- 19 A (IEC) / 15 A (UL)

General ordering data

Order No.	Type	Version	Product data	EAN	Qty.	Packaging
1775254001	SL-SMT 5.08/04/90LF 1.5 SN BK RL	PCB plug-in connector, male header, Solder flange, Reflow solder connection, 5.08 mm, No. of poles: 4, 90°, Solder pin length: 1.5 mm, tinned, black, Tape	IEC: 400 V / 19 A / UL: 300 V / 15 A	4032248167807	350 pc(s).	Tape

System pitch 5.08 mm (0.200 inch)
BLL 5.08/04/180 3.2 SN OR BX

Weidmüller Interface GmbH & Co. KG
 Klingenbergstraße 16
 D-32758 Detmold
 Germany
 Fon: +49 5231 14-0
 Fax: +49 5231 14-2083
 www.weidmueller.com

Mating connector (conditionally pluggable)

SLS 5.08/180B



Male plugs with clamping-yoke screw wire-connect system. The male plugs provide space for labelling and can be coded.

- 0.2 - 2.5 mm² (IEC) / 26 - 12 AWG (UL)
- 400 V (IEC) / 300 V (UL)
- 21.5 A (IEC) / 15 A (UL)

General ordering data

Order No.	Type	Version	Product data	EAN	Qty.	Packaging
1627260000	SLS 5.08/04/180B SN OR BX	PCB plug-in connector, male plug, 5.08 mm, No. of poles: 4, 180°, Clamping yoke connection, Clamping range, rated connection, max.: 3.31 mm ² , Box	IEC: 400 V / 21.5 A / 0.2 - 2.5 mm ² UL: 300 V / 15 A / AWG 26 - AWG 12	4008190199777	100 pc(s).	Box

SLZF 5.08/90B



Male plugs with tension-clamp wire connection. The male plugs provide space for labelling and can be coded.

- 0.2 - 2.5 mm² (IEC) / 26 - 14 AWG (UL)
- 400 V (IEC) / 300 V (UL)
- 23 A (IEC) / 15 A (UL)

General ordering data

Order No.	Type	Version	Product data	EAN	Qty.	Packaging
1673570000	SLZF 5.08/04/90B SN OR BX	PCB plug-in connector, male plug, 5.08 mm, No. of poles: 4, 90°, Tension clamp connection, Clamping range, rated connection, max.: 3.31 mm ² , Box	IEC: 400 V / 20.5 A / 0.2 - 2.5 mm ² UL: 300 V / 15 A / AWG 26 - AWG 12	4008190435288	100 pc(s).	Box

System pitch 5.08 mm (0.200 inch)
BLL 5.08/04/180 3.2 SN OR BX

Weidmüller Interface GmbH & Co. KG
 Klingenbergstraße 16
 D-32758 Detmold
 Germany
 Fon: +49 5231 14-0
 Fax: +49 5231 14-2083
 www.weidmueller.com

Mating connector (conditionally pluggable)

SL-SMT 5.08/180F Box



High-temperature-resistant male connector, packed in box or tape. In tape with 1.5 mm solder pin optimised for automatic assembly. 3.2 mm solder pin suitable for reflow and wave soldering. These male connectors can be labelled and coded.

- 400 V (IEC) / 300 V (UL)
- 19 A (IEC) / 15 A (UL)

General ordering data

Order No.	Type	Version	Product data	EAN	Qty.	Packaging
183010000	SL-SMT 5.08/04/180F 1.5SN BK BX	PCB plug-in connector, male header, Flange, Reflow solder connection, 5.08 mm, No. of poles: 4, 180°, Solder pin length: 1.5 mm, tinned, black, Box	IEC: 400 V / 19 A UL: 300 V / 15 A	4032248336210	100 pc(s).	Box
1837870000	SL-SMT 5.08/04/180F 3.2SN BK BX	PCB plug-in connector, male header, Flange, Reflow solder connection, 5.08 mm, No. of poles: 4, 180°, Solder pin length: 3.2 mm, tinned, black, Box	IEC: 400 V / 19 A UL: 300 V / 15 A	4032248347681	100 pc(s).	Box

SLDV-THR 5.08/180FLF



High-temperature resistant, double level, laterally offset, male connector with flange or solder flange. 1.5 mm solder pin is suitable for reflow soldering. 3.2 mm solder pin suitable for reflow and wave soldering. The pin headers provide space for labelling and can be coded.

- 400 V (IEC) / 300 V (UL)
- 15 A (IEC) / 10 A (UL)

General ordering data

Order No.	Type	Version	Product data	EAN	Qty.	Packaging
1829030000	SLDV-THR 5.08/08/180FLF 3.2SN BK BX	PCB plug-in connector, male header, Flange / Solder flange, Reflow solder connection, 5.08 mm, No. of poles: 8, 180°, Solder pin length: 3.2 mm, tinned, black, Box	IEC: 400 V / 15 A UL: 300 V / 10 A	4032248335725	50 pc(s).	Box
1829150000	SLDV-THR 5.08/08/180FLF 1.5SN BK BX	PCB plug-in connector, male header, Flange / Solder flange, Reflow solder connection, 5.08 mm, No. of poles: 8, 180°	IEC: 400 V / 15 A UL: 300 V / 10 A	4032248335848	50 pc(s).	Box

System pitch 5.08 mm (0.200 inch)
BLL 5.08/04/180 3.2 SN OR BX

Weidmüller Interface GmbH & Co. KG
 Klingenbergstraße 16
 D-32758 Detmold
 Germany
 Fon: +49 5231 14-0
 Fax: +49 5231 14-2083
 www.weidmueller.com

Mating connector (conditionally pluggable)

Solder pin length: 1.5 mm,
 tinned, black, Box

SLT 5.08B



Male plugs with screw TOP wire connection. The male plug provides space for labelling and can be coded.

- 0.2 - 2.5 mm² (IEC) / 26 - 14 AWG (UL)
- 400 V (IEC) / 300 V (UL)
- 16 A (IEC) / 10 A (UL)

General ordering data

Order No.	Type	Version	Product data	EAN	Qty.	Packaging
1611730000	SLT 5.08/04/180B SN OR BX	PCB plug-in connector, male plug, 5.08 mm, No. of poles: 4, 180°, TOP connection, Clamping range, rated connection, max.: 2.5 mm ² , Box	IEC: 400 V / 16 A / 0.2 - 2.5 mm ² UL: 300 V / 10 A / AWG 26 - AWG 14	4008190192617	100 pc(s).	Box

SL-SMT 5.08/180LF Box



High-temperature-resistant male connector, packed in box or tape. In tape with 1.5 mm solder pin optimised for automatic assembly. 3.2 mm solder pin suitable for reflow and wave soldering. These male connectors can be labelled and coded.

- 400 V (IEC) / 300 V (UL)
- 19 A (IEC) / 15 A (UL)

General ordering data

Order No.	Type	Version	Product data	EAN	Qty.	Packaging
1776382001	SL-SMT 5.08/04/180LF 1.5SN BK BX	PCB plug-in connector, male header, Solder flange, Reflow solder connection, 5.08 mm, No. of poles: 4, 180°, Solder pin length: 1.5 mm, tinned, black, Box	IEC: 400 V / 19 A UL: 300 V / 15 A	4032248159161	100 pc(s).	Box
1838460000	SL-SMT 5.08/04/180LF 3.2SN BK BX	PCB plug-in connector, male header, Solder flange, Reflow solder connection, 5.08 mm, No. of poles: 4, 180°, Solder pin length: 3.2 mm, tinned, black, Box	IEC: 400 V / 19 A UL: 300 V / 15 A	4032248348527	100 pc(s).	Box

System pitch 5.08 mm (0.200 inch)
BLL 5.08/04/180 3.2 SN OR BX

Weidmüller Interface GmbH & Co. KG
 Klingenbergstraße 16
 D-32758 Detmold
 Germany
 Fon: +49 5231 14-0
 Fax: +49 5231 14-2083
 www.weidmueller.com

Mating connector (conditionally pluggable)

SLS 5.08/180FI



Male plugs with clamping-yoke screw wire-connect system. The male plugs provide space for labelling and can be coded.

- 0.2 - 2.5 mm² (IEC) / 26 - 12 AWG (UL)
- 400 V (IEC) / 300 V (UL)
- 21.5 A (IEC) / 15 A (UL)

General ordering data

Order No.	Type	Version	Product data	EAN	Qty.	Packaging
1846230000	SLS 5.08/04/180FI SN OR BX	PCB plug-in connector, male plug, 5.08 mm, No. of poles: 4, 180°, Clamping yoke connection, Clamping range, rated connection, max.: 3.31 mm ² , Box	IEC: 400 V / 21.5 A / 0.2 - 2.5 mm ² UL: 300 V / 15 A / AWG 26 - AWG 12	4032248362516	100 pc(s).	Box

SLZF 5.08/180F



Male plugs with tension-clamp wire connection. The male plugs provide space for labelling and can be coded.

- 0.2 - 2.5 mm² (IEC) / 26 - 14 AWG (UL)
- 400 V (IEC) / 300 V (UL)
- 23 A (IEC) / 15 A (UL)

General ordering data

Order No.	Type	Version	Product data	EAN	Qty.	Packaging
1846950000	SLZF 5.08/04/180F SN OR BX	PCB plug-in connector, male plug, 5.08 mm, No. of poles: 4, 180°, Tension clamp connection, Clamping range, rated connection, max.: 3.31 mm ² , Box	IEC: 400 V / 23 A / 0.2 - 2.5 mm ² UL: 300 V / 15 A / AWG 26 - AWG 12	4032248363124	100 pc(s).	Box

System pitch 5.08 mm (0.200 inch)
BLL 5.08/04/180 3.2 SN OR BX

Weidmüller Interface GmbH & Co. KG
 Klingenbergstraße 16
 D-32758 Detmold
 Germany
 Fon: +49 5231 14-0
 Fax: +49 5231 14-2083
 www.weidmueller.com

Mating connector (conditionally pluggable)

SL-SMT 5.08/90LF Box



High-temperature-resistant male connector, packed in box or tape. In tape with 1.5 mm solder pin optimised for automatic assembly. 3.2 mm solder pin suitable for reflow and wave soldering. These male connectors can be labelled and coded.

- 400 V (IEC) / 300 V (UL)
- 19 A (IEC) / 15 A (UL)

General ordering data

Order No.	Type	Version	Product data	EAN	Qty.	Packaging
1775252001	SL-SMT 5.08/04/90LF 1.5SN BK BX	PCB plug-in connector, male header, Solder flange, Reflow solder connection, 5.08 mm, No. of poles: 4, 90°, Solder pin length: 1.5 mm, tinned, black, Box	IEC: 400 V / 19 A UL: 300 V / 15 A	4032248157235	100 pc(s).	Box
1780430000	SL-SMT 5.08/04/90LF 3.2SN BK BX	PCB plug-in connector, male header, Solder flange, Reflow solder connection, 5.08 mm, No. of poles: 4, 90°, Solder pin length: 3.2 mm, tinned, black, Box	IEC: 400 V / 19 A UL: 300 V / 15 A	4032248165759	100 pc(s).	Box

SLZF 5.08/180FI



Male plugs with tension-clamp wire connection. The male plugs provide space for labelling and can be coded.

- 0.2 - 2.5 mm² (IEC) / 26 - 14 AWG (UL)
- 400 V (IEC) / 300 V (UL)
- 23 A (IEC) / 15 A (UL)

General ordering data

Order No.	Type	Version	Product data	EAN	Qty.	Packaging
1846530000	SLZF 5.08/04/180FI SN OR BX	PCB plug-in connector, male plug, 5.08 mm, No. of poles: 4, 180°, Tension clamp connection, Clamping range, rated connection, max.: 3.31 mm ² , Box	IEC: 400 V / 23 A / 0.2 - 2.5 mm ² UL: 300 V / 15 A / AWG 26 - AWG 12	4032248362837	100 pc(s).	Box

System pitch 5.08 mm (0.200 inch)
BLL 5.08/04/180 3.2 SN OR BX

Weidmüller Interface GmbH & Co. KG
 Klingenbergstraße 16
 D-32758 Detmold
 Germany
 Fon: +49 5231 14-0
 Fax: +49 5231 14-2083
 www.weidmueller.com

Mating connector (conditionally pluggable)

SL 5.08/135B



Male connectors with 135° outlet direction. The solder pin length is optimised for wave flow soldering. The pin headers provide space for labelling and can be coded.

- 400 V (IEC) / 300 V (UL)
- 17 A (IEC) / 15 A (UL)

General ordering data

Order No.	Type	Version	Product data	EAN	Qty.	Packaging
1605550000	SL 5.08/04/135B 3.2SN OR BX	PCB plug-in connector, male header, Dovetails for fixing blocks, Solder connection, 5.08 mm, No. of poles: 4, 135°, Solder pin length: 3.2 mm, tinned, orange, Box	IEC: 400 V / 17 A UL: 300 V / 15 A	4008190051693	100 pc(s).	Box

SL 5.08/180B



Male connectors with straight outlet direction. The solder pin length is optimised for wave flow soldering. The pin headers provide space for labelling and can be coded.

- 400 V (IEC) / 300 V (UL)
- 18 A (IEC) / 15 A (UL)

General ordering data

Order No.	Type	Version	Product data	EAN	Qty.	Packaging
1519760000	SL 5.08/04/180B 3.2 SN OR BX	PCB plug-in connector, male header, Dovetails for fixing blocks, Solder connection, 5.08 mm, No. of poles: 4, 180°, Solder pin length: 3.2 mm, tinned, orange, Box	IEC: 400 V / 18 A UL: 300 V / 15 A	4008190098483	100 pc(s).	Box

System pitch 5.08 mm (0.200 inch)
BLL 5.08/04/180 3.2 SN OR BX

Weidmüller Interface GmbH & Co. KG
 Klingenbergstraße 16
 D-32758 Detmold
 Germany
 Fon: +49 5231 14-0
 Fax: +49 5231 14-2083
 www.weidmueller.com

Mating connector (conditionally pluggable)

SL 5.08/90B



Male connectors with 90° outlet direction. The solder pin length is optimised for wave flow soldering. The pin headers provide space for labelling and can be coded.

- 400 V (IEC) / 300 V (UL)
- 18 A (IEC) / 15 A (UL)

General ordering data

Order No.	Type	Version	Product data	EAN	Qty.	Packaging
1510560000	SL 5.08/04/90B 3.2SN OR BX	PCB plug-in connector, male header, Dovetails for fixing blocks, Solder connection, 5.08 mm, No. of poles: 4, 90°, Solder pin length: 3.2 mm, tinned, orange, Box	IEC: 400 V / 18 A UL: 300 V / 15 A	4008190046842	100 pc(s).	Box

SL-SMT 5.08/180LF Tape



High-temperature-resistant male connector, packed in box or tape. In tape with 1.5 mm solder pin optimised for automatic assembly. 3.2 mm solder pin suitable for reflow and wave soldering. These male connectors can be labelled and coded.

- 400 V (IEC) / 300 V (UL)
- 19 A (IEC) / 15 A (UL)

General ordering data

Order No.	Type	Version	Product data	EAN	Qty.	Packaging
1776384001	SL-SMT 5.08/04/180LF 1.5 SN BK RL	PCB plug-in connector, male header, Solder flange, Reflow solder connection, 5.08 mm, No. of poles: 4, 180°, Solder pin length: 1.5 mm, tinned, black, Tape	IEC: 400 V / 19 A UL: 300 V / 15 A	4032248163502	250 pc(s).	Tape

System pitch 5.08 mm (0.200 inch)
BLL 5.08/04/180 3.2 SN OR BX

Weidmüller Interface GmbH & Co. KG
 Klingenbergstraße 16
 D-32758 Detmold
 Germany
 Fon: +49 5231 14-0
 Fax: +49 5231 14-2083
 www.weidmueller.com

Mating connector (conditionally pluggable)

SL-SMT 5.00/90LF Box



High-temperature-resistant male header, packed in box or tape. In tape with 1.5 mm solder pin optimised for automatic assembly. 3.2 mm solder pin suitable for reflow and wave soldering. These male connectors provide space for labelling and can be coded.

- 400 V (IEC) / 300 V (UL)
- 19 A (IEC) / 15 A (UL)

General ordering data

Order No.	Type	Version	Product data	EAN	Qty.	Packaging
1797250000	SL-SMT 5.00/04/90LF 1.5SN BK BX	PCB plug-in connector, male header, Solder flange, Reflow solder connection, 5.00 mm, No. of poles: 4, 90°, Solder pin length: 1.5 mm, tinned, black, Box	IEC: 400 V / 19 A UL: 300 V / 15 A	4032248238033	100 pc(s).	Box
1840370000	SL-SMT 5.00/04/90LF 3.2SN BK BX	PCB plug-in connector, male header, Solder flange, Reflow solder connection, 5.00 mm, No. of poles: 4, 90°, Solder pin length: 3.2 mm, tinned, black, Box	IEC: 400 V / 19 A UL: 300 V / 15 A	4032248351213	100 pc(s).	Box

