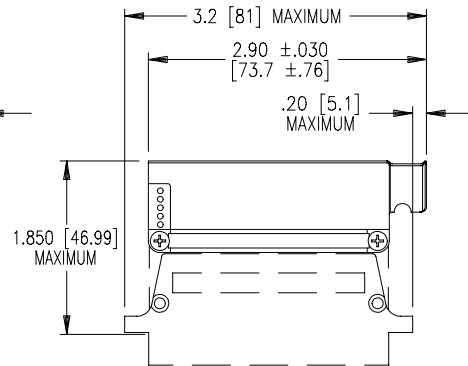
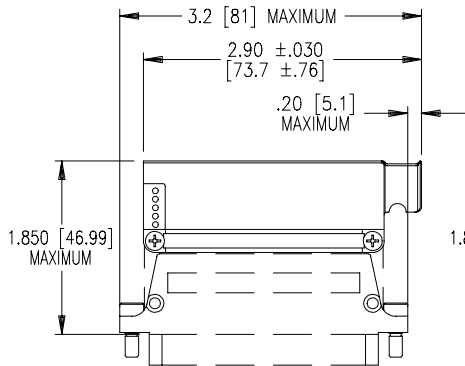
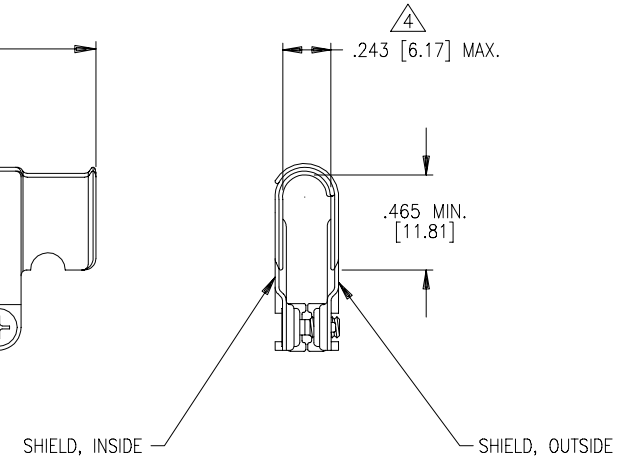
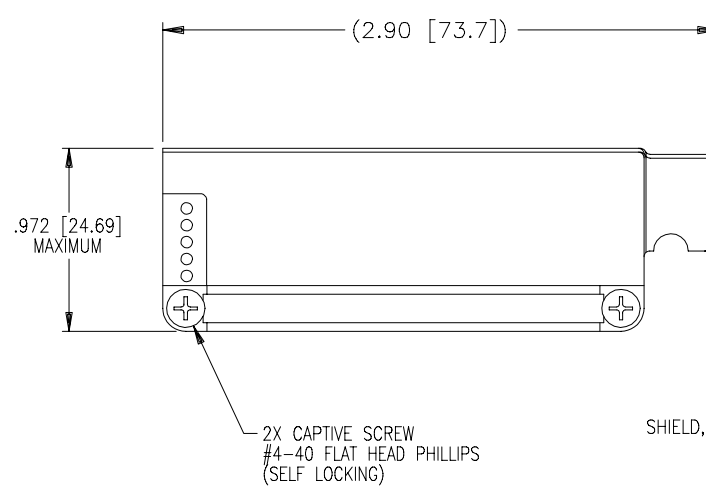
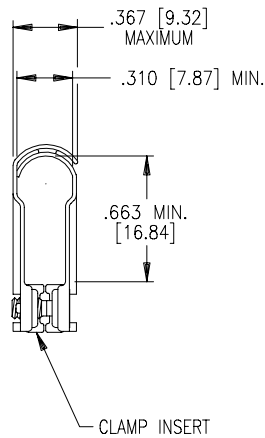


NOTES:

1. MATERIAL:
 - A) SHIELD: PHOSPHOR BRONZE PER QQ-B-750
 - B) CAPTIVE SCREW: STAINLESS STEEL PER QQ-S-763, 300 SERIES
 - C) CLAMP INSERT: FLUOROSILICONE ELASTOMER PER MIL-R-25988
2. FINISH: SEE TABULATION.
3. APPLICABLE RAYCHEM PART NUMBER IS MARKED ON BACKSHELL PACKAGE.
4. WHEN SCREWS ARE TIGHTENED TO ACHIEVE 0.1 INCH SPACING BETWEEN SHELL HALVES (EAR THICKNESS) THIS DIMENSION SHALL BE 0.225 MIN.
5. THIS BACKSHELL IS FOR USE WITH RAYCHEM MTC SERIES CONNECTORS: 2 INCH PLUG OR 2 INCH RECEPTACLE AS SHOWN.

If this document is printed it becomes uncontrolled.
Check with the web for latest revision.

REVISIONS			
LTR	DESCRIPTION	DATE	APPROVED
N/C	INITIAL RELEASE PER ECN #T-10895	88OCT13	J.B.
A	REVISED PER DCR# T-29123	4/16/2001	M.HIGGY



PART NUMBER	DESCRIPTION	FINISH	
		SHIELD	CAPTIVE SCREW
CHA-0226	AS SHOWN HEREON	ENTIRE SHIELD IS TIN PLATED PER MIL-T-10727 OVER NICKEL PER MIL-C-26074	PASSIVATE PER QQ-P-35
CHA-0226-003	AS SHOWN HEREON EXCEPT CAPTIVE SCREW IS CADMIUM PLATED		CADMIUM PLATED PER QQ-P-416

SPECIFICATION CONTROL DRAWING

UNLESS OTHERWISE SPECIFIED DIMENSIONS ARE IN INCHES. METRIC DIMENSIONS ARE IN BRACKETS. DECIMALS .XXX ± mm .XX ± mm ANGLES .X ± WEIGHT:	DRAWN	LUTTICKEN	88OCT06	tyco /Electronics/Raychem WIRE AND HARNESSING PRODUCTS 307 CONSTITUTION DRIVE MENLO PARK, CALIFORNIA 94025			
	CHECKED						
	APPROVED	J.BLAIR	88OCT11	TITLE			
	APPROVED			RIGHT ANGLE BREAKOUT ASSEMBLY (2.9 LONG X .972 HIGH) MTC SERIES			
THIRD ANGLE PROJECTION			CAD NAME	SIZE	CODE IDENT. NO.	DWG. NO.	REV
			T29123.dwg	C	06090	CHA-0226-XXX	A
				DO NOT SCALE THIS DRAWING			SHEET 1 OF 1

SHEET CHA-0226-XXX