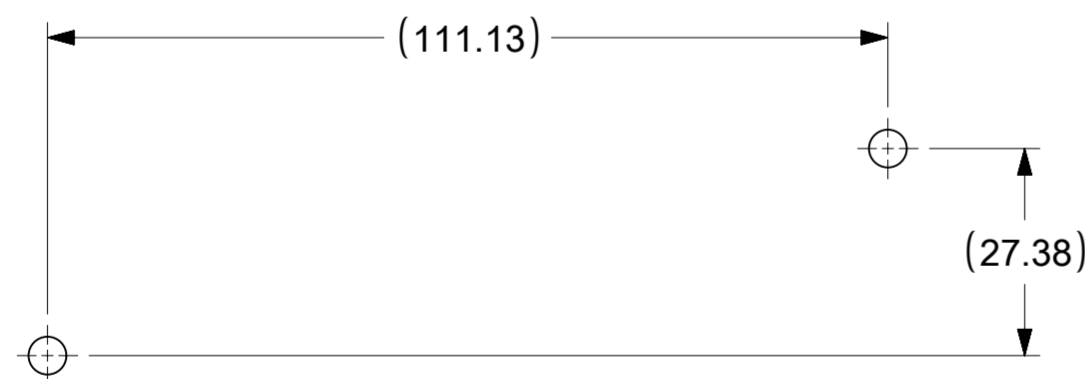
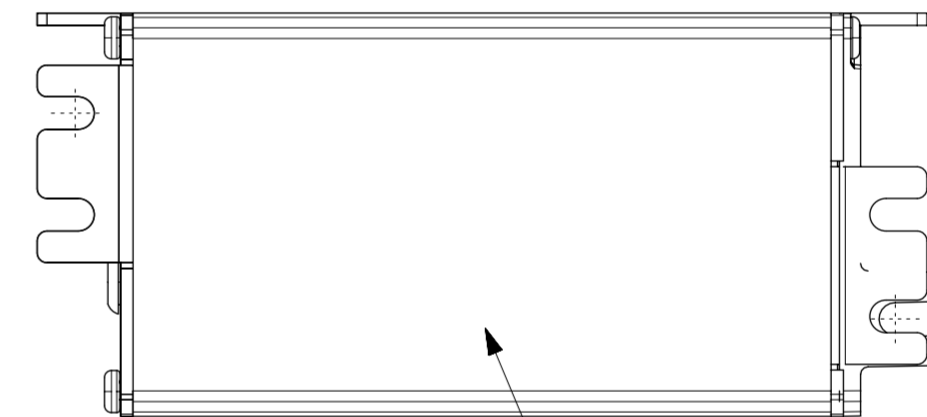
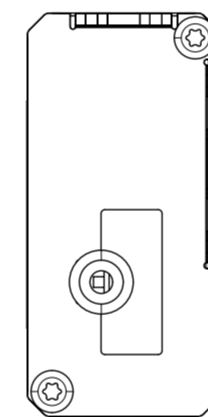
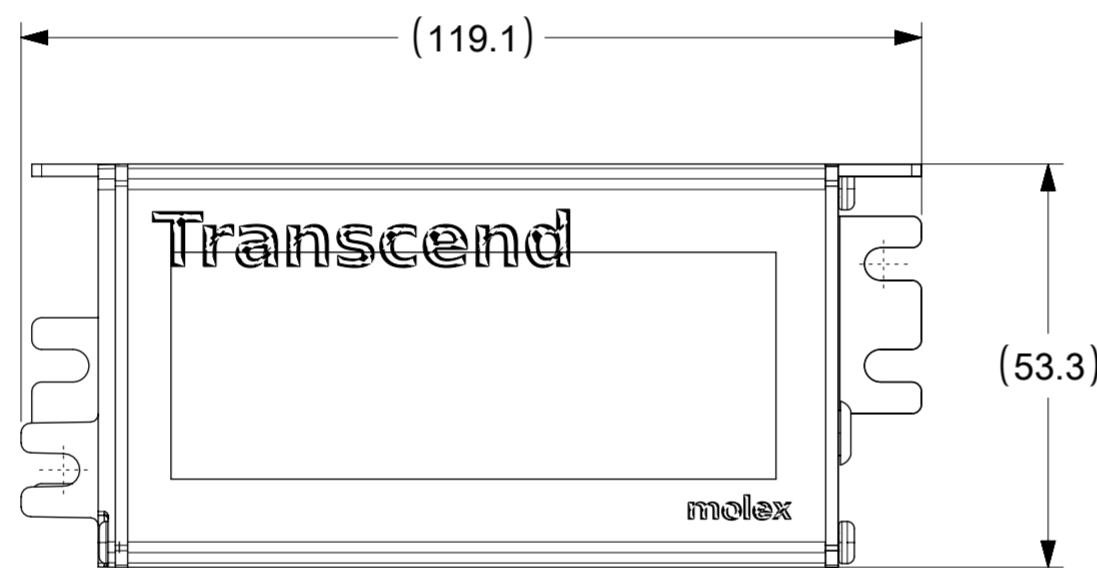
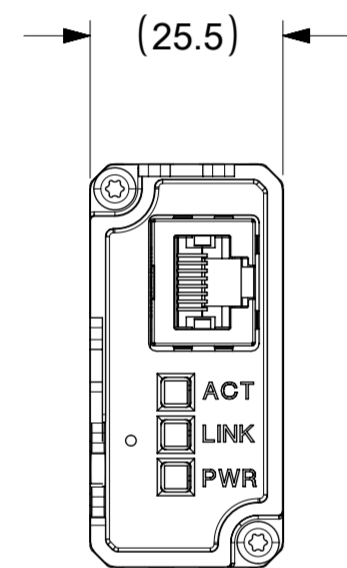
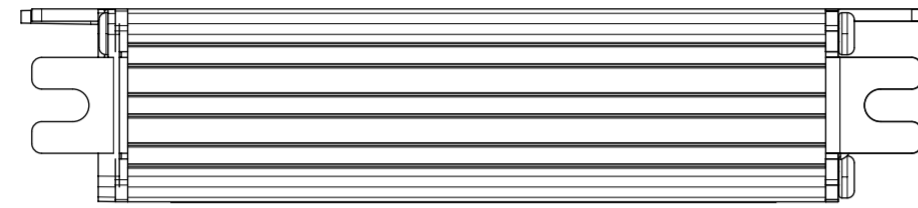


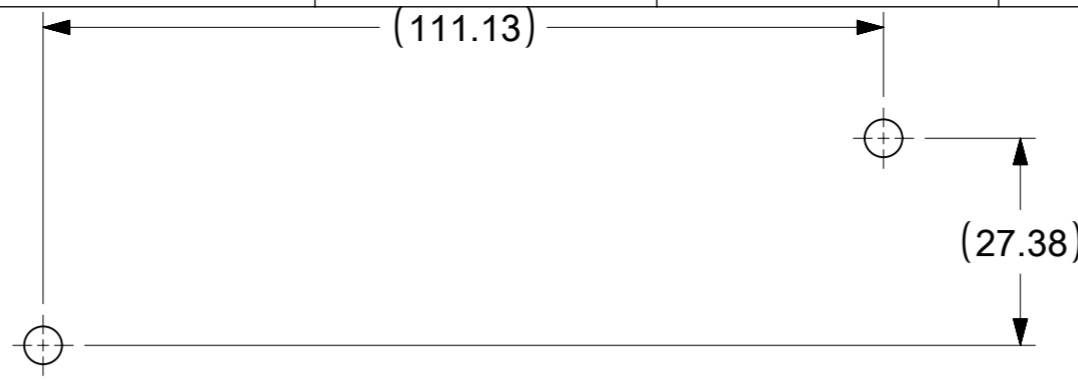
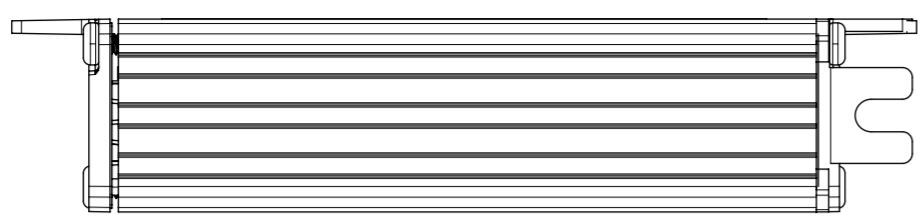
NOTES:

1. HOUSING EXTRUSION
MATERIAL: ANODIZED ALUMINUM
2. DIE CAST END CAP LEFT & RIGHT
MATERIAL: ALUMINUM, A380
FINISH: a. TEXTURED POWDER COAT, BLACK
b. GREY WET PAINT
3. PRODUCT PACKAGING LABEL CONTAINS QR CODE FOR INSTALLATION INSTRUCTIONS AND WHERE QR CODE IS NOT AVAILABLE HARD COPY WILL BE SUPPLIED.



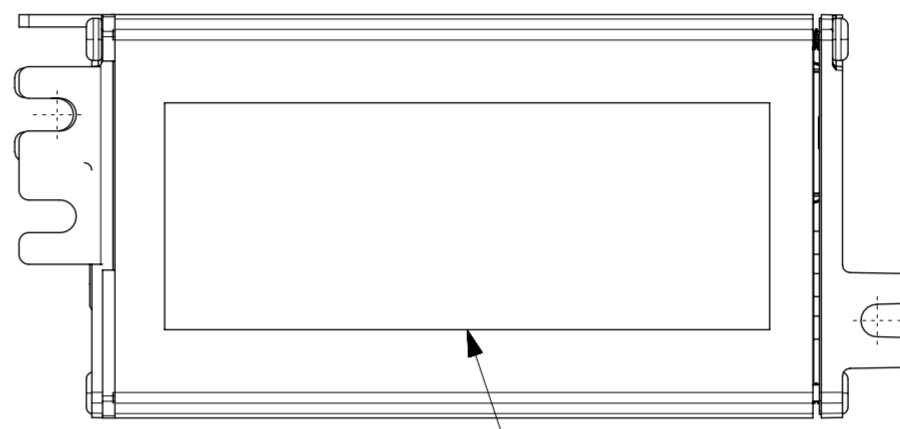
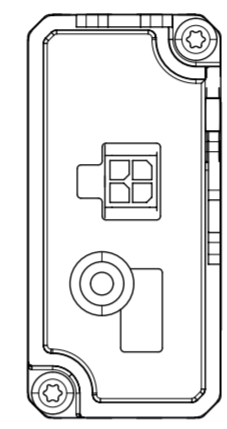
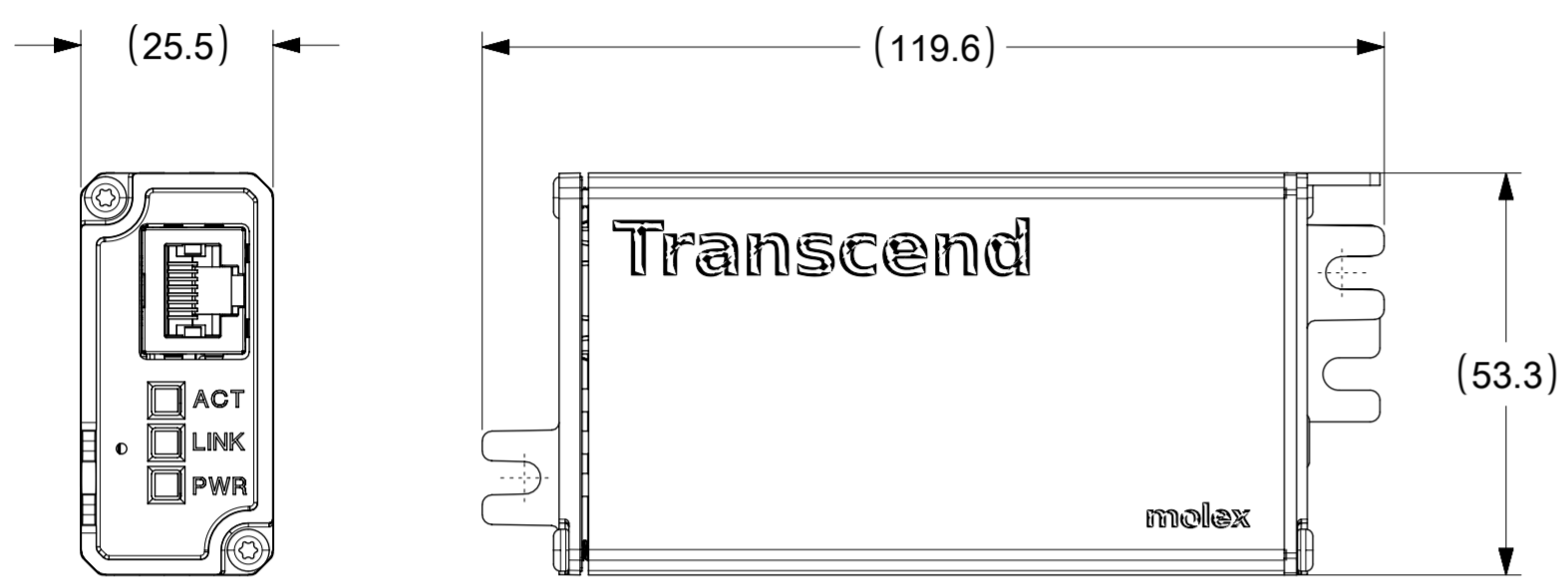
MOUNTING HOLE LOCATION
HOLES FOR A #8-32 SELF TAPPING SCREW

FUNCTIONAL SYMBOLS	THIS DRAWING CONTAINS INFORMATION THAT IS PROPRIETARY TO MOLEX ELECTRONIC TECHNOLOGIES, LLC AND SHOULD NOT BE USED WITHOUT WRITTEN PERMISSION										
	DIMENSION UNITS	SCALE	CURRENT REV DESC:							molex	
$\frac{F}{A} = 0$	MM/INCH	1:1	EC NO: 659800								
$\frac{F}{C} = 0$	GENERAL TOLERANCES (UNLESS SPECIFIED)		DRWN: UKOWSHIKARAN 2021/04/02							PRODUCT CUSTOMER DRAWING	
$\frac{F}{P} = 0$	ANGULAR TOL \pm °		CHK'D: RCG 2021/04/29								
DIVISIONAL SYMBOLS	4 PLACES \pm		APPR: RCG 2021/04/29							1809930001	
	3 PLACES \pm		INITIAL REVISION:								
	2 PLACES \pm 0.25		DRWN: GALLEN02 2017/12/12							PSD	
	1 PLACE \pm 0.5		APPR: JAGRO 2018/10/03								
	0 PLACES \pm		SERIES							REVISION	
	DRAFT WHERE APPLICABLE MUST REMAIN WITHIN DIMENSIONS		THIRD ANGLE PROJECTION	DRAWING	SHEET NUMBER	MATERIAL NUMBER	CUSTOMER	SHEET NUMBER			
				A2-SIZE	180993	SEE CHART	GENERAL MARKET	1 OF 4			



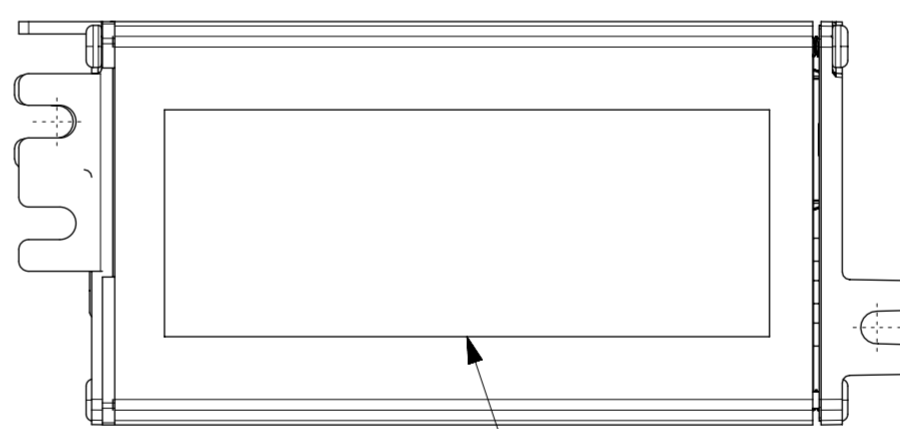
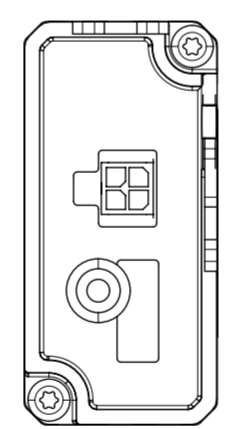
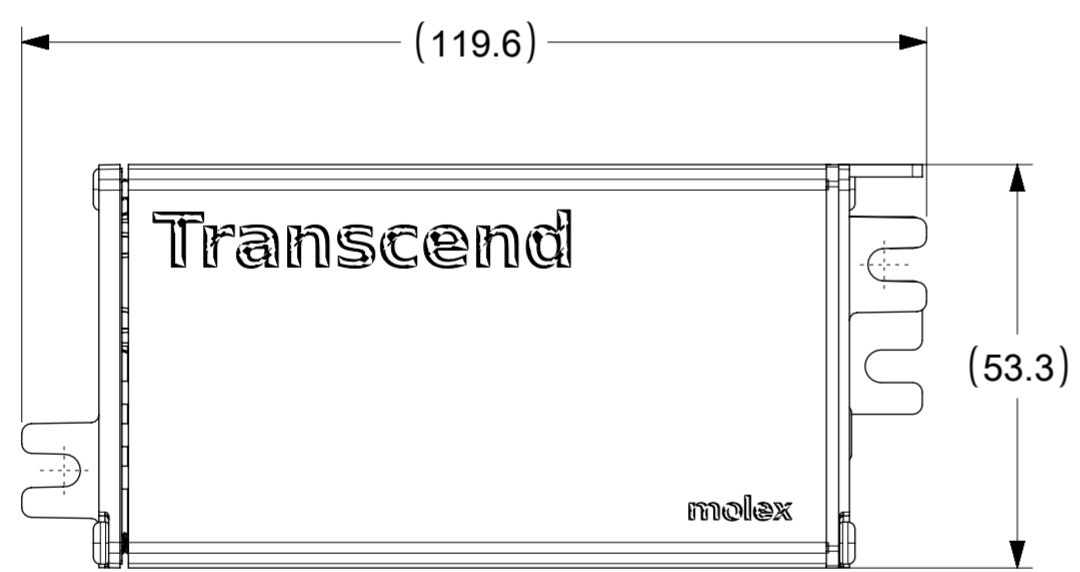
MOUNTING HOLE LOCATION
HOLES FOR A #8-32 SELF TAPPING SCREW

- NOTES:
- HOUSING EXTRUSION
MATERIAL: ANODIZED ALUMINUM
 - DIE CAST END CAP LEFT & RIGHT
MATERIAL: ALUMINUM, A380
FINISH: a. TEXTURED POWDER COAT, BLACK
b. GREY WET PAINT
 - PRODUCT PACKAGING LABEL CONTAINS QR CODE FOR INSTALLATION INSTRUCTIONS AND WHERE QR CODE IS NOT AVAILABLE HARD COPY WILL BE SUPPLIED.



ETL LABEL

180993-2011, -2012, -2021, -2022



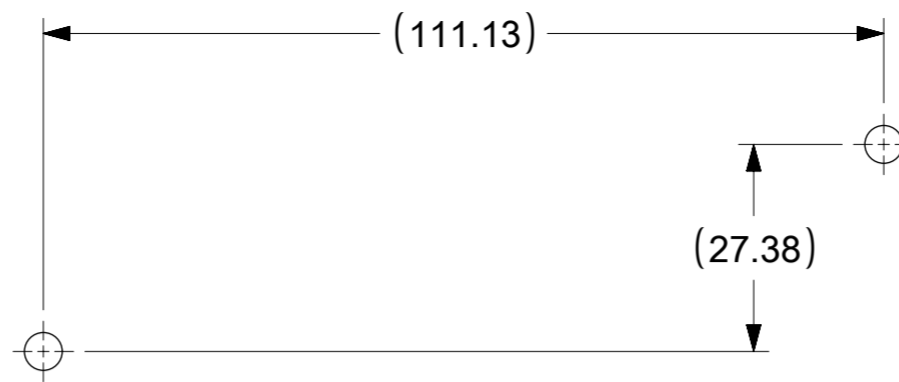
ETL LABEL

180993-2041, -2042

FUNCTIONAL SYMBOLS $\nabla_A = 0$ $\nabla_C = 0$ $\nabla_P = 0$	THIS DRAWING CONTAINS INFORMATION THAT IS PROPRIETARY TO MOLEX ELECTRONIC TECHNOLOGIES, LLC AND SHOULD NOT BE USED WITHOUT WRITTEN PERMISSION				
	DIMENSION UNITS	SCALE			
	GENERAL TOLERANCES (UNLESS SPECIFIED)		PRODUCT CUSTOMER DRAWING		
	ANGULAR TOL \pm °		DOCUMENT NUMBER: 1809930001 DOC TYPE: PSD DOC PART: 000 REVISION: B		
DIVISIONAL SYMBOLS	4 PLACES \pm	INITIAL REVISION:			
	3 PLACES \pm	DRWN: GALLEN02 2017/12/12			
	2 PLACES \pm 0.25	APPR: JAGRO 2018/10/03			
	1 PLACE \pm 0.5	MATERIAL NUMBER: SEE CHART			
0 PLACES \pm	CUSTOMER: GENERAL MARKET				
DRAFT WHERE APPLICABLE MUST REMAIN WITHIN DIMENSIONS		THIRD ANGLE PROJECTION	DRAWING: A2-SIZE	SERIES: 180993	SHEET NUMBER: 2 OF 4

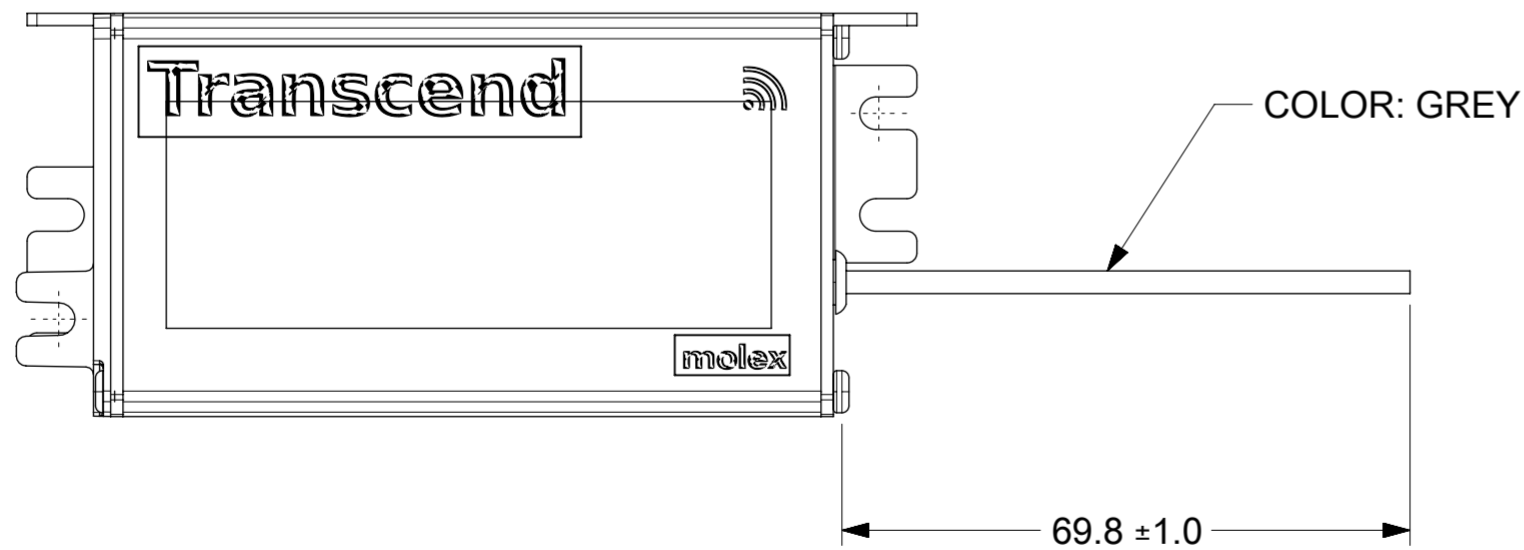
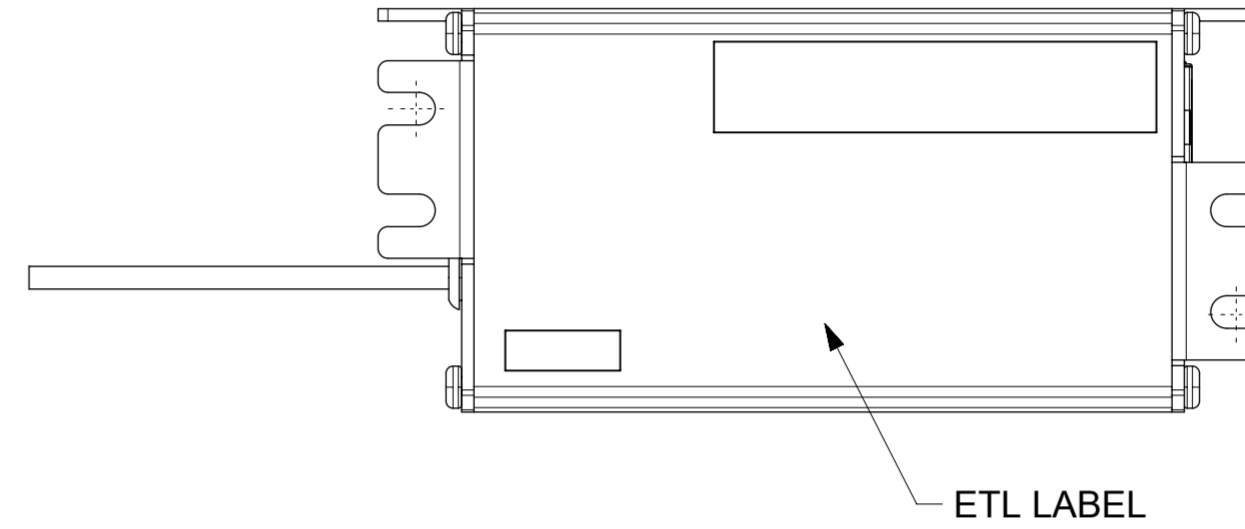
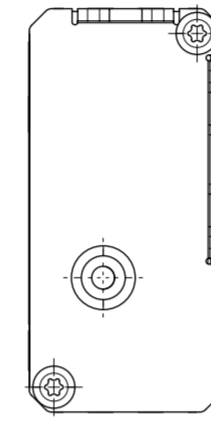
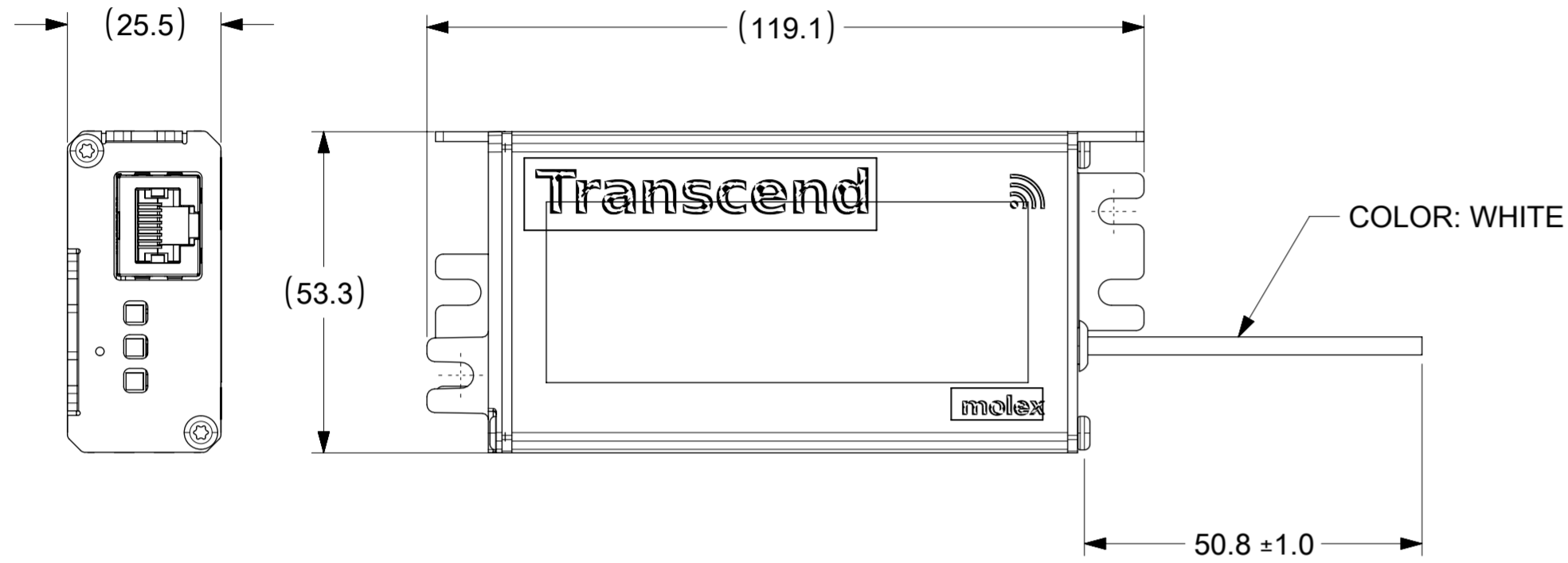


180993-3001



MOUNTING HOLE LOCATION
HOLES FOR A #8-32 SELF TAPPING SCREW

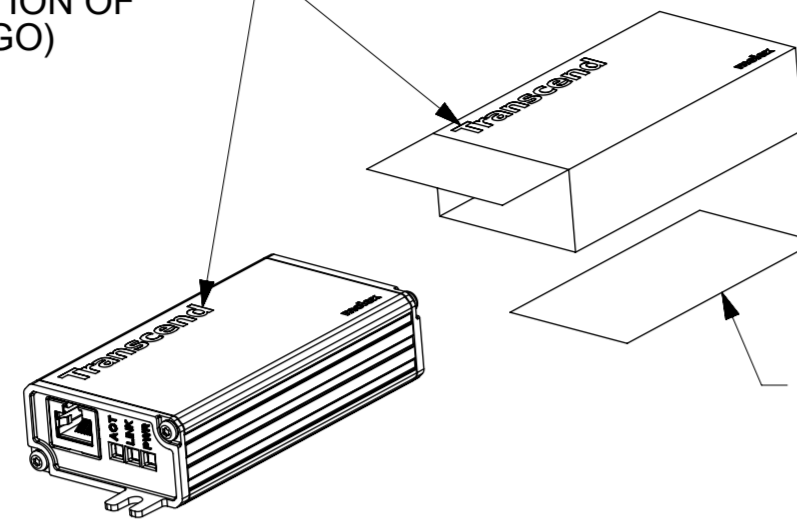
- NOTES:
- HOUSING EXTRUSION
MATERIAL: ANODIZED ALUMINUM
 - DIE CAST END CAP LEFT & RIGHT
MATERIAL: ALUMINUM, A380
FINISH: a. TEXTURED POWDER COAT, BLACK
b. GREY WET PAINT
 - PRODUCT PACKAGING LABEL CONTAINS QR CODE FOR INSTALLATION INSTRUCTIONS AND WHERE QR CODE IS NOT AVAILABLE HARD COPY WILL BE SUPPLIED.



180993-3002

FUNCTIONAL SYMBOLS	THIS DRAWING CONTAINS INFORMATION THAT IS PROPRIETARY TO MOLEX ELECTRONIC TECHNOLOGIES, LLC AND SHOULD NOT BE USED WITHOUT WRITTEN PERMISSION										
	DIMENSION UNITS	SCALE	CURRENT REV DESC:							molex	
$\frac{F}{A} = 0$	MM/INCH	1:1	EC NO: 659800								
$\frac{F}{C} = 0$	GENERAL TOLERANCES (UNLESS SPECIFIED)		DRWN: UKOWSHIKARAN 2021/04/02							PRODUCT CUSTOMER DRAWING	
$\frac{F}{P} = 0$	ANGULAR TOL ± °		CHK'D: RCG 2021/04/29								
DIVISIONAL SYMBOLS	4 PLACES ±		APPR: RCG 2021/04/29							1809930001	
	3 PLACES ±		INITIAL REVISION:								
	2 PLACES ± 0.25		DRWN: GALLEN02 2017/12/12							PSD	
	1 PLACE ± 0.5		APPR: JAGRO 2018/10/03								
	0 PLACES ±		MATERIAL NUMBER							000	
	DRAFT WHERE APPLICABLE MUST REMAIN WITHIN DIMENSIONS		THIRD ANGLE PROJECTION		DRAWING	SERIES	CUSTOMER		REVISION		
					A2-SIZE	180993	GENERAL MARKET				3 OF 4

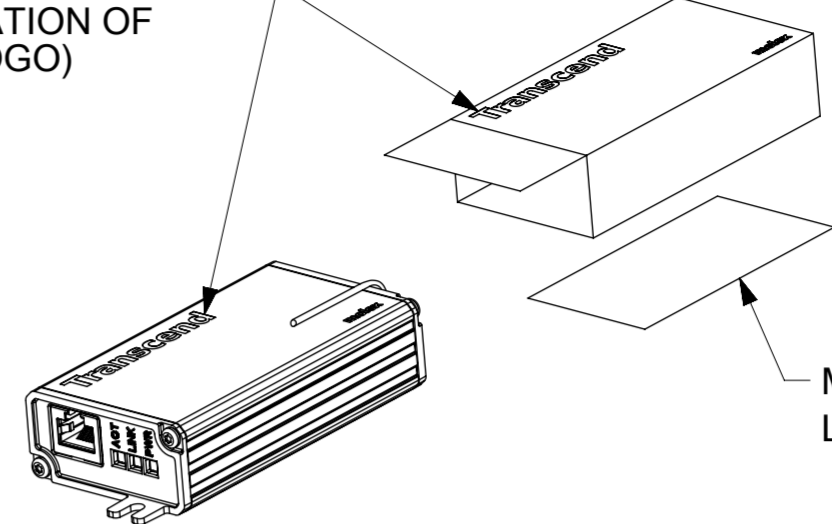
INSERT GATEWAY INTO BOX
(NOTE ORIENTATION OF
TRANSCEND LOGO)



MFG/WAREHOUSE
LABEL (SEE NOTE 3a)

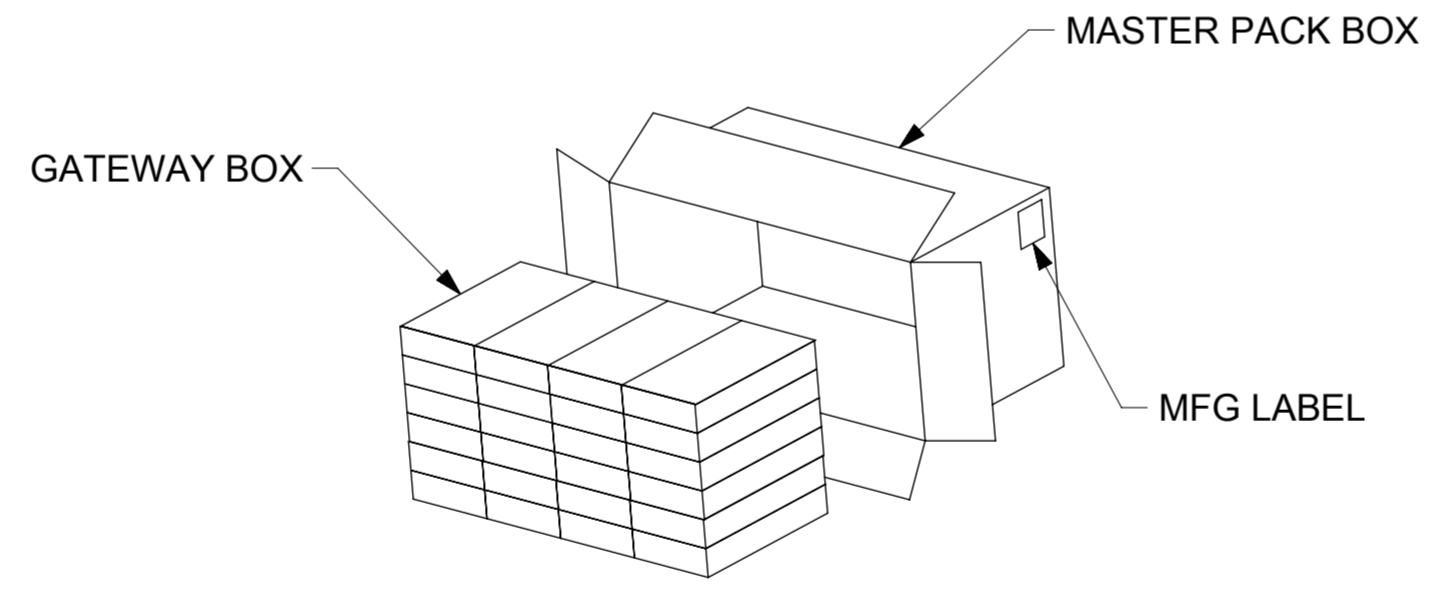
180993-0001, -2011, -2012, -2021, -2022,
-2041, -2042

INSERT GATEWAY INTO BOX
(NOTE ORIENTATION OF
TRANSCEND LOGO)



MFG/WAREHOUSE
LABEL (SEE NOTE 3b)

180993-3001, 180993-3002



- NOTES:
1. PLACE GATEWAY ASSEMBLY INTO BOX AS SHOWN.
 2. PLACE 24 GATEWAY BOXES INTO MASTERPACK.
 3. PRODUCT PACKAGING LABEL CONTAINS QR CODE FOR INSTALLATION INSTRUCTIONS AND WHERE QR CODE IS NOT AVAILABLE HARD COPY WILL BE SUPPLIED.

FUNCTIONAL SYMBOLS	THIS DRAWING CONTAINS INFORMATION THAT IS PROPRIETARY TO MOLEX ELECTRONIC TECHNOLOGIES, LLC AND SHOULD NOT BE USED WITHOUT WRITTEN PERMISSION											
	DIMENSION UNITS	SCALE	CURRENT REV DESC:							molex		
$\frac{F}{A} = 0$	MM/INCH	1:1	EC NO: 659800									POE GATEWAYS STAND ALONE ASSY
$\frac{F}{C} = 0$	GENERAL TOLERANCES (UNLESS SPECIFIED)		DRWN: UKOWSHIKARAN 2021/04/02							PRODUCT CUSTOMER DRAWING		
$\frac{F}{P} = 0$	ANGULAR TOL	± °	CHK'D: RCG 2021/04/29							DOCUMENT NUMBER		
DIVISIONAL SYMBOLS	4 PLACES	±	APPR: RCG 2021/04/29							1809930001		
	3 PLACES	±	INITIAL REVISION:							DOC TYPE	DOC PART	REVISION
	2 PLACES	± 0.25	DRWN: GALLEN02 2017/12/12							PSD	000	B
	1 PLACE	± 0.5	APPR: JAGRO 2018/10/03							MATERIAL NUMBER	CUSTOMER	SHEET NUMBER
	0 PLACES	±	DRAFT WHERE APPLICABLE MUST REMAIN WITHIN DIMENSIONS		THIRD ANGLE PROJECTION	DRAWING	SERIES	SEE CHART	GENERAL MARKET	4 OF 4		

DOCUMENT STATUS	P1	RELEASE DATE	2021/04/29	12:21:06
-----------------	----	--------------	------------	----------