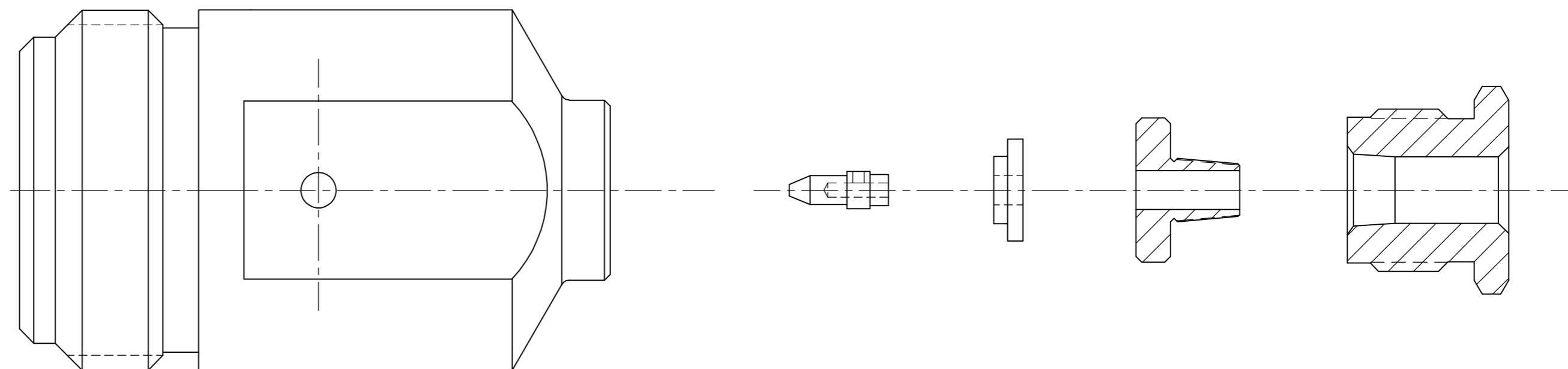


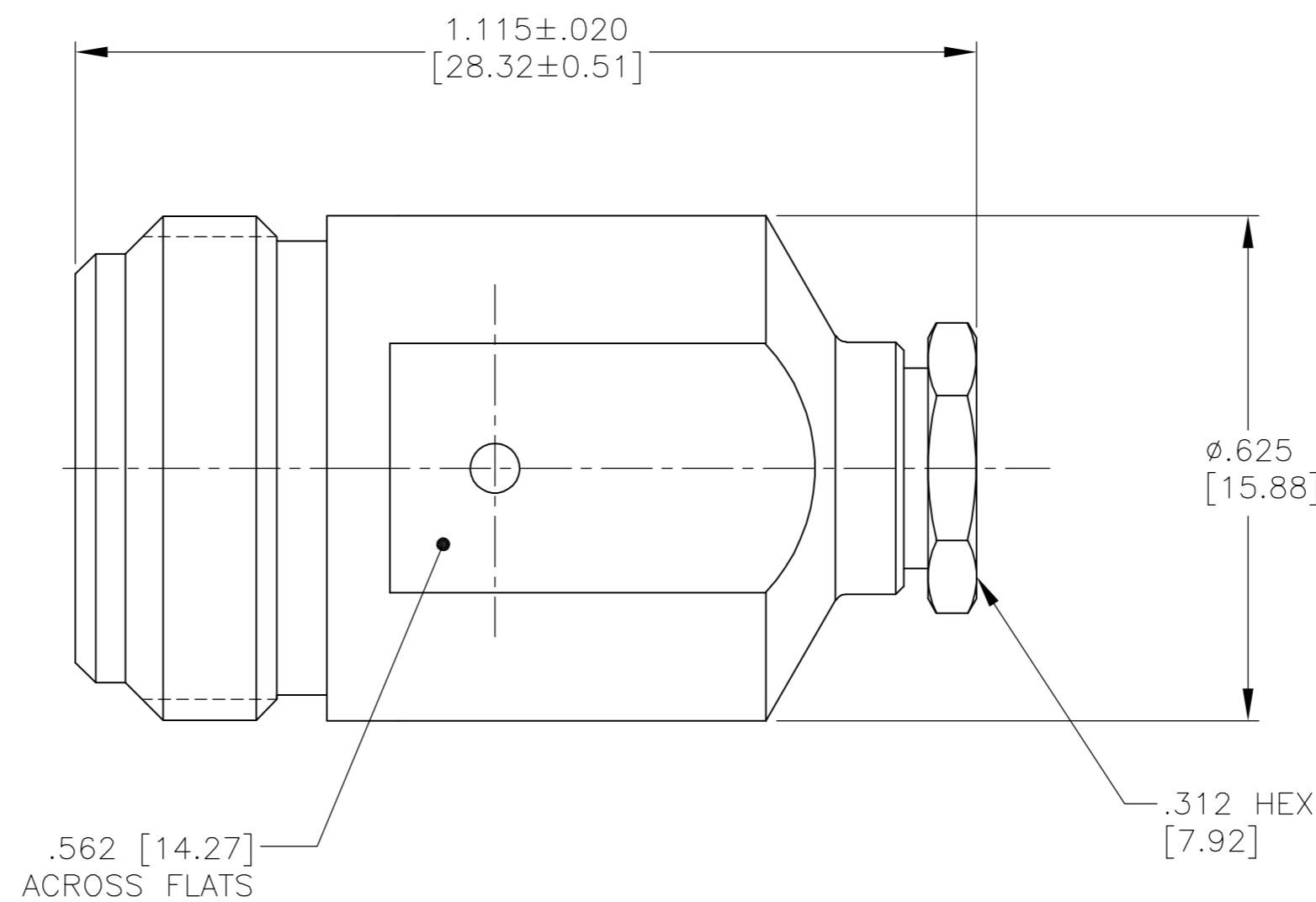
THIS DRAWING IS UNPUBLISHED.		RELEASED FOR PUBLICATION	
© COPYRIGHT BY TYCO ELECTRONICS CORPORATION. ALL RIGHTS RESERVED.			
COMPONENT	MATERIAL	FINISH	
HOUSING CLAMP NUT	BRASS PER ASTM-B-16, 1/2 HARD	NICKEL PLATED PER AMS-QQ-N-290	
DIELECTRIC	TFE FLUORCARBON PER ASTM-D-1457	-	
COLLAR CENTER CONTACT	BRASS PER ASTM-B-16, 1/2 HARD	GOLD PLATED PER ASTM-B-488	

1. CAPTURED CENTER CONTACT

LOC	DIST	REVISIONS					
DF	X0	P	LTR	DESCRIPTION	DATE	DWN	APVD
		0		RELEASED	3-04	CT	RG



AS RECIEVED BY CUSTOMER



ASSEMBLED VIEW

1757071-1
PART NO.

DESIGNED FOR USE WITH RG-174/U,179, 187, 188, 316 CABLE	
CABLE ENTRY DIAMETER MINIMUM	
COLLAR	.067 [1.70]
CLAMP NUT	.115 [2.92]
CONTACT	.025 [0.64]

THIS DRAWING IS A CONTROLLED DOCUMENT.	
DIMENSIONS: INCHES [mm]	TOLERANCES UNLESS OTHERWISE SPECIFIED:
	0 PLC ± -
	1 PLC ± -
	2 PLC ± -
	3 PLC ± .005 [0.13]
	4 PLC ± -
ANGLES ± -	FINISH SEE TABLE
MATERIAL SEE TABLE	

DWN	18MAR04
CHK	C.C.THOMAS 3-18-04
APVD	R.GROSS 3-18-04
PRODUCT SPEC	R.GROSS
APPLICATION SPEC	408-04893
WEIGHT	-
CUSTOMER DRAWING	

tyco Electronics		Tyco Electronics Corporation Harrisburg, Pa 17105-3608	
NAME OSN STRAIGHT CABLE JACK,CLAMP TYPE			
SIZE	CAGE CODE	DRAWING NO	RESTRICTED TO
A2	00779	C=1757071	-
SCALE	SHEET	OF	REV
5:1	1	1	0