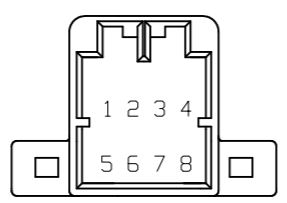
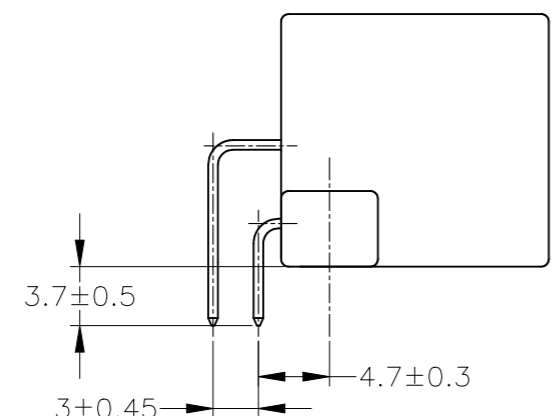
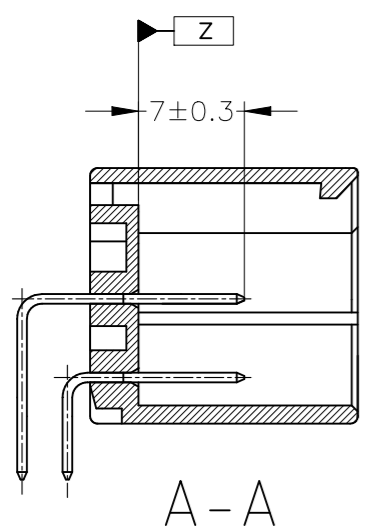
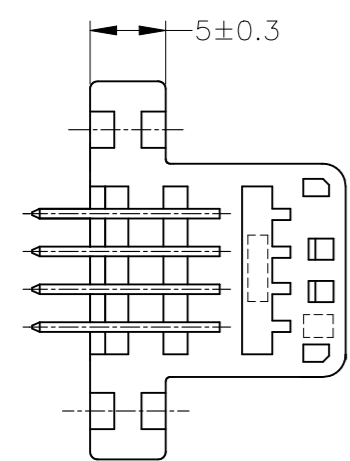
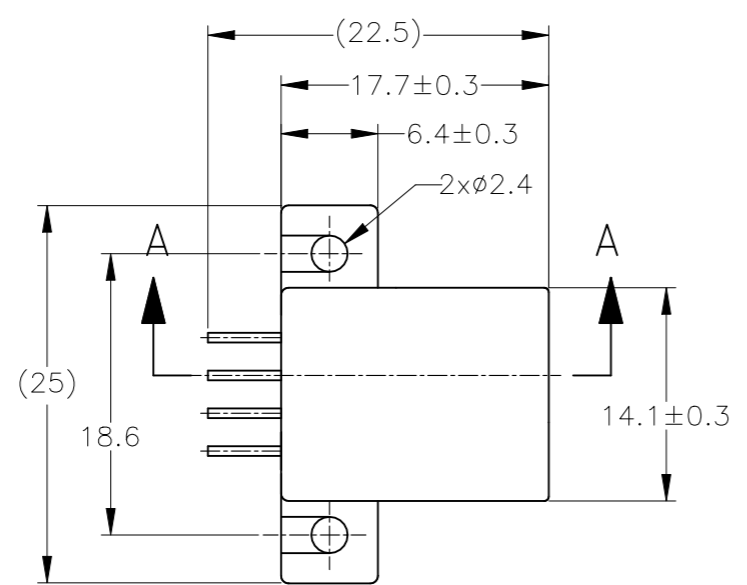
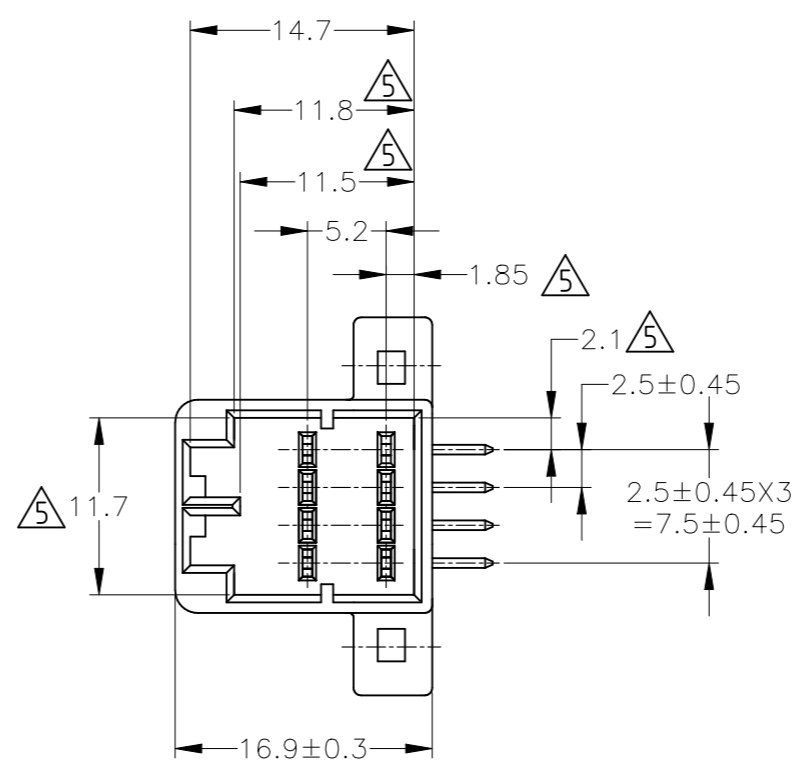
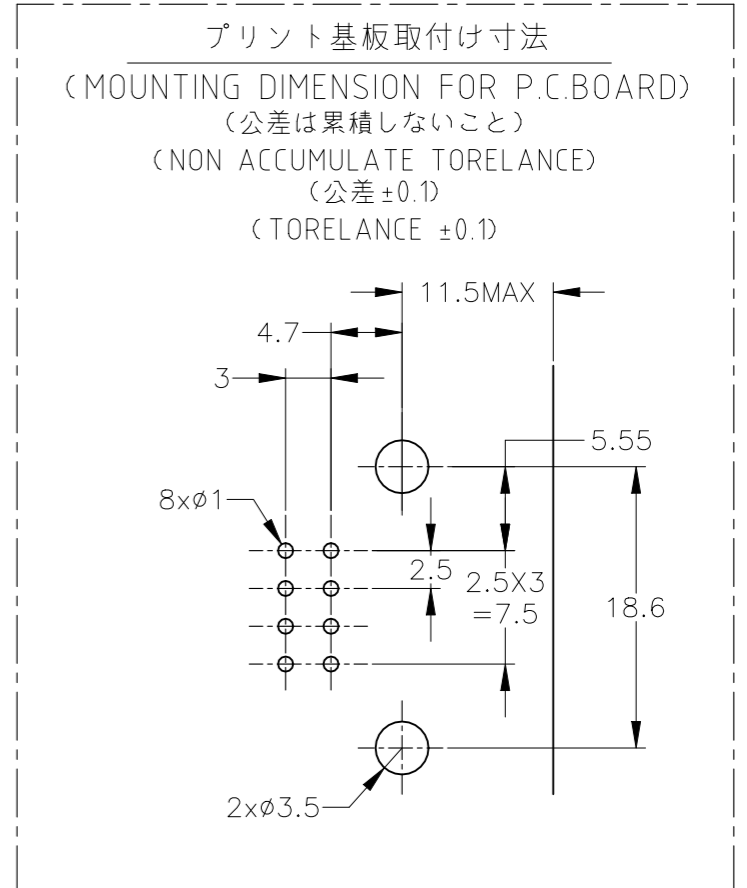


REVISIONS 変更					
P	LTR	DESCRIPTION	DATE	DWN	APVD
	D9	REVISED PER ECR-22-154022	30NOV2022	RK	MT



TOLERANCE UNLESS OTHERWISE SPECIFIED: 一般公差

0 < x ≤ 10	: ±0.2
10 < x ≤ 30	: ±0.25
30 < x ≤ 100	: ±0.3

ANGLE ; 角度 : ±3°

OBSOLETE	PRE-TIN X 5				
	SELECTIVE-TIN (MATTE)	SELECTIVE-GOLD X 3	4, 7, 8	BLACK 黒色	5175973-3
	SELECTIVE-TIN (MATTE)	SELECTIVE-GOLD X 8	1~8	BLACK 黒色	1-5175973-2
OBSOLETE	SELECTIVE-TIN (MATTE)	SELECTIVE-TIN (BRIGHT)	— / —	BLACK 黒色	175973-4
	PRE-TIN X 5		4, 7, 8	BLACK 黒色	175973-3
	TIN-LEAD	SELECTIVE-GOLD X 3	— / —	BLACK 黒色	175973-2
	PRE-TIN		— / —	GRAY 灰色	175973-1
	半田付け部 SOLDERING SIDE	接触部側 CONTACT SIDE	CIRCUIT NO OF GOLD PLATED CONTACT 金メッキ端子使用回路番号	HOUSING COLOR ハウジング色	PN 型番

- 適用プリント基板厚; 1.6mm
 - 推奨取付ネジ; JIS B1115, B1122 タッピングネジ
ナベ2種呼び径3, 長さ6mm以上 (締付トルク; 0.392N·m 以下)
 - 嵌合相手ハウジング; 175964
 - 適用製品規格番号; 108-5281
- △ Z 面より2mmの範囲で測定
△ 回路番号; 右図参照

- APPLICABLE P.C.B BOARD THICKNESS; 1.6mm
 - RECOMMENDED MOUNTING SCREW 3mm DIA 6mm LENGTH (MIN)
TAPPING SCREW SPECIFIED IN JIS B1115, B1122
(TIGHTENING TORQUE; 0.392N·m MAX)
 - THE MATING PLUG HSG. PART NUMBER; 175964
 - APPLICABLE PRODUCT SPEC NO.; 108-5281
- △ Z TO BE MEASURED WITHIN 2mm FROM Z
△ CIRCUIT NUMBER

THIS DRAWING IS A CONTROLLED DOCUMENT.

DIMENSIONS: 単位: 耗 mm	TOLERANCES UNLESS OTHERWISE SPECIFIED: 一般公差
0 PLC ± -	1 PLC ± -
2 PLC ± -	3 PLC ± -
4 PLC ± -	ANGLES ± -
MATERIAL 材料	FINISH 仕上
HSG: PBT CONT: BRASS	SEE TABLE

DWN T.SHINOHARA 12FEB02	TE Connectivity	040 SERIES MULTI-LOCK I/O CONN MK-II 8POSITION CAP HOUSING ASSEMBLY	RESTRICTED TO		
CHK A.YAMAGUCHI 12FEB02					
APVD K.BETSUI 12FEB02					
PRODUCT SPEC 製品規格 SEE NOTE 4					
APPLICATION SPEC 取付適用規格	NAME 名称	SIZE	CAGE CODE	DRAWING NO 番号	RESTRICTED TO
WEIGHT 3.25 g	A3	00779	C-175973		
CUSTOMER DRAWING		SCALE 尺度 2:1	SHEET 1 of 1	REV D9	