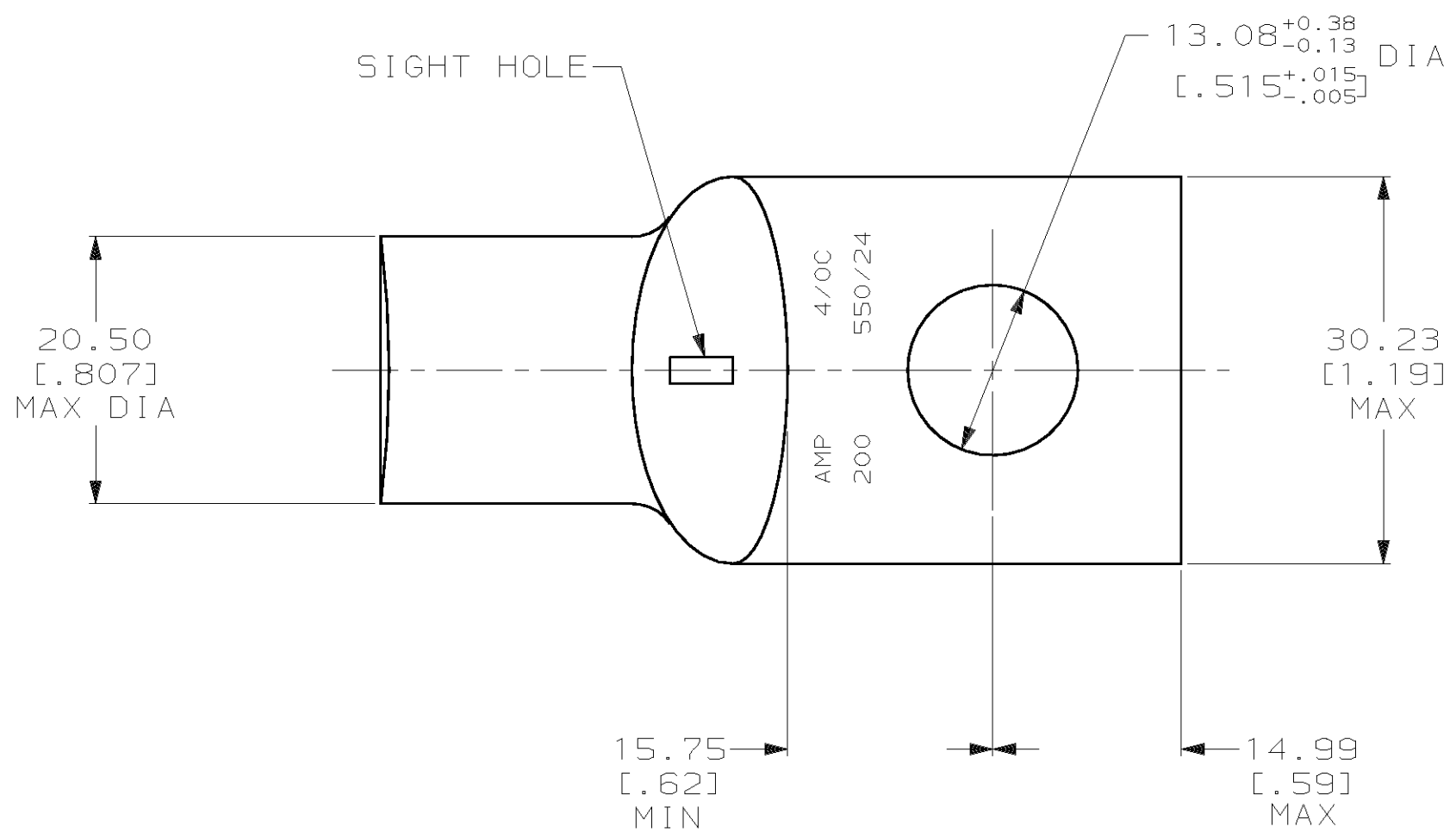
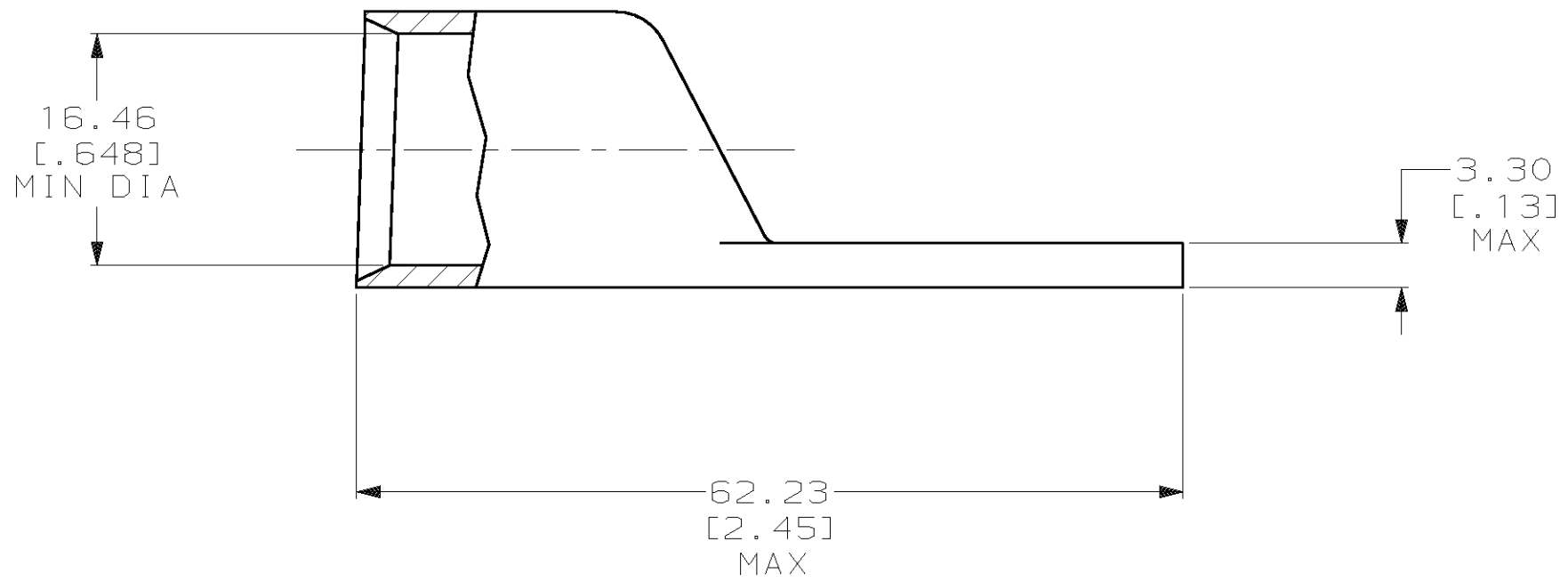


THIS DRAWING IS UNPUBLISHED. RELEASED FOR PUBLICATION, 19 .
 © COPYRIGHT 19 BY AMP INCORPORATED. ALL INTERNATIONAL RIGHTS RESERVED.

LOC		DIST		REVISIONS				DATE	APPD
ZONE	LTR	DESCRIPTION	DATE	APPD					
G	86	P	F	R	REV PER 063A-0561-01	070CT02	JR	MS	



1 CIRCULAR MIL RANGE: 190,000-231,000 CM
 2 CLEANED, UNPLATED



△	325605-5
	325605
	PART NO

DO NOT SCALE PRINT. UNLESS SPECIFIED DIMENSIONS IN mm [INCHES] TOLERANCES ON : 2 PLC DEC ± - 3 PLC DEC ± - ANGLES ± -		DR 02/28/90 DK SCHRUM		AMP Incorporated Harrisburg, PA 17105-3608	
MATERIAL COPPER PER ASTM B-75 ANNEALED		CHK 8/10/92 AJ KAUFMAN			
FINISH TIN PLATE 0.00381 [.000150] MIN THK PER MIL-T-10727		APPD 8/10/92 RE ROSER		NAME TERMINAL, AMPOWER, WIRE SIZE: 4/0 AWG	
THIS DRAWING IS A CONTROLLED DOCUMENT FOR AMP INCORPORATED. IT IS SUBJECT TO CHANGE AND THE CONTROLLING ENGINEERING ORGANIZATION SHOULD BE CONTACTED FOR THE LATEST REVISION.		APPD 8/10/92 JL MECKLEY		DRAWING NO C-325605	
		PRODUCT SPEC -		CAGE CODE 00779	
		APPLICATION SPEC -		SCALE 2:1	
		WEIGHT .098 LBS		SHEET 1 OF 1	