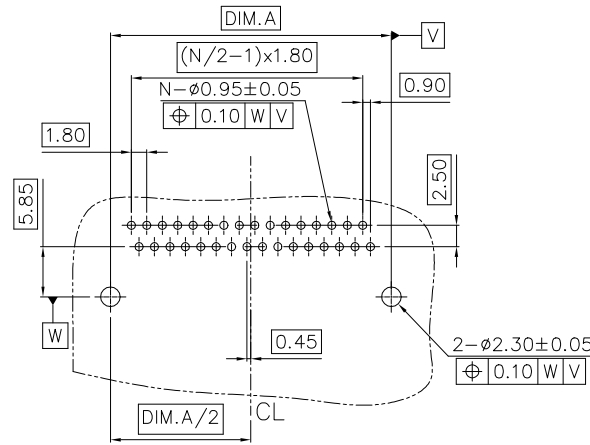
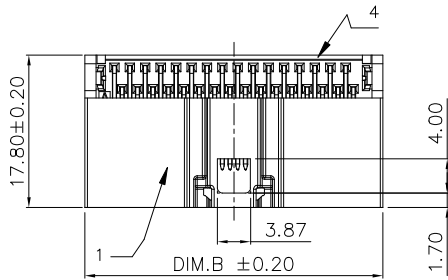
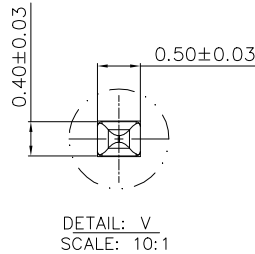
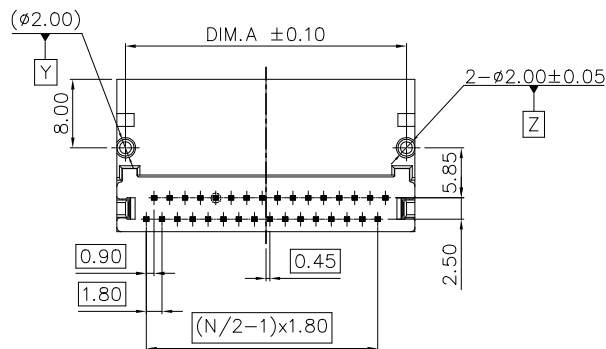
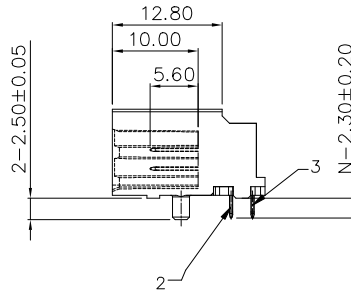
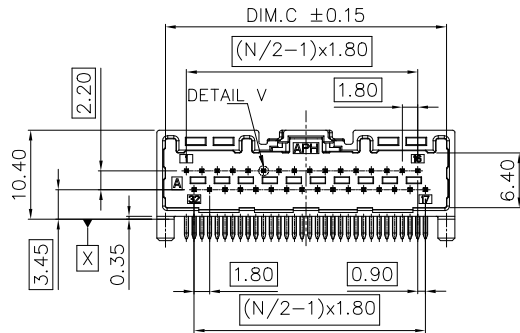


PART NUMBER
10153118-YXXXXLF



RECOMMENDED P.C.BOARD HOLE DIMENSION
TOLERANCE: ±0.05mm



NOTES:

- ELECTRICAL CHARACTERISTICS:
 - CURRENT RATING : 2A Max./PER PIN.
 - CONTACT RESISTANCE: 25mΩ MAX (INITIAL).
 - INSULATOR RESISTANCE: 100MΩ MIN.
 - DIELECTRIC WITHSTANDING VOLTAGE: 500V AC
 - OPERATION TEMPERATURE: -40 °C ~ +105 °C
- MECHANICAL CHARACTERISTICS:
 - LOCKING FORCE: AT LEAST 100N MIN.
 - DURABILITY : 10 CYCLES.
- RECOMMENDED PCB THICKNESS IS 1.60mm.
- THE HOUSING WILL WITHSTAND EXPOSURE TO 260°C PEAK TEMPERATURE FOR 20 SECONDS IN A CONVECTION, INFRA-RED OR VAPOR PHASE REFLOW.
- LEAD FREE PRODUCT MEETS EUROPEAN UNION DIRECTIVES AND OTHER COUNTRY REGULATIONS AS DISCRIBLED IN GS-22-008.
- PART MUST BE FREE OF SURFACE FLAWS, MAXIMUM BURR 0.10MM.
- PRODUCT SPECITICATION: GS-12-1535.
- PACKAGE SPECITICATION: GS-14-2668.
- PART NUMBER CODE: 10153118-Y XX X X LF

CONTACT MATERIAL&PLATING

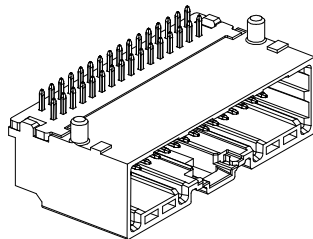
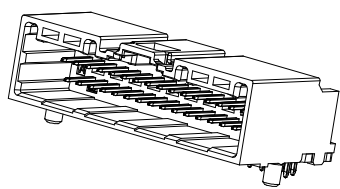
- 0-MATERIAL: PHORSPHOR BRONZE
CONTACT AREA: REFLOW Tin 1~2.5um
SOLDER AREA: REFLOW Tin 1~2.5um
 - 1-MATERIAL: BRASS
CONTACT AREA: REFLOW Tin 1~2.5um
SOLDER AREA: REFLOW Tin 1~2.5um
 - 2-MATERIAL: PHORSPHOR BRONZE
CONTACT AREA: 0.15um Gold
SOLDER AREA: MATTE Tin 1~2.5um
 - 3-MATERIAL: BRASS
CONTACT AREA: 0.15um Gold
SOLDER AREA: MATTE Tin 1~2.5um
- NUMBER OF POSITIONS
10 - 10 PINS
12 - 12 PINS
.....
40 - 40 PINS

- RoHS COMPATABLE
- CODE TYPE
A - A CODE
B - B CODE
C - C CODE
D - D CODE
- PACKAGING
K - TAPE & REEL
T - TRAY PACKAGE

4	GUIDE PLATE	HIGHT TEMPERATURE THERMOPLASTIC, COLOR, BLACK UL94 V-0	1	
3	0.5x0.4mm LOGN PIN	0.76~2.0um Nickel Under plated.	N/2	
2	0.5x0.4mm SHORT PIN		N/2	
1	HOUSING	HIGHT TEMPERATURE THERMOPLASTIC BLACK OR OTHER UL94 V-0	1	SEE SHEET 2&3
No	Components Description	Material Specifications	Q'ty	Remarks
mat'l. code		surface ISO 1302 ✓ tolerance ISO 406/ISO 1101	projection product family HPL649	
ltr ecn no dr date		tolerances unless otherwise specified	title	
A	NEW DRAWING RELEASE NICK 08/26/19	angles .0±.5	PIN HEADER,DUAL ROW,THT	
B	ELX-N-36038 DW 2/13/2020	inches .00±.25	WireLock® Series R/A Connector	
C	ELX-N-37059 DW 5/14/2020	0±2' .000±0.010	scale 1:1	
D	ELX-N-37968 DW 8/11/2020	dr NICK ZHANG 05/22/19	dwg no sheet 1 of 3 size	
E	ELX-N-39175 DW 12/2/2020	eng NICK ZHANG 05/22/19	10153118 A4	
F	ELX-N-39595 DW 1/12/2021	chr ZK HU 05/22/19	type Product Customer Drawing	
G	ELX-N-40676 DW 4/13/2021	appd TIM YAO 05/22/19		
sheet index	revision sheet	g 1~3		

	PART NO.	DIM.A	DIM.B	DIM.C	DIM.D	DIM.E		PART NO.	DIM.A	DIM.B	DIM.C	DIM.D	DIM.E		PART NO.	DIM.A	DIM.B	DIM.C	DIM.D	DIM.E
20Pos	10153118-Y20XALF	22.00	24.00	22.00	13.80	20.78	26Pos	10153118-Y26XALF	27.40	29.40	27.40	13.80	27.98	34Pos	10153118-Y34XALF	34.60	36.60	34.60	13.80	33.38
	10153118-Y20XBLF				16.60	20.78		10153118-Y26XBLF				23.80	27.98		10153118-Y34XBLF				29.20	33.38
	10153118-Y20XCLF				13.80	19.30		10153118-Y26XCLF				13.80	26.50		10153118-Y34XCLF				13.80	31.90
	10153118-Y20XDLF				15.20	19.30		10153118-Y26XDLF				22.40	26.50		10153118-Y34XDLF				27.80	31.90
22Pos	10153118-Y22XALF	23.80	25.80	23.80	13.80	22.58	28Pos	10153118-Y28XALF	29.20	31.20	29.20	13.80	26.18	36Pos	10153118-Y36XALF	36.40	38.40	36.40	13.80	35.18
	10153118-Y22XBLF				18.40	22.58		10153118-Y28XBLF				22.00	26.18		10153118-Y36XBLF				31.00	35.18
	10153118-Y22XCLF				13.80	21.10		10153118-Y28XCLF				13.80	24.70		10153118-Y36XCLF				13.80	33.70
	10153118-Y22XDLF				17.00	21.10		10153118-Y28XDLF				20.60	24.70		10153118-Y36XDLF				29.60	33.70
24Pos	10153118-Y24XALF	25.60	27.60	25.60	13.80	24.38	30Pos	10153118-Y30XALF	31.00	33.00	31.00	13.80	29.78	38Pos	10153118-Y38XALF	38.20	40.20	38.20	13.80	36.98
	10153118-Y24XBLF				20.20	24.38		10153118-Y30XBLF				25.60	29.78		10153118-Y38XBLF				32.80	36.98
	10153118-Y24XCLF				13.80	22.90		10153118-Y30XCLF				13.80	28.30		10153118-Y38XCLF				13.80	35.50
	10153118-Y24XDLF				18.80	22.90		10153118-Y30XDLF				24.20	28.30		10153118-Y38XDLF				31.40	35.50
REMARK, THIS SHEET SHOWS 20Pos. TO 40Pos.							32Pos	10153118-Y32XALF	32.80	34.80	32.80	13.80	31.58	40Pos	10153118-Y40XALF	40.00	42.00	40.00	13.80	38.78
								10153118-Y32XBLF				27.40	31.58		10153118-Y40XBLF				34.60	38.78
								10153118-Y32XCLF				13.80	30.10		10153118-Y40XCLF				13.80	37.30
								10153118-Y32XDLF				26.00	30.10		10153118-Y40XDLF				33.20	37.30

A CODE / COLOR: BLACK	B CODE / COLOR: GREEN; COLOR CODE: RAL6002	C CODE / COLOR: WHITE; COLOR CODE: RAL9001	D CODE / COLOR: BORDEAUX; COLOR CODE: RAL4004
REMARK, THIS SHEET SHOWS 20Pos. TO 40Pos.			



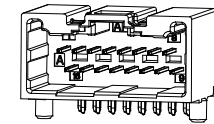
mat'l. code		surface	tolerance	projection	product family
		ISO 1302	ISO 406/ISO 1101		HPL649
ltr	ecn no dr date	tolerances unless otherwise specified		mm	title
G		.0±.5		← mm →	PIN HEADER, DUAL ROW, THT
		angles	.00±.25	scale 1:1	WireLock® Series R/A Connector
		0±2°	.000±.010		dwg no sheet 2 of 3 size
		dr	NICK ZHANG 05/22/19		10153118 A4
		eng	NICK ZHANG 05/22/19		type Product Customer Drawing
		chr	ZK HU 05/22/19		
		appd	TIM YAO 05/22/19		
sheet index	revision sheet	G	1~3		

A CODE / COLOR:BLACK					B CODE / COLOR:GREEN;COLOR CODE: RAL6002					C CODE / COLOR:WHITE;COLOR CODE: RAL9001					D CODE /COLOR:BORDEAUX;COLOR CODE:RAL4004				
14Pos.	PART NO.	DIM.A	DIM.B	DIM.C	DIM.E	16Pos.	PART NO.	DIM.A	DIM.B	DIM.C	DIM.E	18Pos.	PART NO.	DIM.A	DIM.B	DIM.C	DIM.D	DIM.E	
	10153118-Y14XALF	16.60	18.60	16.60	15.38	10153118-Y16XALF	18.40	20.40	18.40	18.40	17.18	10153118-Y18XALF	20.20	22.20	20.20	20.20	13.80	18.98	
	10153118-Y14XBLF				13.78						15.58						14.80	17.38	
	10153118-Y14XCFL				13.90						15.70						13.80	17.50	
	10153118-Y14XDLF				12.33						14.13						13.40	15.93	

A CODE / COLOR:BLACK	
10Pos.	
12Pos.	

	PART NO.	DIM.A	DIM.B	DIM.C	DIM.E
10Pos.	10153118-Y10XALF	13.00	15.00	13.00	11.78
12Pos.	10153118-Y12XALF	14.80	16.80	14.80	13.03

REMARK, FOR 10 Pos. TO 12 Pos., ONLY PROVIDE A CODE.



mat'l. code		surface ISO 1302 ✓		tolerance ISO 406/ISO 1101		projection		product family HPL649	
ltr	ecn no	dr	date	tolerances unless otherwise specified		mm		title	
G				angles	.0±.5	mm		PIN HEADER,DUAL ROW,THT	
				0±2'	.00±.25	scale 1:1		WireLock® Series R/A Connector	
					.000±.010			dwg no sheet3 of 3 size	
				dr	NICK ZHANG	05/22/19	Amphenol FCI		10153118 A4
				eng	NICK ZHANG	05/22/19			
				chr	ZK HU	05/22/19			
				appd	TIM YAO	05/22/19			
sheet index	revision	G						type Product Customer Drawing	
	sheet	1~3							