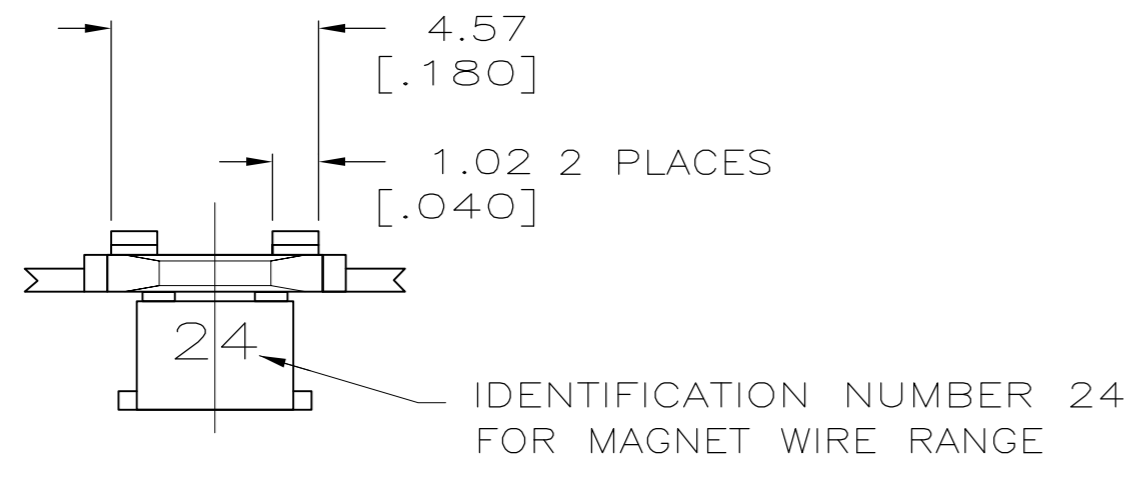
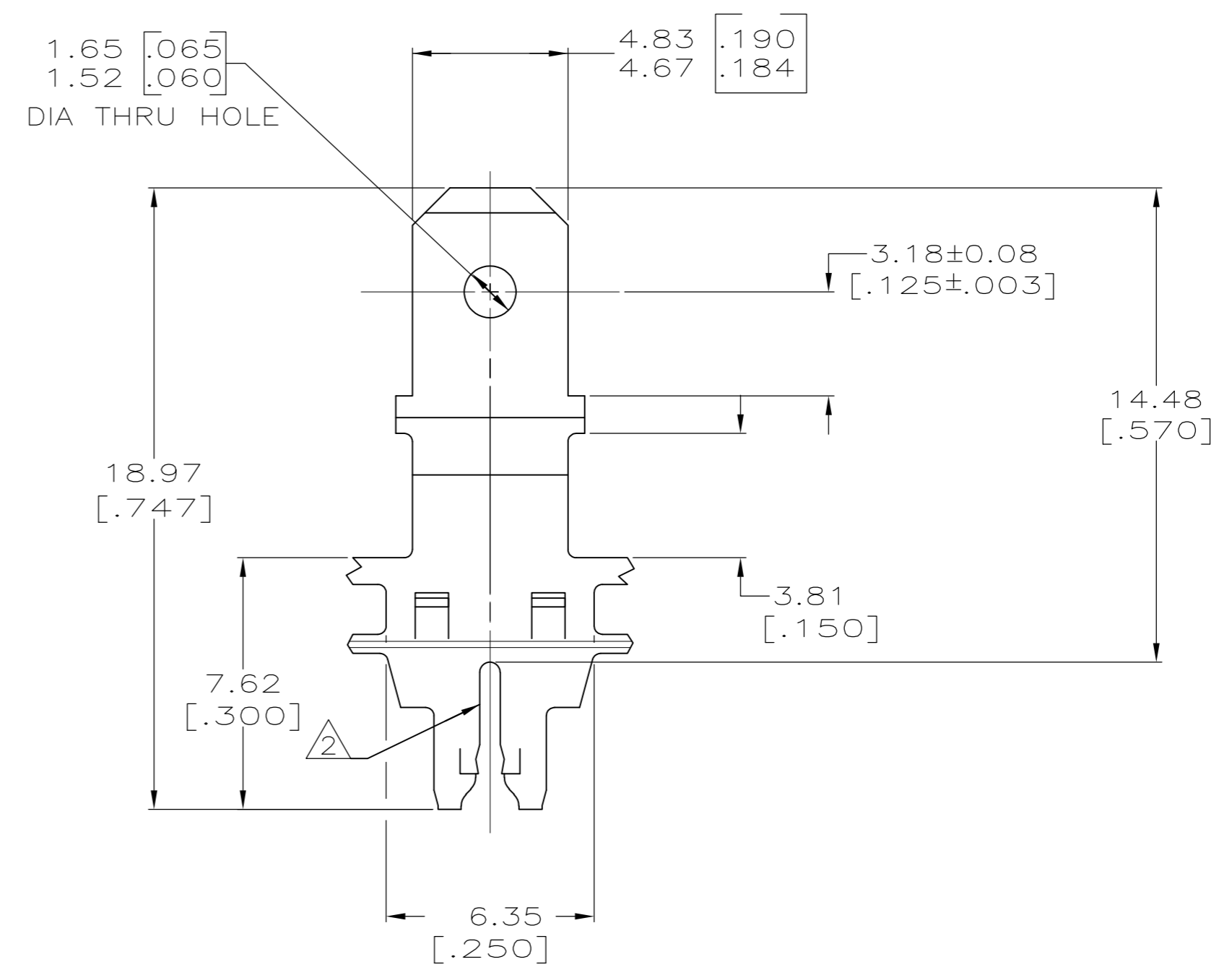
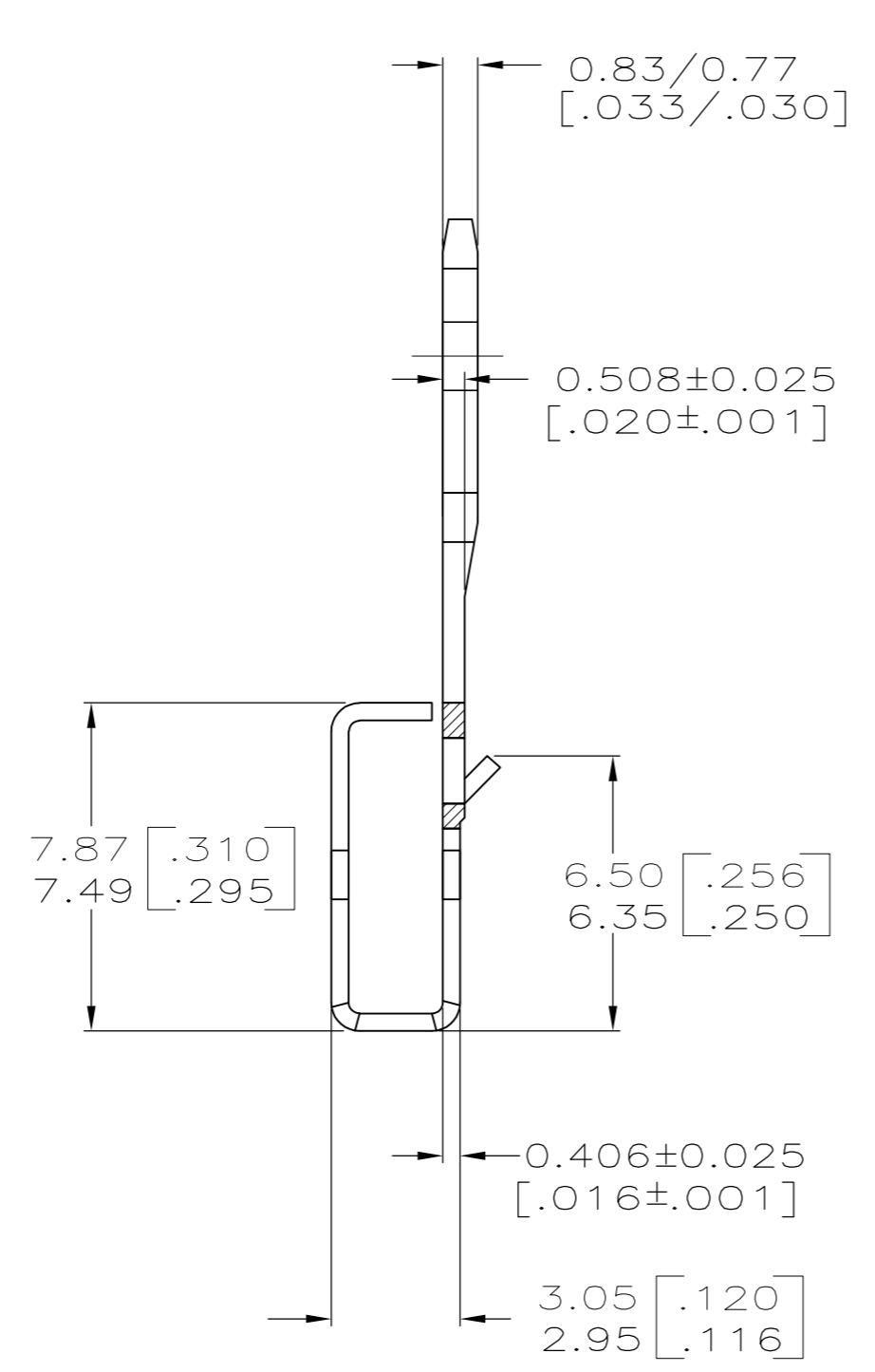
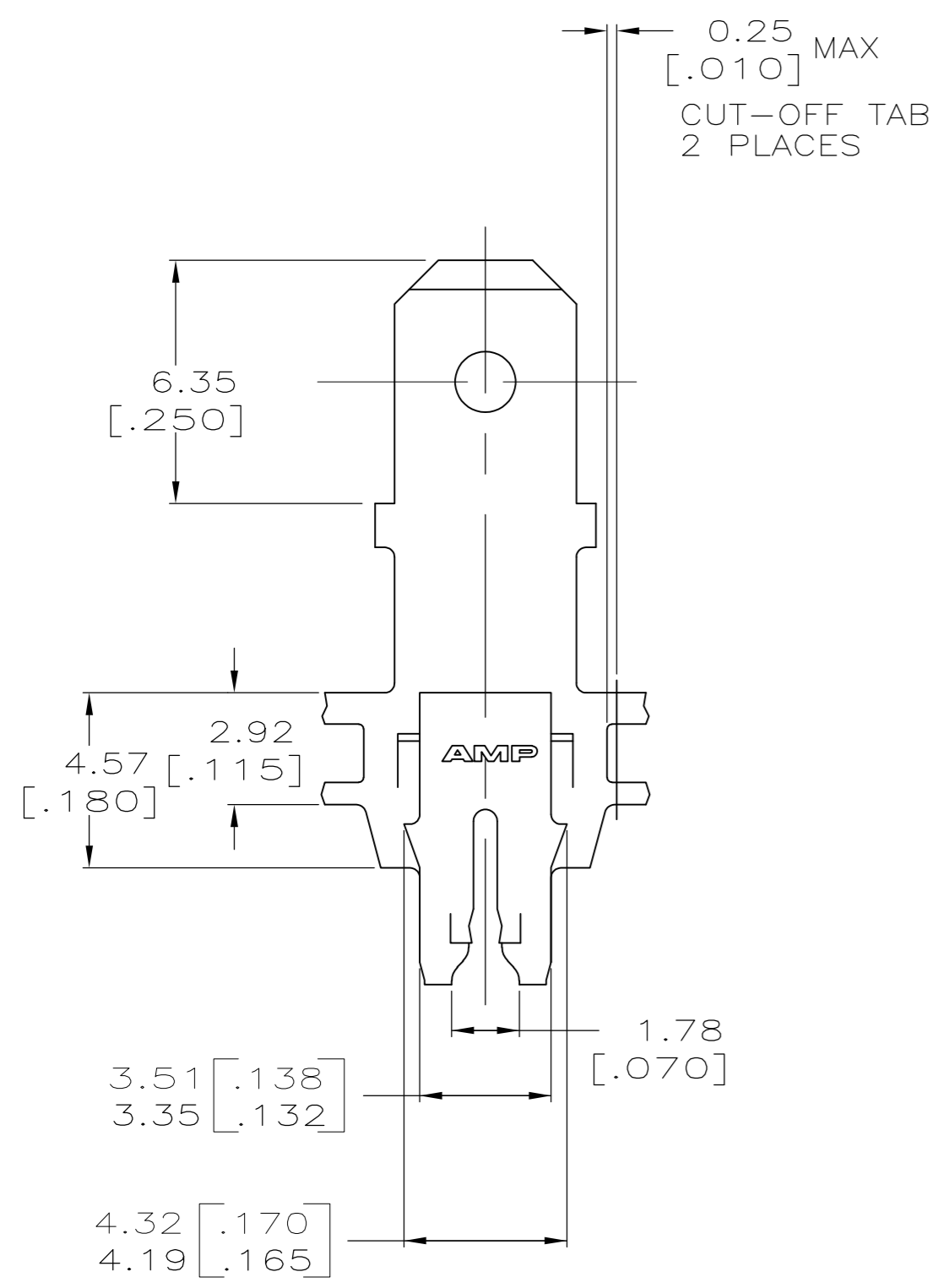


THIS DRAWING IS UNPUBLISHED. RELEASED FOR PUBLICATION
 © COPYRIGHT - TE Connectivity ALL RIGHTS RESERVED.

REVISIONS				
P	LTR	DESCRIPTION	DATE	APVD
B2		DRAFTING ERROR RECTIFICATION	25JUL2017	SV PKS



- 1 CONTINUOUS STRIP ON REELS WITH TERMINALS LOCATED ON 8.38±0.08 [.330±.003] CENTERS.
- 2 SLOT TERMINATES A SINGLE COPPER MAGNET WIRE
 COPPER RANGE: 0.91–1.15mm [#19–#17] AWG.
 ALUMINUM RANGE: 0.95–1.15mm [#18.5–#17] AWG.
 ALUMINUM WIRE RANGE APPLIES FOR POST-TIN PLATED VERSIONS ONLY.



1217994-1
 PART NUMBER

THIS DRAWING IS A CONTROLLED DOCUMENT.		DWN 02OCT2003 MICHAEL S. FEHER	TE Connectivity													
DIMENSIONS: mm [INCHES]		CHK 02OCT2003 KURT A. RANDOLPH														
TOLERANCES UNLESS OTHERWISE SPECIFIED:		APVD 02OCT2003 KURT A. RANDOLPH	NAME TAB, 4.75 [.187] FASTON™ 300 SERIES MAG-MATE™													
<table border="1"> <tr><td>0 PLC</td><td>± -</td></tr> <tr><td>1 PLC</td><td>± -</td></tr> <tr><td>2 PLC</td><td>± 0.25 [.010]</td></tr> <tr><td>3 PLC</td><td>± -</td></tr> <tr><td>4 PLC</td><td>± -</td></tr> <tr><td>ANGLES</td><td>± -</td></tr> </table>		0 PLC	± -	1 PLC	± -	2 PLC	± 0.25 [.010]	3 PLC	± -	4 PLC	± -	ANGLES	± -	PRODUCT SPEC 108-2012	SIZE CAGE CODE DRAWING NO A2 00779 C=1217994	
0 PLC	± -															
1 PLC	± -															
2 PLC	± 0.25 [.010]															
3 PLC	± -															
4 PLC	± -															
ANGLES	± -															
MATERIAL 4M PRE-MILLED BRASS		FINISH 0.002032 [.000080] MIN TIN PLATE	WEIGHT 0	RESTRICTED TO -												
CUSTOMER DRAWING			SCALE 6:1	SHEET 1 of 1 REV B2												