

# MALE PLUG M12 STRAIGHT



**NOTES:**

RATED VOLTAGE: 3, 4 contacts 250V

5 contacts 60V

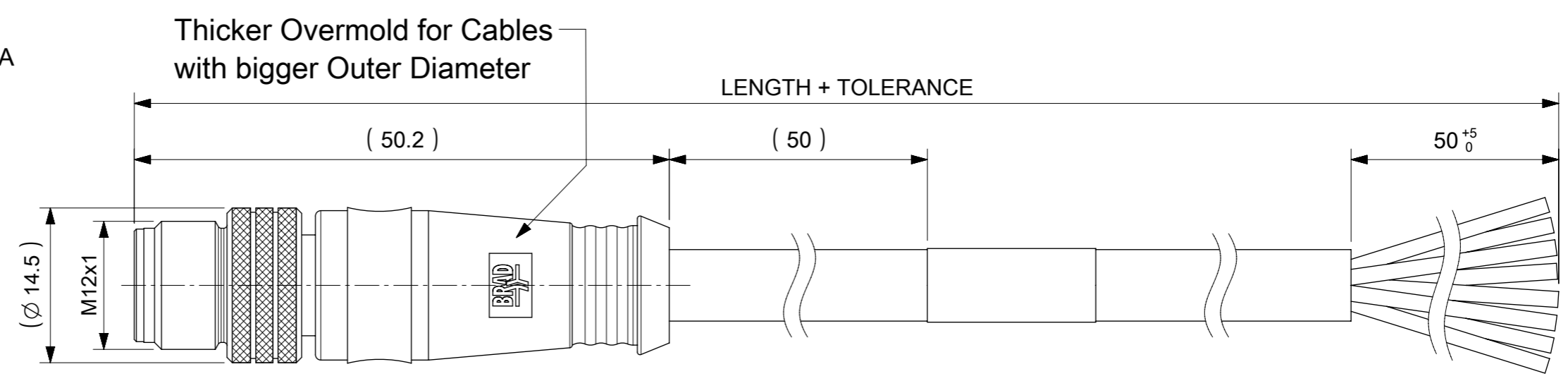
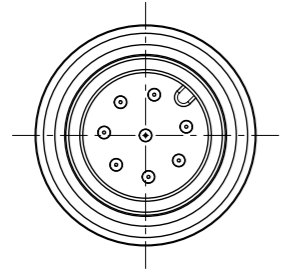
8 contacts 30V

RATED CURRENT: 3, 4, 5 contacts 4A

8 contacts 2A

PROTECTION CLASS: IP 67

TEMPERATURE: -25°C / +85°C



**CONTACTS POSITION FRONT VIEW:**

| 3 CONTACTS |       | 4 CONTACTS |       | 5 CONTACTS |                      | 8 CONTACTS |        |
|------------|-------|------------|-------|------------|----------------------|------------|--------|
|            |       |            |       |            |                      |            |        |
| PIN        | WIRE  | PIN        | WIRE  | PIN        | WIRE                 | PIN        | WIRE   |
| 1          | BROWN | 1          | BROWN | 1          | BROWN                | 1          | WHITE  |
| 2          | ---   | 2          | WHITE | 2          | WHITE                | 2          | BROWN  |
| 3          | BLUE  | 3          | BLUE  | 3          | BLUE                 | 3          | GREEN  |
| 4          | BLACK | 4          | BLACK | 4          | BLACK                | 4          | YELLOW |
| 5          | ---   | 5          | ---   | 5          | GREY OR GREEN/YELLOW | 5          | GREY   |
|            |       |            |       |            |                      | 6          | PINK   |
|            |       |            |       |            |                      | 7          | BLUE   |
|            |       |            |       |            |                      | 8          | RED    |

CODING REQUIRED TO IEC 61076-2-101

**FOR OPTIONS SEE - NUMERICAL CODE - ON SHEET 2**

|      |               |                   |             |                      |
|------|---------------|-------------------|-------------|----------------------|
| 7    | SEE MATRIX    | D CARRIER         | PVC         | TRANSPARENT          |
| 6    | 1             | LABEL YELLOW      | VINYL       | ---                  |
| 5    | -             | CABLE             | SEE SHEET 2 | ---                  |
| 4    | -             | OVERMOLDING BLACK | TPU         | ---                  |
| 3    | 1             | COUPLING NUT MALE | BRASS       | NICKEL               |
| 2    | 1             | INSERT MALE BLACK | PUR         | ---                  |
| 1    | 3 / 4 / 5 / 8 | CONTACT M12 MALE  | BRASS       | SELECTIVE Au OVER Ni |
| ITEM | QTY.          | DESCRIPTION       | MATERIAL    | FINISH               |

THIS DRAWING CONTAINS INFORMATION THAT IS PROPRIETARY TO MOLEX ELECTRONIC TECHNOLOGIES, LLC AND SHOULD NOT BE USED WITHOUT WRITTEN PERMISSION

DIMENSION UNITS: mm SCALE: 2:1

GENERAL TOLERANCES (UNLESS SPECIFIED):

ANGULAR TOL ± 1.0°

4 PLACES ±

3 PLACES ±

2 PLACES ± 0.05

1 PLACE ± 0.3

0 PLACES ± 0.5

DRAFT WHERE APPLICABLE MUST REMAIN WITHIN DIMENSIONS

THIRD ANGLE PROJECTION

DRAWING: A3-SIZE

SERIES: 120065

MATERIAL NUMBER: SEE TABLE

CUSTOMER: GENERAL MARKET

SHEET NUMBER: 1 OF 4

EC NO: 732259

DRWN: SANTHN 2022/12/20

CHK'D: GGA 2022/12/21

APPR: GGA 2022/12/21

INITIAL REVISION:

DRWN: JMARSZALEK 2016/01/12

APPR: RSILLER 2016/04/08

DOCUMENT NUMBER: 1200659185

DOC TYPE: PSD

DOC PART: 000

REVISION: A11

**molex**

CSE M12 XP AC MA STR XM SE UNSH

PRODUCT CUSTOMER DRAWING

ENGINEERING NO. - NUMERICAL CODE (Available parts see PART LIST table. Others on request).

8 0 X 0 0 6 X X X X X X X X

OPTIONS

80=M12x1 Single ended

Contacts:  
3=3 Contacts  
4=4 Contacts  
5=5 Contacts  
8=8 Contacts

Heads style:  
006=Plug Male Straight

Cable type: See Table

Units:  
M=Meter

Length  
Examples:  
005=0.5 unit  
010=1 unit  
100=10 units

Overmold color:  
Blank (Standard)=Black  
A=Grey / G=Black / Y=Yellow  
For Cable A09=Yellow

Coupling Nut:  
Blank (Standard) & 3=Knurled Brass Ni Plated  
1 or 8=Hexagonal Stainless steel  
5=Knurled Derlin  
7=Knurled Brass Ni Plated, Teflon Coated  
Blank=7 for cables I20, I26, K03, K05, P82, S26  
9=Knurled / Hexagonal Brass Ni Plated

H= 2 pcs. of I/D Carrier PVC Transparent

COUPLING NUTS

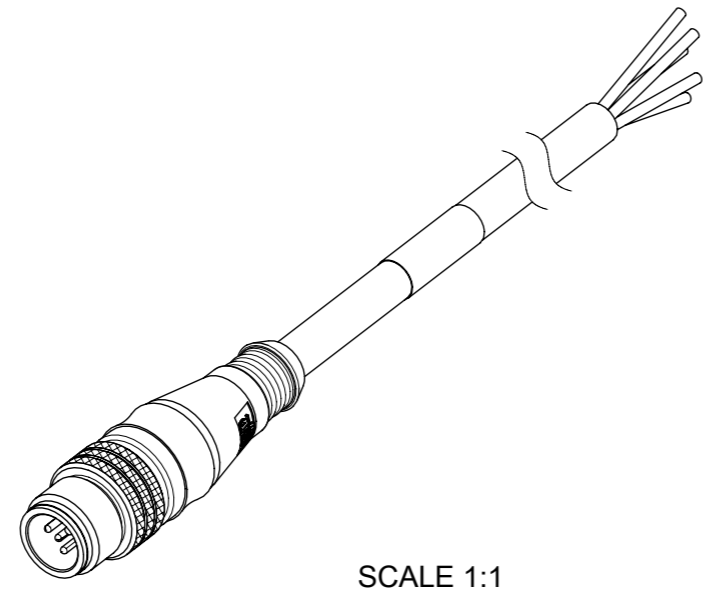


CABLE INFORMATION (for more information see Cable Data Sheet).

| CABLE TYPE | NO. OF WIRES  | CROSS SECTION       | CABLE JACKET    | UL             | CSA                      | STATIC: TEMP. / BENDING RADIUS | DYNAMIC: TEMP. / BENDING RADIUS | DRAG CHAIN  | SHIELD |
|------------|---------------|---------------------|-----------------|----------------|--------------------------|--------------------------------|---------------------------------|---|--------|
| E02        | 3 / 4 / 5 / 8 | 0.25mm <sup>2</sup> | PVC BLACK       | UL 2464/1729   | C22.2 I/II A/B 80°C/300V | -30°C to +80°C, 10xO.D.        | -10°C to +80°C, 15xO.D.         | -   | -      |
| E03        | 3 / 4 / 5     | 0.34mm <sup>2</sup> | PVC BLACK       | UL 2464/1729   | C22.2 I/II A/B 80°C/300V | -30°C to +80°C, 10xO.D.        | -10°C to +80°C, 15xO.D.         | -   | -      |
| H08        | 3 / 4 / 5 / 8 | 0.25mm <sup>2</sup> | PUR BLACK LS0H  | UL 21198/10493 | C22.2 I/II A/B 80°C/300V | -40°C to +80°C, 5xO.D.         | -25°C to +80°C, 10xO.D.         | 2 000 000 cycles at 20°C, Temp. range +5°C to +60°C | -      |
| H09        | 3 / 4 / 5     | 0.34mm <sup>2</sup> | PUR BLACK LS0H  | UL 21198/10493 | C22.2 I/II A/B 80°C/300V | -40°C to +80°C, 5xO.D.         | -25°C to +80°C, 10xO.D.         | 2 000 000 cycles at 20°C, Temp. range +5°C to +60°C | -      |
| P02        | 3 / 4 / 5 / 8 | 0.25mm <sup>2</sup> | PUR / PVC BLACK | -              | -                        | -30°C to +80°C, 7xO.D.         | -5°C to +80°C, 15xO.D.          | -   | -      |
| P03        | 3 / 4 / 5     | 0.34mm <sup>2</sup> | PUR / PVC BLACK | -              | -                        | -30°C to +80°C, 7xO.D.         | -5°C to +80°C, 15xO.D.          | -   | -      |
| A09        | 3             | 0.34mm <sup>2</sup> | PVC YELLOW      | -              | -                        | -                              | -                               | -   | -      |
| K03        | 5             | 0.82mm <sup>2</sup> | TPE YELLOW      | -              | -                        | -                              | -                               | -   | -      |
| K05        | 4             | 0.38mm <sup>2</sup> | TPE YELLOW      | -              | -                        | -                              | -                               | -   | -      |

CABLE LENGTH TOLERANCES

| OVER    | UP TO AND INCLUDING | TOLERANCES             |
|---------|---------------------|------------------------|
| 0       | 305mm               | +19mm                  |
| 305mm   | 915mm               | +45mm                  |
| 915mm   | 1830mm              | +56mm                  |
| 1830mm  | 3660mm              | +89mm                  |
| 3660mm  | 7320mm              | +165mm                 |
| 7320mm  | 14640mm             | +317mm                 |
| 14640mm | 30500mm             | +610mm                 |
| 30500mm | >                   | +2% of finished length |



THIS DRAWING CONTAINS INFORMATION THAT IS PROPRIETARY TO MOLEX ELECTRONIC TECHNOLOGIES, LLC AND SHOULD NOT BE USED WITHOUT WRITTEN PERMISSION


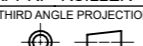
|  |         |   |                                 |  |  |
|--|---------|---|---------------------------------|--|--|
| DIMENSION UNITS                                      | SCALE   | CURRENT REV DESC: REMOVED OBSOLETE PART NUMBER AS PER PCN#512871. | <b>molex</b>                    |  |  |
| mm   | 1:1     |   |                                 |  |  |
| GENERAL TOLERANCES (UNLESS SPECIFIED)                |         |   | CSE M12 XP AC MA STR XM SE UNSH |  |  |
| ANGULAR TOL  | ± 1.0 ° | EC NO: 732259   | PRODUCT CUSTOMER DRAWING        |  |  |
| 4 PLACES   | ±       | DRWN: SANTHN 2022/12/20   | DOCUMENT NUMBER                 |  |  |
| 3 PLACES   | ±       | CHK'D: GGA 2022/12/21   | 1200659185                      |  |  |
| 2 PLACES   | ± 0.05  | APPR: GGA 2022/12/21  | DOC TYPE DOC PART REVISION      |  |  |
| 1 PLACE  | ± 0.3   | INITIAL REVISION:   | PSD 000 A11                     |  |  |
| 0 PLACES   | ± 0.5   | DRWN: JMARSZALEK 2016/01/12                                       | MATERIAL NUMBER                 |  |  |
| DRAFT WHERE APPLICABLE MUST REMAIN WITHIN DIMENSIONS |         |   | CUSTOMER                        |  |  |
| THIRD ANGLE PROJECTION                               |         |   | GENERAL MARKET                  |  |  |
| DRAWING  |         |   | SHEET NUMBER                    |  |  |
| A3-SIZE  |         |   | 2 OF 4                          |  |  |
| SERIES   |         |   | 120065                          |  |  |

# PART LIST

| No. | Part No.   | Engineering No.  | Cable Length | No. | Part No.   | Engineering No.   | Cable Length | No. | Part No.   | Engineering No.  | Cable Length | No. | Part No.   | Engineering No. | Cable Length |
|-----|------------|------------------|--------------|-----|------------|-------------------|--------------|-----|------------|------------------|--------------|-----|------------|-----------------|--------------|
| 1   | 1200060046 | 804006E03M120    | 12m          | 36  | 1200062596 | 805006E03M003     | 0.3m         | 71  | 1200652158 | 805006P03M100    | 10m          | 106 | 1200658731 | 804006H09M040   | 4m           |
| 2   | 1200060047 | 804006P03M050    | 5m           | 37  | 1200062631 | 805006P03M120     | 12m          | 72  | 1200655011 | 805006P03M005    | 0.5m         | 107 | 1200658732 | 804006H09M050   | 5m           |
| 3   | 1200060240 | 803006E03M020    | 2m           | 38  | 1200062799 | 805006E03M010     | 1m           | 73  | 1200655051 | 805006E03M006    | 0.6m         | 108 | 1200658733 | 804006H09M100   | 10m          |
| 4   | 1200060241 | 803006E03M050    | 5m           | 39  | 1200062830 | 804006E03M0205    | 2m           | 74  | 1200658055 | 803006P03M003    | 0.3m         | 109 | 1200658741 | 805006H09M010   | 1m           |
| 5   | 1200060242 | 803006E03M100    | 10m          | 40  | 1200062877 | 804006E03M0505    | 5m           | 75  | 1200658092 | 805006P03M010    | 1m           | 110 | 1200658742 | 805006H09M015   | 1.5m         |
| 6   | 1200060256 | 803006P03M002    | 0.2m         | 41  | 1200062920 | 804006E03M1005    | 10m          | 76  | 1200658109 | 808006P02M003    | 0.3m         | 111 | 1200658743 | 805006H09M020   | 2m           |
| 7   | 1200060257 | 803006P03M020    | 2m           | 42  | 1200063018 | 803006P03M0303    | 3m           | 77  | 1200658209 | 805006E03M0061 * | 0.6m         | 112 | 1200658744 | 805006H09M030   | 3m           |
| 8   | 1200060260 | 803006P03M030    | 3m           | 43  | 1200063077 | 804006E02M005     | 0.5m         | 78  | 1200658247 | 803006H09M100    | 10m          | 113 | 1200658745 | 805006H09M040   | 4m           |
| 9   | 1200060261 | 803006P03M050    | 5m           | 44  | 1200063470 | 804006E03M010H    | 1m           | 79  | 1200658248 | 803006H09M050    | 5m           | 114 | 1200658746 | 805006H09M050   | 5m           |
| 10  | 1200060558 | 804006E03M006    | 0.6m         | 45  | 1200063472 | 804006P03M200     | 20m          | 80  | 1200658463 | 804006P03M150    | 15m          | 115 | 1200658747 | 805006H09M100   | 10m          |
| 11  | 1200060559 | 804006E03M010    | 1m           | 46  | 1200063731 | 805006P03M0065    | 0.6m         | 81  | 1200658500 | 805006E03M1001   | 10m          | 116 | 1200658784 | 804006E03M0101H | 1m           |
| 12  | 1200060560 | 804006E03M020    | 2m           | 47  | 1200063732 | 804006E03M0501    | 5m           | 82  | 1200658518 | 804006E03M0201H  | 2m           | 117 | 1200658785 | 804006E03M1001H | 10m          |
| 13  | 1200060561 | 804006E03M030    | 3m           | 48  | 1200063733 | 804006E03M1001 *  | 10m          | 83  | 1200658519 | 804006E03M0501H  | 5m           | 118 | 1200658876 | 804006E03M150   | 15m          |
| 14  | 1200060562 | 804006E03M050    | 5m           | 49  | 1200063856 | 804006E03M1501 *  | 15m          | 84  | 1200658526 | 803006E03M005    | 0.5m         | 119 | 1200658881 | 803006E03M050G  | 5m           |
| 15  | 1200060563 | 804006E03M100    | 10m          | 50  | 1200063941 | 804006P03M0401    | 4m           | 85  | 1200658542 | 804006E03M070    | 7m           | 120 | 1200658888 | 804006E03M020H  | 2m           |
| 16  | 1200060570 | 804006P03M020    | 2m           | 51  | 1200063953 | 805006E03M035     | 3.5m         | 86  | 1200658546 | 808006E02M050    | 5m           | 121 | 1200658890 | 804006H09M003   | 0.3m         |
| 17  | 1200060571 | 804006P03M030    | 3m           | 52  | 1200063969 | 804006E03M2001 ** | 20m          | 87  | 1200658565 | 803006E03M010    | 1m           | 122 | 1200658892 | 803006H09M003   | 0.3m         |
| 18  | 1200060572 | 804006P03M100    | 10m          | 53  | 1200064160 | 803006P03M005     | 0.5m         | 88  | 1200658566 | 803006E03M040    | 4m           | 123 | 1200658893 | 804006E03M050H  | 5m           |
| 19  | 1200060667 | 805006E03M020    | 2m           | 54  | 1200064231 | 804006E03M2501 *  | 25m          | 89  | 1200658571 | 804006E03M040    | 4m           | 124 | 1200658895 | 804006H09M200   | 20m          |
| 20  | 1200060668 | 805006E03M030    | 3m           | 55  | 1200064240 | 804006P03M070     | 7m           | 90  | 1200658576 | 808006E02M010    | 1m           | 125 | 1200658897 | 805006E03M200   | 20m          |
| 21  | 1200060680 | 805006P03M020    | 2m           | 56  | 1200064251 | 804006E03M003     | 0.3m         | 91  | 1200658612 | 803006P03M040    | 4m           | 126 | 1200658913 | 805006P03M030   | 3m           |
| 22  | 1200060682 | 805006P03M050    | 5m           | 57  | 1200064252 | 804006E03M005     | 0.5m         | 92  | 1200658613 | 803006P03M100    | 10m          | 127 | 1200659034 | 804006E02M050   | 5m           |
| 23  | 1200061345 | 805006E03M050    | 5m           | 58  | 1200064261 | 804006P03M011     | 1.1m         | 93  | 1200658653 | 803006H09M010    | 1m           | 128 | 1200659036 | 804006E02M070   | 7m           |
| 24  | 1200061611 | 803006E03M150    | 15m          | 59  | 1200064347 | 804006P03M007     | 0.7m         | 94  | 1200658654 | 803006H09M015    | 1.5m         | 129 | 1200659037 | 804006E02M100   | 10m          |
| 25  | 1200061633 | 804006P03M010    | 1m           | 60  | 1200064353 | 803006E03M003     | 0.3m         | 95  | 1200658655 | 803006H09M020    | 2m           | 130 | 1200659041 | 808006E02M005   | 0.5m         |
| 26  | 1200061853 | 803006P03M010    | 1m           | 61  | 1200064393 | 804006P03M020G    | 2m           | 96  | 1200658656 | 803006H09M030    | 3m           | 131 | 1200659109 | 804006E02M020   | 2m           |
| 27  | 1200061855 | 804006P03M006    | 0.6m         | 62  | 1200064464 | 803006P03M005G    | 0.5m         | 97  | 1200658657 | 803006H09M040    | 4m           | 132 | 1200659111 | 803006E02M050   | 5m           |
| 28  | 1200062017 | 803006E03M030    | 3m           | 63  | 1200065002 | 805006P03M0201    | 2m           | 98  | 1200658659 | 808006H08M015    | 1.5m         | 133 | 1200659141 | 805006H09M200   | 20m          |
| 29  | 1200062082 | 805006P03M060    | 6m           | 64  | 1200650964 | 808006P02M020     | 2m           | 99  | 1200658660 | 808006H08M020    | 2m           | 134 | 1200659142 | 805006H09M300   | 30m          |
| 30  | 1200062122 | 804006E03M0201 * | 2m           | 65  | 1200650967 | 808006P02M040     | 4m           | 100 | 1200658661 | 808006H08M030    | 3m           | 135 | 1200659145 | 805006E03M300   | 30m          |
| 31  | 1200062209 | 805006E03M100    | 10m          | 66  | 1200650968 | 808006P02M050     | 5m           | 101 | 1200658663 | 808006H08M050    | 5m           | 136 | 1200659149 | 805006H09M005   | 0.5m         |
| 32  | 1200062351 | 803006E03M0505   | 5m           | 67  | 1200650969 | 808006P02M100     | 10m          | 102 | 1200658727 | 804006H09M010    | 1m           | 137 | 1200659154 | 804006P03M100Y  | 10m          |
| 33  | 1200062352 | 803006E03M1005   | 10m          | 68  | 1200651763 | 808006P02M030     | 3m           | 103 | 1200658728 | 804006H09M015    | 1.5m         | 138 | 1200659185 | 805006E03M080   | 8m           |
| 34  | 1200062426 | 804006E03M200    | 20m          | 69  | 1200652141 | 804006P03M040     | 4m           | 104 | 1200658729 | 804006H09M020    | 2m           | 139 | 1200659186 | 804006E03M060   | 6m           |
| 35  | 1200062560 | 808006P02M005    | 0.5m         | 70  | 1200652157 | 805006P03M040     | 4m           | 105 | 1200658730 | 804006H09M030    | 3m           | 140 | 1200659190 | 804006P03M250   | 25m          |

**NOTES:**

- \* - Part No. with Yellow PVC overmolding
- \*\* - Part No. with Black PVC overmolding

|   |         |  |  |          |  |          |  |              |  |
|---|---------|--|--|----------|--|----------|--|--------------|--|
| THIS DRAWING CONTAINS INFORMATION THAT IS PROPRIETARY TO MOLEX ELECTRONIC TECHNOLOGIES, LLC AND SHOULD NOT BE USED WITHOUT WRITTEN PERMISSION |         |  |  |          |  |          |  |              |  |
| DIMENSION UNITS   | SCALE   | CURRENT REV DESC: REMOVED OBSOLETE PART NUMBER AS PER PCN#512871.  |  |          |  |          |  |              |  |
| mm  | 1:1     | <br>CSE M12 XP AC MA STR XM SE UNSH |  |          |  |          |  |              |  |
| GENERAL TOLERANCES (UNLESS SPECIFIED)   |         |  |  |          |  |          |  |              |  |
| ANGULAR TOL   | ± 1.0 ° | EC NO: 732259<br>DRWN: SANTHN 2022/12/20<br>CHK'D: GGA 2022/12/21<br>APPR: GGA 2022/12/21                                |  |          |  |          |  |              |  |
| 4 PLACES  | ±       |  |  |          |  |          |  |              |  |
| 3 PLACES  | ±       | INITIAL REVISION:<br>DRWN: JMARSZALEK 2016/01/12<br>APPR: RSILLER 2016/04/08   |  |          |  |          |  |              |  |
| 2 PLACES  | ± 0.05  |  |  |          |  |          |  |              |  |
| 1 PLACE   | ± 0.3   | DOCUMENT NUMBER  |  | DOC TYPE |  | DOC PART |  | REVISION     |  |
| 0 PLACES  | ± 0.5   | 1200659185   |  | PSD      |  | 000      |  | A11          |  |
| DRAFT WHERE APPLICABLE MUST REMAIN WITHIN DIMENSIONS  |         | THIRD ANGLE PROJECTION   |  | DRAWING  |  | SERIES   |  | SHEET NUMBER |  |
|   |         |                                     |  | A3-SIZE  |  | 120065   |  | 3 OF 4       |  |

|                 |    |              |            |          |
|-----------------|----|--------------|------------|----------|
| DOCUMENT STATUS | P1 | RELEASE DATE | 2022/12/21 | 07:37:46 |
|-----------------|----|--------------|------------|----------|

# PART LIST


| No. | Part No.   | Engineering No. | Cable Length |
|-----|------------|-----------------|--------------|
| 141 | 1200659191 | 804006P03M300   | 30m          |
| 142 | 1200659192 | 804006P03M350   | 35m          |
| 143 | 1200659193 | 804006P03M400   | 40m          |
| 144 | 1200659194 | 804006E03M250   | 25m          |
| 145 | 1200659195 | 804006E03M300   | 30m          |
| 146 | 1200659196 | 804006E03M350   | 35m          |
| 147 | 1200659197 | 804006E03M400   | 40m          |
| 148 | 1200659198 | 804006E03M450   | 45m          |
| 149 | 1200659224 | 805006P03M200   | 20m          |
| 150 | 1200659225 | 805006P03M300   | 30m          |
| 151 | 1200659254 | 804006E03M500   | 50m          |
| 152 | 1200659281 | 805006P03M150   | 15m          |
| 153 | 1200659285 | 805006E03M150   | 15m          |
| 154 | 1200659316 | 805006P03M005H  | 0.5m         |
| 155 | 1200659317 | 805006P03M007H  | 0.7m         |
| 156 | 1200659318 | 805006P03M010H  | 1m           |
| 157 | 1200659319 | 805006P03M020H  | 2m           |
| 158 | 1200659320 | 805006P03M050H  | 5m           |
| 159 | 1200659321 | 805006P03M100H  | 10m          |
| 160 | 1200659322 | 805006P03M150H  | 15m          |
| 161 | 1200659323 | 805006P03M200H  | 20m          |
| 162 | 1200659324 | 805006P03M300H  | 30m          |
| 163 | 1200659325 | 805006P03M350H  | 35m          |
| 164 | 1200659367 | 805006E03M015   | 1.5m         |
| 165 | 1200659454 | 805006E03M045   | 4.5m         |
| 166 | 1200659455 | 805006E03M075   | 7.5m         |
| 167 | 1200659513 | 805006E03M030H  | 3m           |
| 168 | 1200659514 | 805006E03M045H  | 4.5m         |
| 169 | 1200659515 | 805006E03M075H  | 7.5m         |
| 170 | 1200659550 | 804006E03M120H  | 12m          |
| 171 | 1200659551 | 805006E03M010H  | 1m           |
| 172 | 1200659557 | 804006P03M003   | 0.3m         |
| 173 | 1200659612 | 804006P03M080   | 8m           |
| 174 | 1200659692 | 803006E02M020   | 2m           |
| 175 | 1200659983 | 804006E02M075   | 7.5m         |

| No. | Part No.   | Engineering No. | Cable Length |
|-----|------------|-----------------|--------------|
| 176 | 1200659991 | 804006E02M0705  | 7m           |
| 177 | 1200656021 | 804006H09M050H  | 5m           |
| 178 | 1200659539 | 808006E02M100   | ** 10m       |
| 179 | 1200656293 | 803006E03M080   | 8m           |
| 180 | 1200656294 | 803006E03M120   | 12m          |
| 181 | 1200656295 | 804006E03M080   | 8m           |
| 182 | 1200656297 | 808006H08M005   | 0.5m         |
| 183 | 1200650843 | 803006A09M0208  | * 2m         |
| 184 | 1200651374 | 805006K03M020   | 2m           |
| 185 | 1200652151 | 805006K03M050   | 5m           |
| 186 | 1200651129 | 804006K05M020   | 2m           |
| 187 | 1200651131 | 804006K05M050   | 5m           |
| 188 | 1200651133 | 804006K05M100   | 10m          |
| 189 | 1200657191 | 805006E03M005   | 0.5m         |
| 190 | 1200656974 | 805006H09M003   | 0.3m         |
| 191 | 1200657157 | 804006P03M002   | 0.2m         |
| 192 | 1200657158 | 804006P03M005   | 0.5m         |
| 193 | 1200657159 | 804006E03M015   | 1.5m         |
| 194 | 1200657263 | 805006H09M250   | 25m          |
| 195 |            |                 |              |
| 196 |            |                 |              |
| 197 |            |                 |              |
| 198 |            |                 |              |
| 199 |            |                 |              |
| 200 |            |                 |              |
| 201 |            |                 |              |
| 202 |            |                 |              |
| 203 |            |                 |              |
| 204 |            |                 |              |
| 205 |            |                 |              |
| 206 |            |                 |              |
| 207 |            |                 |              |
| 208 |            |                 |              |
| 209 |            |                 |              |
| 210 |            |                 |              |

| No. | Part No. | Engineering No. | Cable Length |
|-----|----------|-----------------|--------------|
| 211 |          |                 |              |
| 212 |          |                 |              |
| 213 |          |                 |              |
| 214 |          |                 |              |
| 215 |          |                 |              |
| 216 |          |                 |              |
| 217 |          |                 |              |
| 218 |          |                 |              |
| 219 |          |                 |              |
| 220 |          |                 |              |
| 221 |          |                 |              |
| 222 |          |                 |              |
| 223 |          |                 |              |
| 224 |          |                 |              |
| 225 |          |                 |              |
| 226 |          |                 |              |
| 227 |          |                 |              |
| 228 |          |                 |              |
| 229 |          |                 |              |
| 230 |          |                 |              |
| 231 |          |                 |              |
| 232 |          |                 |              |
| 233 |          |                 |              |
| 234 |          |                 |              |
| 235 |          |                 |              |
| 236 |          |                 |              |
| 237 |          |                 |              |
| 238 |          |                 |              |
| 239 |          |                 |              |
| 240 |          |                 |              |
| 241 |          |                 |              |
| 242 |          |                 |              |
| 243 |          |                 |              |
| 244 |          |                 |              |
| 245 |          |                 |              |

| No. | Part No. | Engineering No. | Cable Length |
|-----|----------|-----------------|--------------|
| 246 |          |                 |              |
| 247 |          |                 |              |
| 248 |          |                 |              |
| 249 |          |                 |              |
| 250 |          |                 |              |
| 251 |          |                 |              |
| 252 |          |                 |              |
| 253 |          |                 |              |
| 254 |          |                 |              |
| 255 |          |                 |              |
| 256 |          |                 |              |
| 257 |          |                 |              |
| 258 |          |                 |              |
| 259 |          |                 |              |
| 260 |          |                 |              |
| 261 |          |                 |              |
| 262 |          |                 |              |
| 263 |          |                 |              |
| 264 |          |                 |              |
| 265 |          |                 |              |
| 266 |          |                 |              |
| 267 |          |                 |              |
| 268 |          |                 |              |
| 269 |          |                 |              |
| 270 |          |                 |              |
| 271 |          |                 |              |
| 272 |          |                 |              |
| 273 |          |                 |              |
| 274 |          |                 |              |
| 275 |          |                 |              |
| 276 |          |                 |              |
| 277 |          |                 |              |
| 278 |          |                 |              |
| 279 |          |                 |              |
| 280 |          |                 |              |

NOTES:  
 \* - Part No. with Yellow PVC overmolding  
 \*\* - Part No. with Black PVC overmolding

|   |         |  |  |                        |  |                   |  |               |          |                 |          |              |
|---|---------|--|--|------------------------|--|-------------------|--|---------------|----------|-----------------|----------|--------------|
| THIS DRAWING CONTAINS INFORMATION THAT IS PROPRIETARY TO MOLEX ELECTRONIC TECHNOLOGIES, LLC AND SHOULD NOT BE USED WITHOUT WRITTEN PERMISSION |         |  |  |                        |  |                   |  |               |          |                 |          |              |
| DIMENSION UNITS   | SCALE   | CURRENT REV DESC: REMOVED OBSOLETE PART NUMBER AS PER PCN#512871.  |  |                        |  |                   |  |               |          |                 |          |              |
| mm  | 1:1     | <br>CSE M12 XP AC MA STR XM SE UNSH<br>PRODUCT CUSTOMER DRAWING |  |                        |  |                   |  |               |          |                 |          |              |
| GENERAL TOLERANCES (UNLESS SPECIFIED)   |         |  |  |                        |  |                   |  |               |          |                 |          |              |
| ANGULAR TOL   | ± 1.0 ° | EC NO: 732259  |  | 2022/12/20             |  | DOCUMENT NUMBER   |  | DOC TYPE      | DOC PART | REVISION        |          |              |
| 4 PLACES  | ±       | DRWN: SANTHN   |  | 2022/12/21             |  | 1200659185        |  | PSD           | 000      | A11             |          |              |
| 3 PLACES  | ±       | CHK'D: GGA   |  | 2022/12/21             |  | INITIAL REVISION: |  |               |          |                 |          |              |
| 2 PLACES  | ± 0.05  | APPR: GGA  |  | 2022/12/21             |  | DRWN: JMARSZALEK  |  |               |          |                 |          |              |
| 1 PLACE   | ± 0.3   | APPR: RSILLER  |  | 2016/01/12             |  | 2016/04/08        |  |               |          |                 |          |              |
| 0 PLACES  | ± 0.5   | DRAFT WHERE APPLICABLE MUST REMAIN WITHIN DIMENSIONS   |  | THIRD ANGLE PROJECTION |  | DRAWING           |  | SERIES        |          | MATERIAL NUMBER | CUSTOMER | SHEET NUMBER |
|   |         |  |  | A3-SIZE                |  | 120065            |  | SEE PART LIST |          | GENERAL MARKET  |          | 4 OF 4       |